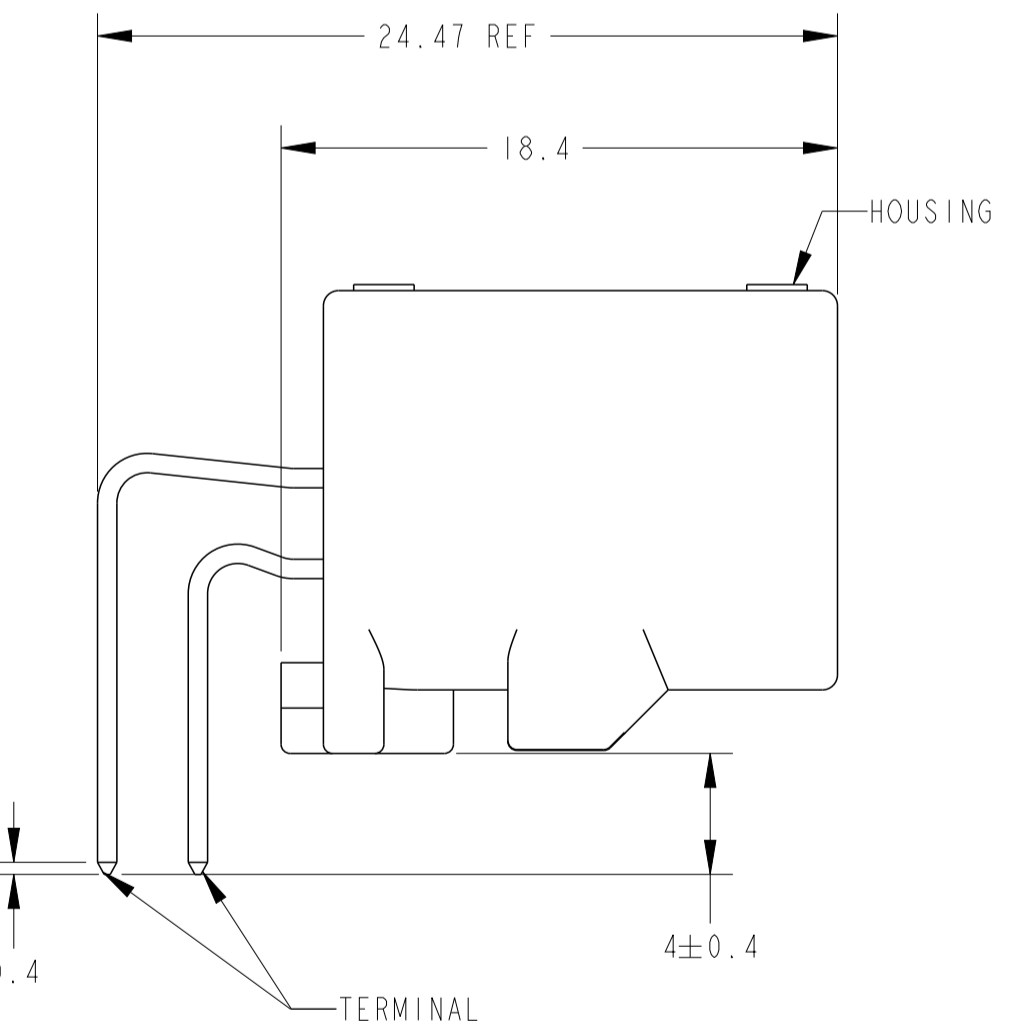
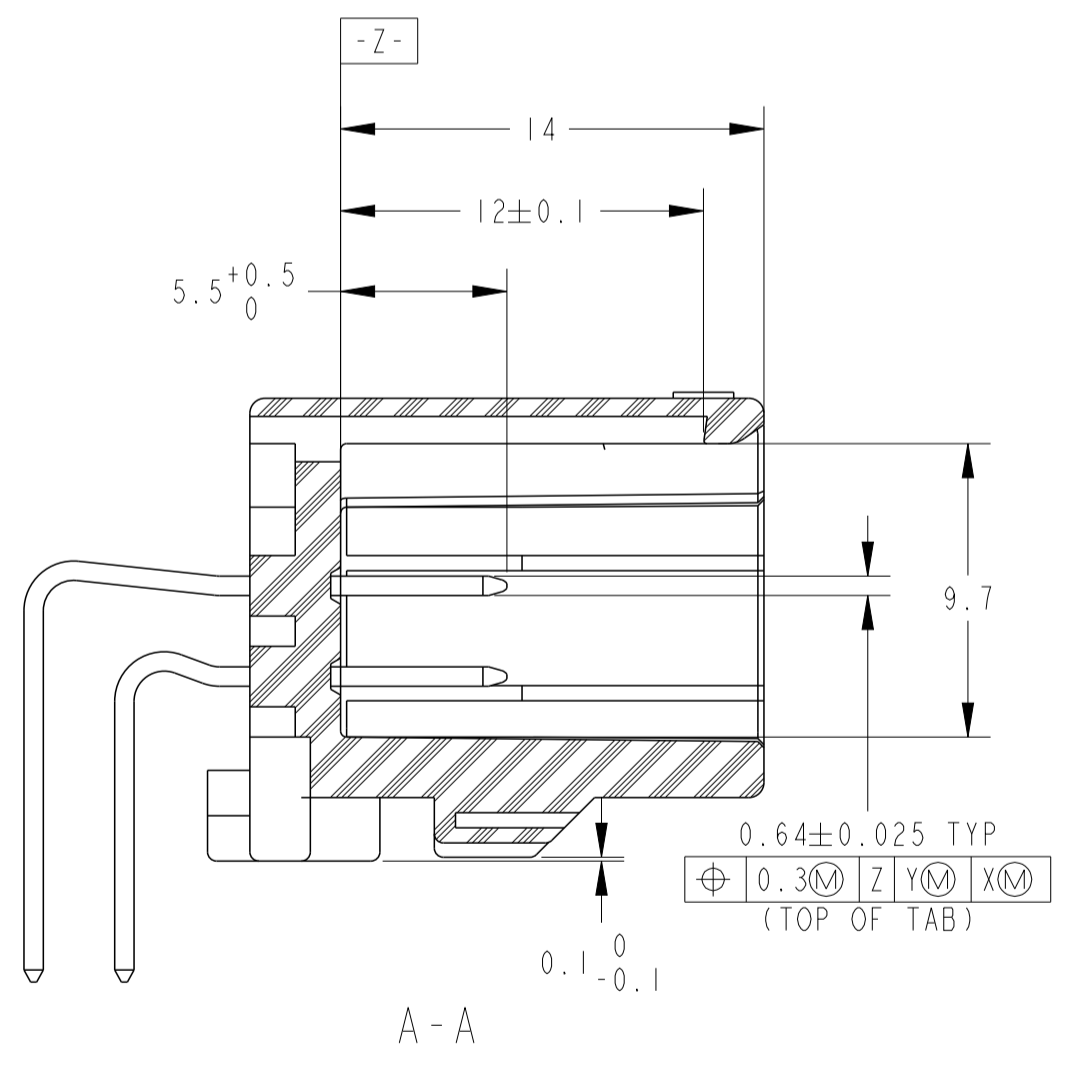
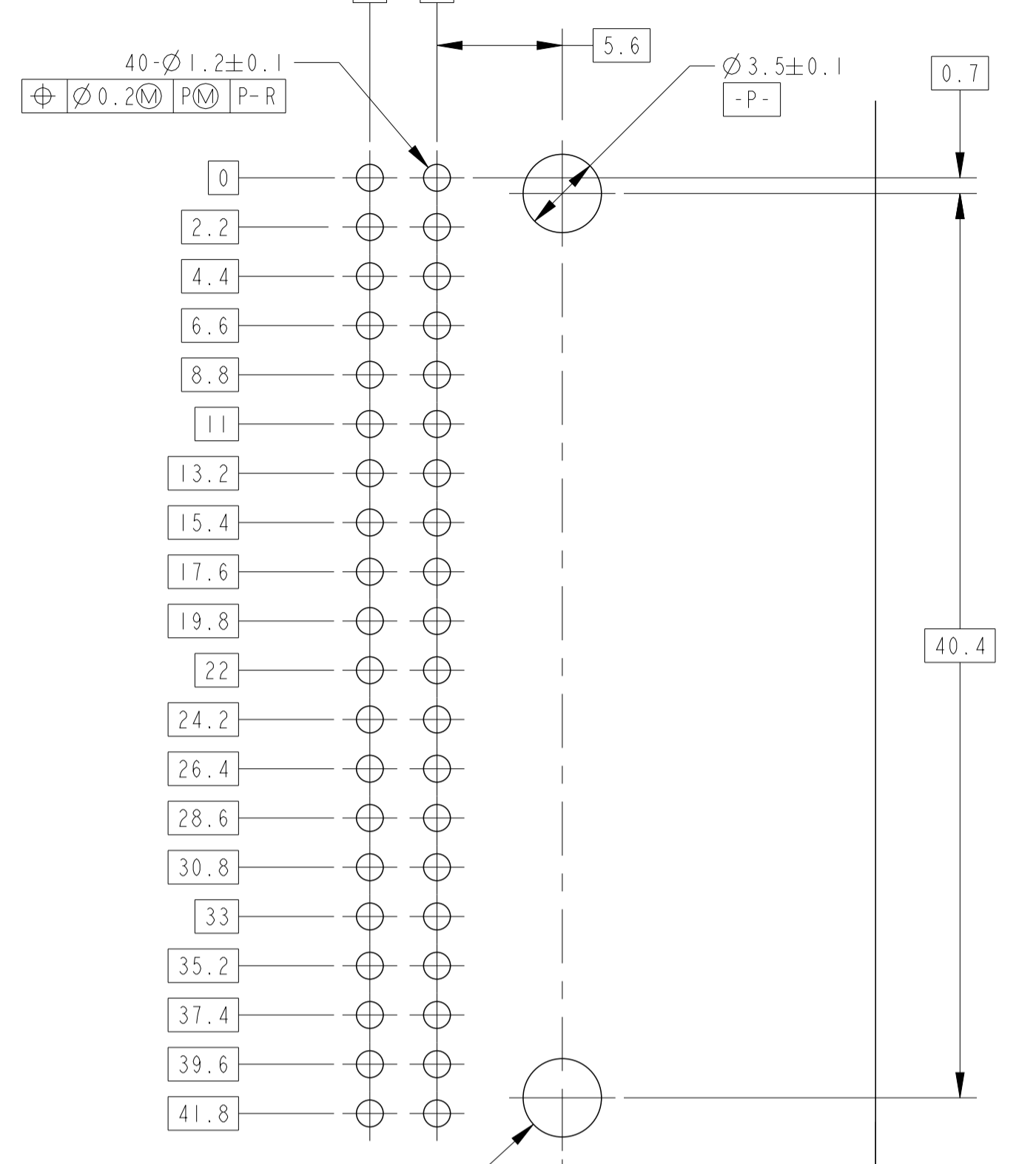
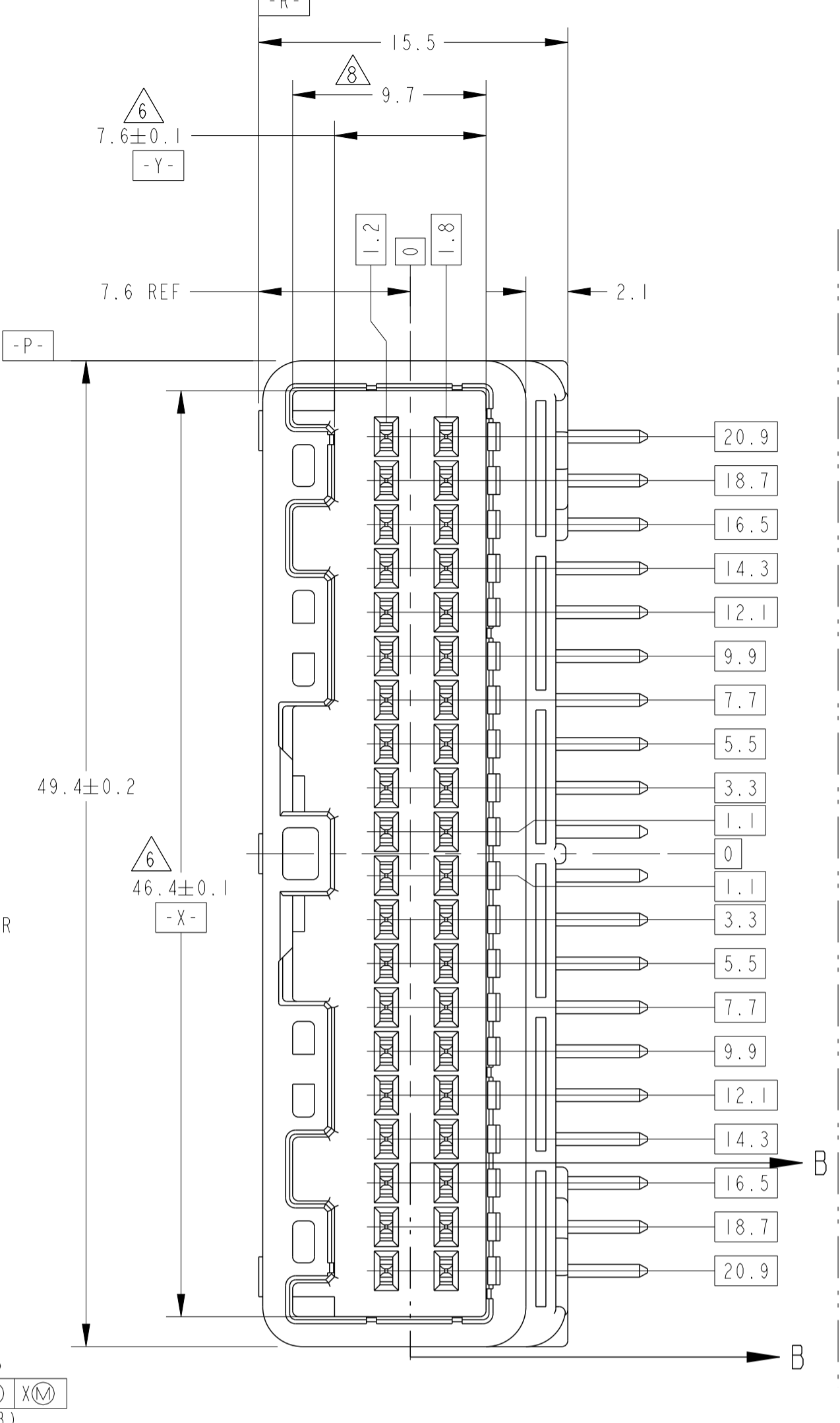
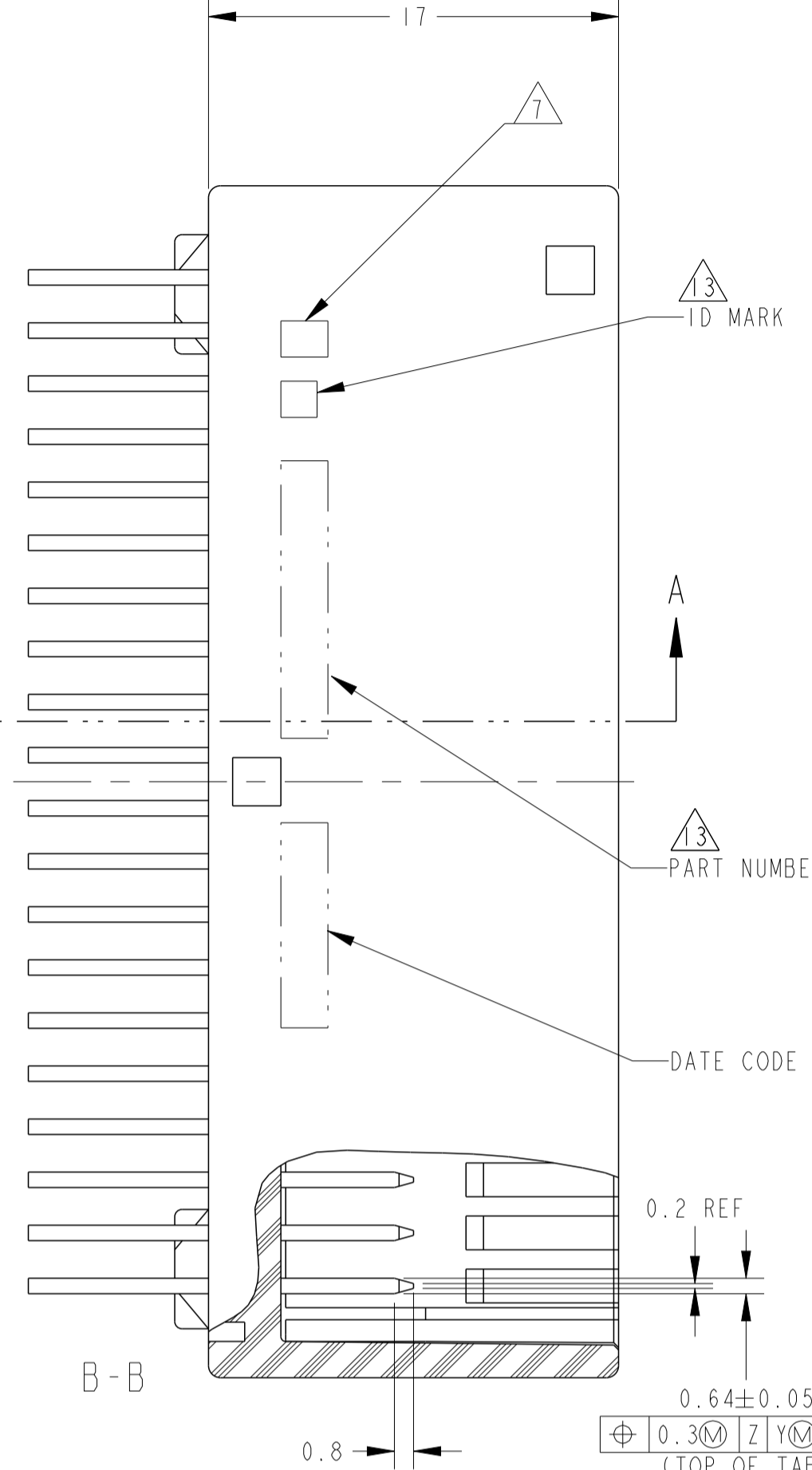
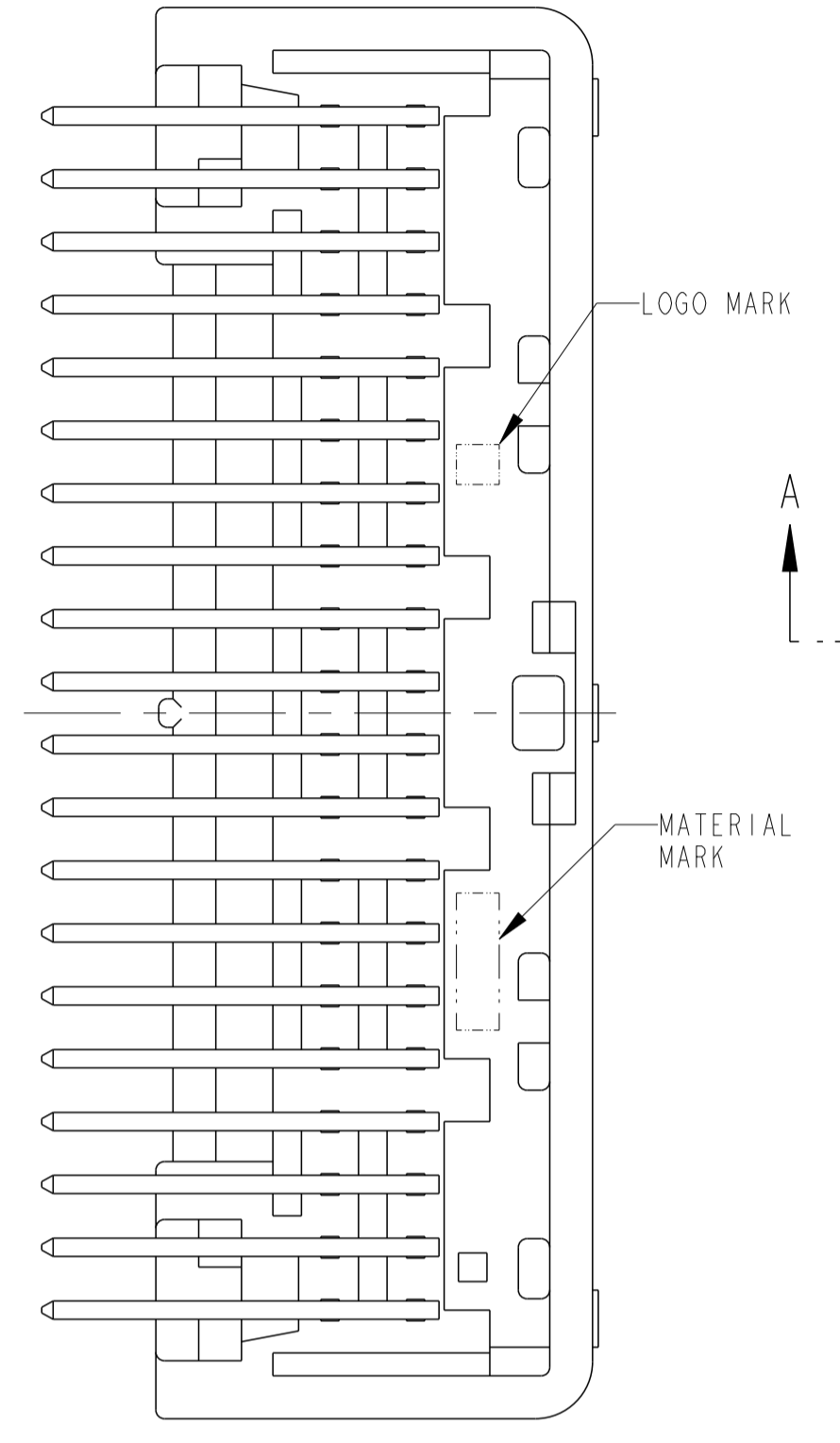
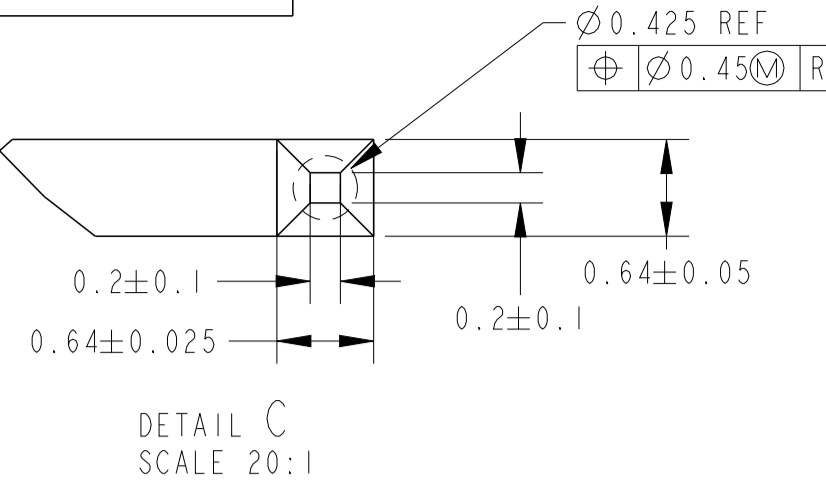
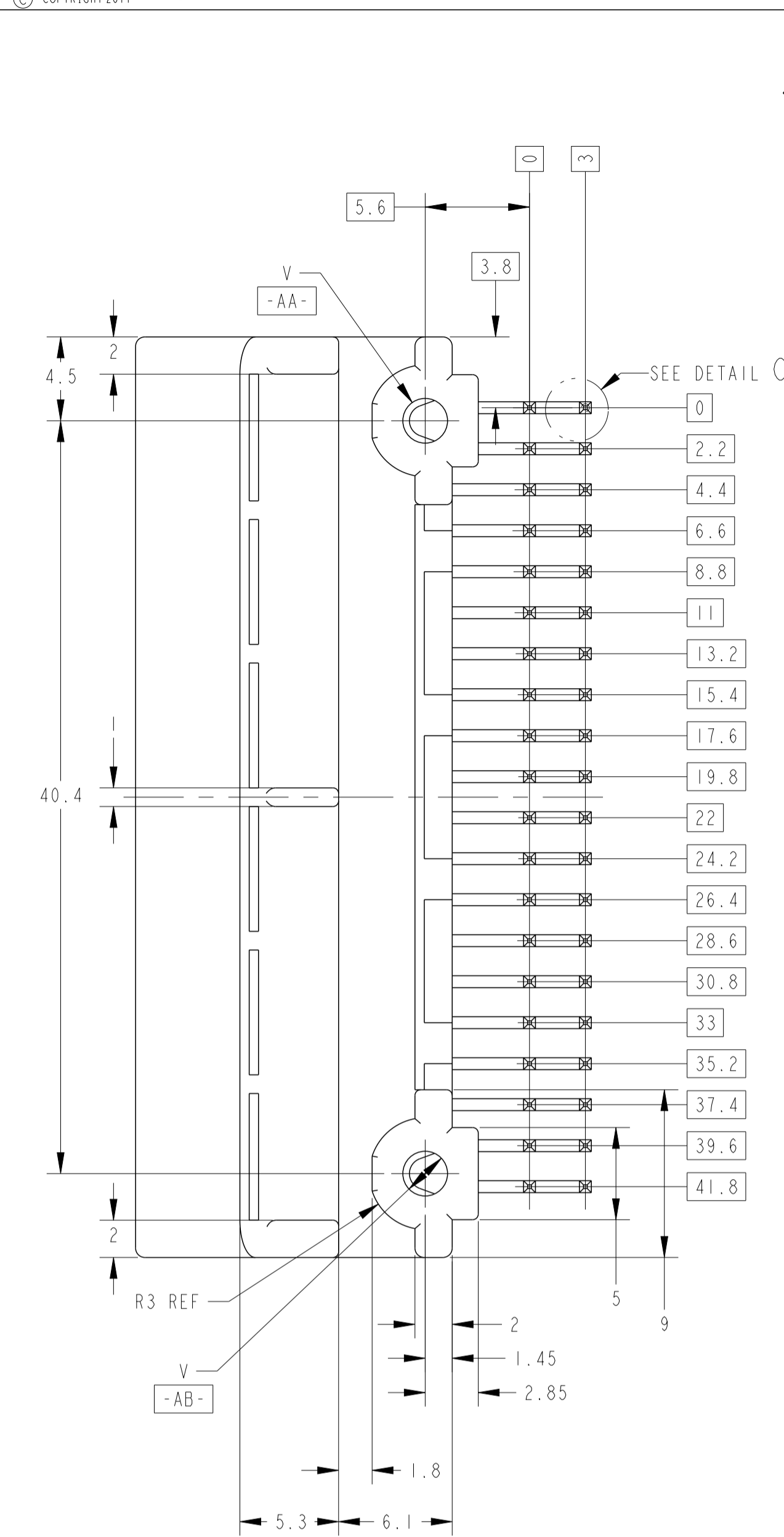


REV	DATE	BY	CHK	DESCRIPTION
C2	02APR2011	RK	HMR	REVISD ECO-11-005140
C3	29AUG2011	YN	YF	REVISD ECO-11-013395
C4	11APR2013	TS	HY	REVISD ECR-13-006139
C5	10APR2014	KT	RK	REVISD ECR-14-005369



- PLUG HOUSING TO BE MATED; SEE TABLE-1.
  - DETAIL OF TERMINALS TO BE MATED; SEE TABLE-2.
  - RECOMMENDED SCREW: PAN-HEADED, TYPE 2 TAPPING SCREW, NOMINAL DIAMETER 3mm LENGTH; SEE TABLE-3 (JIS B1115, B1122).
  - FASTENING TORQUE FOR SCREW (FOR REFERENCE): 0.392N·m MAX.
  - AS FOR THE HANDLING OF THIS PRODUCT, FOLLOW THE INSTRUCTION SHEET No.; 411-5928, 411-78080
- MEASURED AT 6mm FROM -Z-
  - IDENTIFICATION MARK OF THE CONTACT FINISH; SEE TABLE.
  - MEASURED AT 2mm FROM -Z-
  - PRELIMINARY - NOT RELEASED FOR PRODUCTION.
  - CIRCUIT NUMBER: SEE FIG.1
  - NO IDENTIFICATION MARK OF CONTACT FINISH AND ID MARK
  - GOLD PLATING POSITION: SEE SHEET 20F3.
  - ID MARK, PART NUMBER INDICATED.
- 嵌合相手ハウジング型番: TABLE-1 参照
  - 嵌合相手端子構成: TABLE-2 参照
  - 推奨取付ねじ: JIS B1115, B1122タッピングねじ, ねじ径3, 取付長さ: TABLE-3参照
  - ねじ締めトルク(参考値): 0.392N·m MAX
  - 本品の取扱いについては、取扱説明書 No.; 411-5928, 411-78080に準うこと
- Z- より6mmの位置で測定。
  - コンタクト仕上識別用マーク; SEE TABLE
  - Z- より2mmの位置で測定。
  - 試作の熱処理をされていない
  - 回路番号: FIG.1参照
  - コンタクト仕上識別用マーク及びIDマークの刻印は無し
  - 金めっき位置: SHEET 20F3 参照
  - ID MARK, PART NUMBERを表示。

TABLE-3

プリント基板板厚 (mm) THICKNESS OF PCB (mm)	1.2	1.6
固定用ねじ着下長さ (mm) NOMINAL LENGTH OF SCREW (mm)	5	6

TABLE-1

POS 極数	TYPE	FEMALE HSG メスハウジング PART NO
40	CRIMP	1318389(1), 1674312(111)
40	IDC	1318691 1318695

TABLE-2

POS 極数	APPLICABLE WIRE RANGE (FEMALE) 適用電線 (メス)
SIGNAL 025	CAVS/CAVUS 0.22~0.5mm <sup>2</sup> AVSS/AVSSH 0.3~0.5mm <sup>2</sup>

THIS DRAWING IS A CONTROLLED DOCUMENT.

DIMENSIONS: 単位: mm	TOLERANCES UNLESS OTHERWISE SPECIFIED: 公差: 単位 = ± 0.3	OWN CHK N. SAI APVD N. SAI	OBMAROO TOMAROO TOMAROO	NAME 025 SERIES 40P (PCB H-TYPE) CAP HSG ASSY
MATERIAL HOUSING: SEE TABLE CONTACT: BRASS	FINISH	WEIGHT SEE TABLE	SIZE A1	RESTRICTED TO

Customer Drawing 4:1 SHEET 1 OF 3 REV C5



4

3

2

1

THIS DRAWING IS UNPUBLISHED.

RELEASED FOR PUBLICATION

2011

LOC

DIST

REVISIONS

© COPYRIGHT 2011

ALL RIGHTS RESERVED.

J

P

LTR

DESCRIPTION

DATE

DWN

APVD

SEE SHEET 1

CAP ASSEMBLY & PLUG ASSEMBLY ENGAGEMENT DRAWING  
 キャップアッセンブリ & プラグアッセンブリ 嵌合図

THIS DRAWING IS A CONTROLLED DOCUMENT.

DWN 08MAR00

N. YASUDA

CHK 10MAR00

N. SAI

APVD 10MAR00

N. SAI

PRODUCT SPEC

SEE SHEET 1 OF 3

APPLICATION SPEC

SEE SHEET 1 OF 3

WEIGHT

SEE SHEET 1 OF 3

DIMENSIONS:  
単位: 耗  
mmTOLERANCES UNLESS  
OTHERWISE SPECIFIED:  
±0.3

一般公差 ±0.3

0-PLC ±0.3

1-PLC ±

2-PLC ±

3-PLC ±

4-PLC ±

ANGLES ±

MATERIAL  
材料  
SEE SHEET 1 OF 3FINISH  
仕上  
SEE SHEET 1 OF 3

CUSTOMER DRAWING

NAME  
名称025 SERIES 40P (PCB H-TYPE)  
CAP HSG ASSY

SIZE

CAGE CODE

DRAWING NO  
番号

A3

00779

G-1318384

RESTRICTED TO

SCALE  
尺度 4:1

SHEET 3 OF 3

REV C5

TE Connectivity

1470-19 (3/11)

# Mouser Electronics

Authorized Distributor

Click to View Pricing, Inventory, Delivery & Lifecycle Information:

[TE Connectivity:](#)

[1-1318384-3](#)