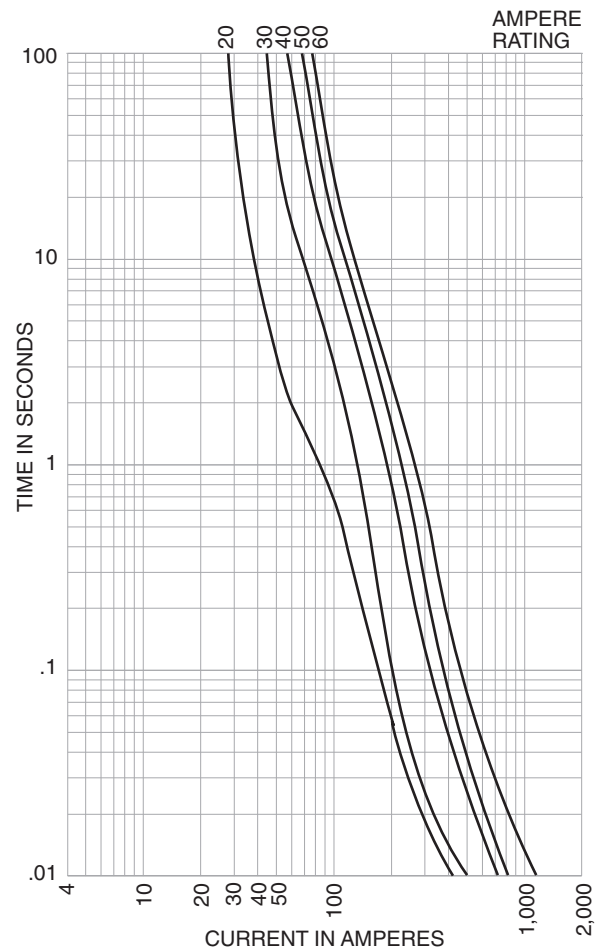
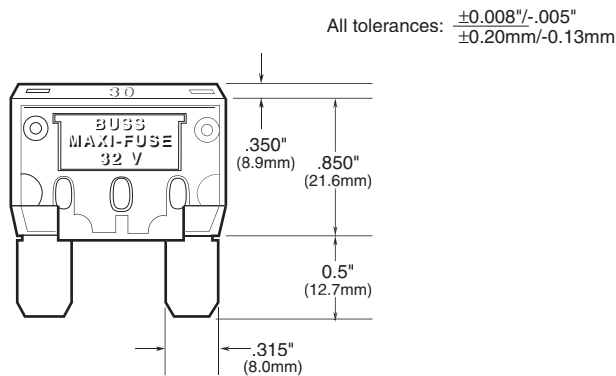


Time-Current Characteristic Curves—Average Melt



Dimensional Data



Catalog Symbol: MAX

Fast-Acting

Ampere Rating: 20 to 80 Amperes

Interrupting Rating: 1,000 Amperes

Ordering: Specify packaging and product code

SPECIFICATIONS

Product Code	Body Color	Voltage Rating DC
MAX-20	Yellow	32V
MAX-30	Green	32V
MAX-40	Orange	32V
MAX-50	Red	32V
MAX-60	Blue	32V
MAX-70	Tan	32V
MAX-80	Natural	32V

Recommended Bussmann Fuseholders

Blade-Type	Part	Description	Fuse Size	Wire Size
MAX	HHX	Fuseholder w/Cover	20-60 Amps	#6 Lead Wire; 5" Length
	HHX-B	Body Only		
	HHX-C	Cover Only	—	—

PACKAGING CODE

Packaging Code	Description
Blank	1 pieces of fuses packed in a tin
BK	250 pieces of fuses packed in a carton

North America

Cooper Electronic Technologies
1225 Broken Sound Parkway NW
Suite F
Boca Raton, FL 33487-3533
Tel: 1-561-998-4100
Fax: 1-561-241-6640
Toll Free: 1-888-414-2645

Cooper Bussmann
P.O. Box 14460
St. Louis, MO 63178-4460
Tel: 1-636-394-2877
Fax: 1-800-544-2570

Europe

Cooper Electronic Technologies
Cooper (UK) Limited
Burton-on-the-Wolds
Leicestershire • LE12 5TH UK
Tel: +44 (0) 1509 882 737
Fax: +44 (0) 1509 882 786

Cooper Electronic Technologies
Avda. Santa Eulalia, 290
08223
Terrassa, (Barcelona), Spain
Tel: +34 937 362 812
+34 937 362 813
Fax: +34 937 362 719

Asia Pacific

Cooper Electronic Technologies
1 Jalan Kilang Timor
#06-01 Pacific Tech Centre
Singapore 159303
Tel: +65 278 6151
Fax: +65 270 4160

Mouser Electronics

Authorized Distributor

Click to View Pricing, Inventory, Delivery & Lifecycle Information:

[Eaton:](#)

[BK/MAX-30](#) [MAX-70](#) [BK/MAX-20](#) [MAX-80](#) [MAX-25](#) [MAX-35](#) [BK/MAX-60](#) [BK/MAX-50](#) [BK/MAX-40](#) [BK/MAX-70](#)
[BK/MAX-80](#) [BK/MAX-25](#) [MAX-20](#) [MAX-60](#) [MAX-30](#) [MAX-40](#) [MAX-50](#)