

4

3

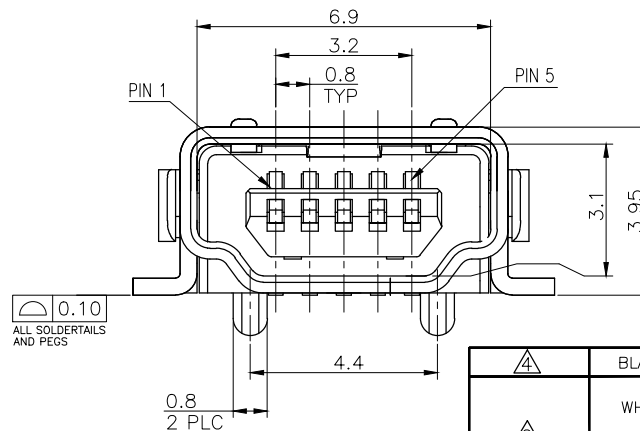
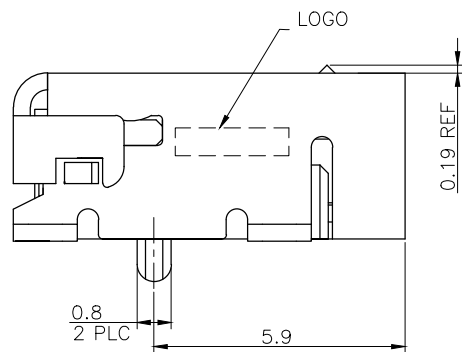
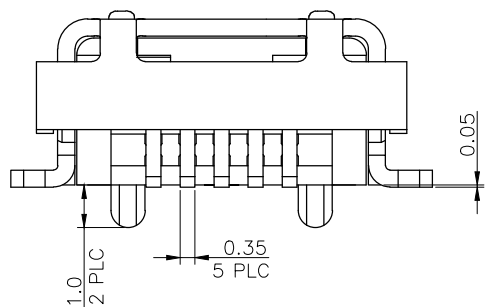
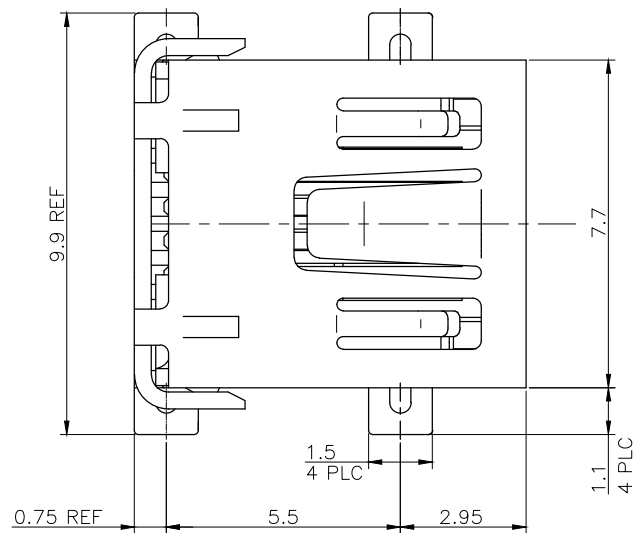
2

1

THIS DRAWING IS UNPUBLISHED. RELEASED FOR PUBLICATION AUG ,2006.

© COPYRIGHT BY TYCO ELECTRONICS CORPORATION. ALL RIGHTS RESERVED.

LOC		DIST		REVISIONS			DATE	DWN	APVD
P	LTR	DESCRIPTION			DATE	DWN	APVD		
D1		REVISED (ECR-14-009618)			23JAN15	S.C	H.L		

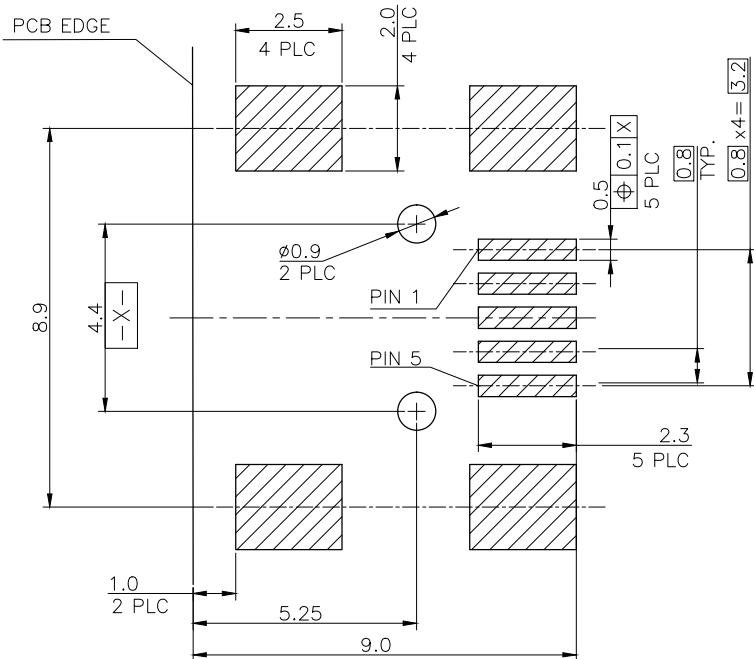


0.10 ALL SOLDER TAILS AND PEGS

⚠	BLACK	REEL	2-1734327-2
	WHITE	REEL	1-1734327-2
⚠	BLACK	TRAY	1-1734327-1
		REEL	1734327-2
FINISH (SEE SHEET 2)	HSG. COLOR	TRAY	1734327-1
		PACKAGE	PART NUMBER

THIS DRAWING IS A CONTROLLED DOCUMENT.		DWN F. YANG 16DEC2008	STE TE Connectivity	
DIMENSIONS: MM		CHK S. CHIEN 16DEC2008		
TOLERANCES UNLESS OTHERWISE SPECIFIED:		APVD W. KODAMA 16DEC2008	NAME	
0 PLC ± 0.38		PRODUCT SPEC		
1 PLC ± 0.25		108-57062		
2 PLC ± 0.13		QUALIFICATION TEST REPORT		
3 PLC ± 0.05		501-57070		
4 PLC ± -		SIZE	CAGE CODE	DRAWING NO
ANGLES ± 3'		WEIGHT	A300779	C=1734327
MATERIAL SEE SHEET 2	FINISH SEE SHEET 2	CUSTOMER DRAWING		RESTRICTED TO
		SCALE	SHEET 1 of 4	REV D1

LOC	DIST	REVISIONS					
DW		P	LTR	DESCRIPTION	DATE	DWN	APVD
				SEE SHEET 1.			

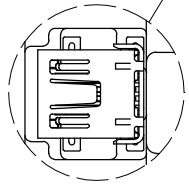
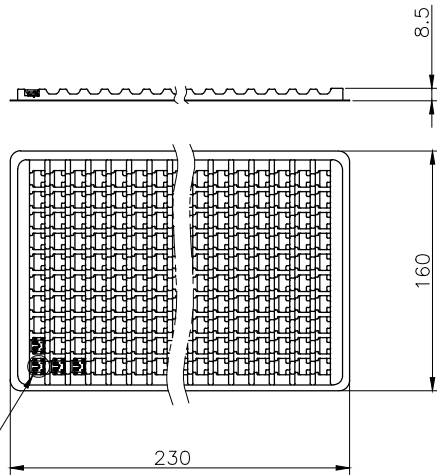
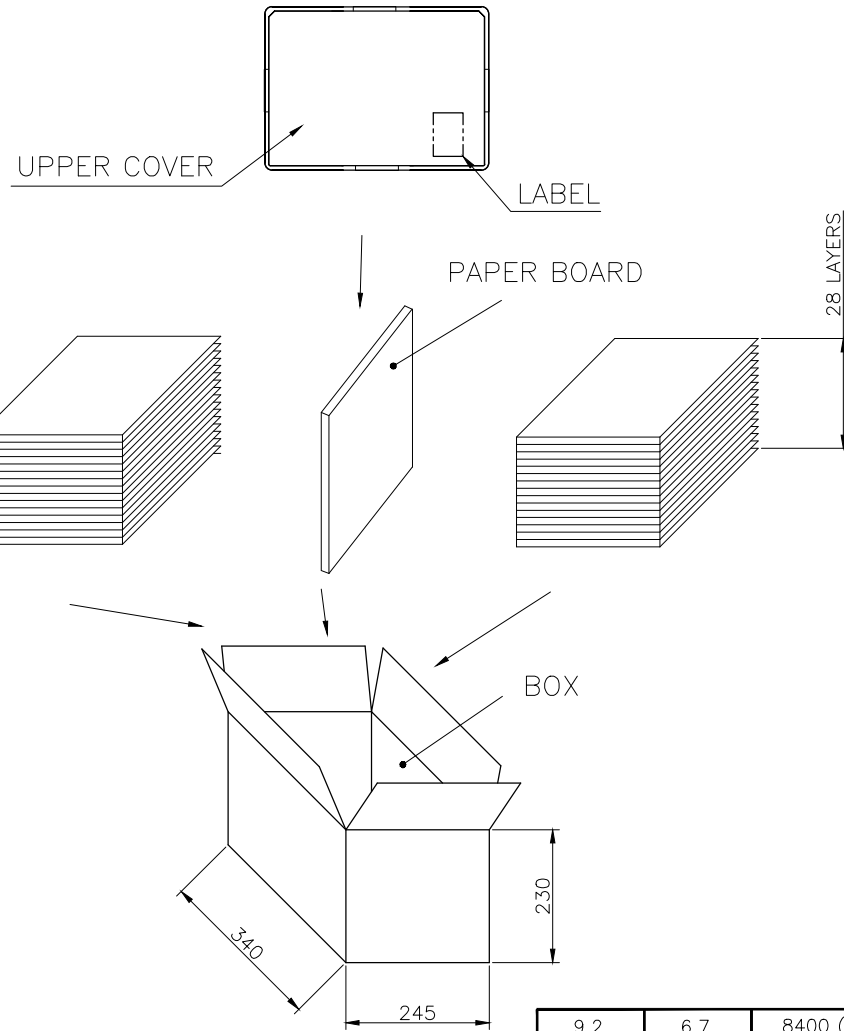


RECOMMENDED PCB LAYOUT (MOUNTING SIDE)
(THICKNESS=1.57mm) (TOLERANCE=±0.05mm)

- NOTES:
- MATERIAL:
HOUSING: PA9T ,WITH 30% GF, UL 94V-0, COLOR: SEE TABLE.
CONTACT: PHOSPHOR BRONZE, THICKNESS:0.25±0.05mm.
SHELL: PHOSPHOR BRONZE, THICKNESS:0.40±0.05mm.
 - FINISH:
CONTACTS: GOLD FLASH OVER
0.76µm [30µ"] MIN. PALLADIUM-NICKEL PLATED ON CONTACT AREA,
2.54µm [100µ"] MIN. MATTE-TIN PLATED ON OLDER TAILS:
1.27µm [50µ"] MIN. NICKEL UNDERPLATED ALL OVER.
SHELL: 1.27µm [50µ"] MIN. NICKEL PLATED ALL OVER
 - REFLOW SOLDER CAPABLE TO 260°C PER TE SPEC 109-201
CONDITION B.
 - FINISH:
CONTACTS: GOLD FLASH OVER
0.76µm [30µ"] MIN. PALLADIUM-NICKEL PLATED ON CONTACT AREA,
3.0µm [118µ"] MIN. MATTE-TIN PLATED ON SOLDER TAILS :
1.27µm [50µ"] MIN. NICKEL UNDERPLATED OVERALL.
SHELL: 0.76~2.28µm [30~90µ"] MATTE TIN
1.27µm [50µ"] MIN. NICKEL UNDERPLATED

THIS DRAWING IS A CONTROLLED DOCUMENT.		DWN	STE TE Connectivity	
DIMENSIONS: MM		CHK		
TOLERANCES UNLESS OTHERWISE SPECIFIED:		APVD	NAME	
0 PLC ± -		PRODUCT SPEC	MINI USB CONNECTOR	
1 PLC ± -		APPLICATION SPEC	A SERIES, RCPT, R/A, SMT TYPE	
2 PLC ± -		WEIGHT	SIZE	RESTRICTED TO
3 PLC ± -			A3	
4 PLC ± -			00779	
ANGLES ± -			C=1734327	
MATERIAL	FINISH	CUSTOMER DRAWING		SCALE
		SHEET 2 of 4		REV D1

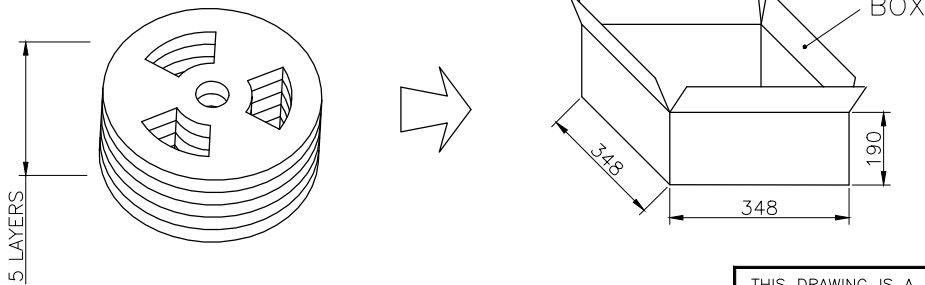
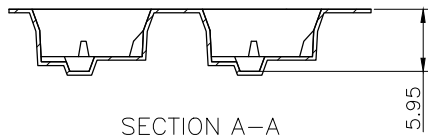
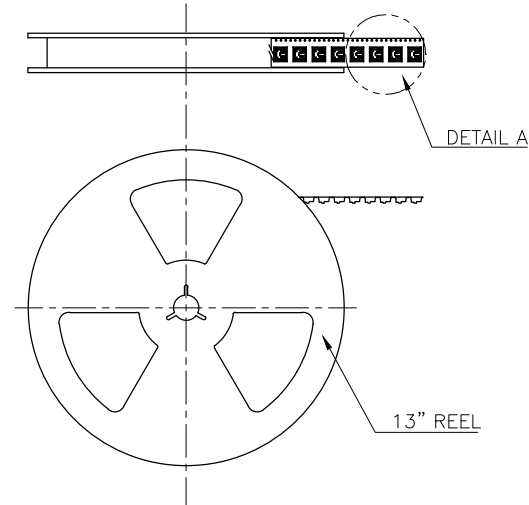
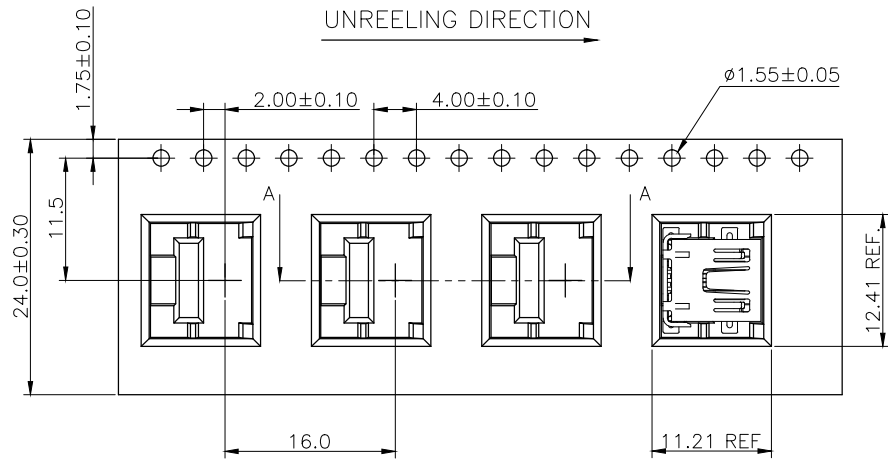
LOC	DIST	REVISIONS			DATE	DWN	APVD
DW		P	LTR	DESCRIPTION			
				SEE SHEET 1.			



9.2	6.7	8400 (56 TRAYS)	150
G.W(KGS)	N.W(KGS)	QUANTITY/ BOX	PCS/ TRAY

THIS DRAWING IS A CONTROLLED DOCUMENT.		DWN	STE TE Connectivity	
DIMENSIONS: MM		CHK		
TOLERANCES UNLESS OTHERWISE SPECIFIED:		APVD	NAME	
0 PLC ± -		PRODUCT SPEC	MINI USB CONNECTOR	
1 PLC ± -		APPLICATION SPEC	A SERIES, RCPT, R/A, SMT TYPE	
2 PLC ± -		WEIGHT	SIZE	RESTRICTED TO
3 PLC ± -			A3	
4 PLC ± -			00779	
ANGLES ± -			C=1734327	
MATERIAL	FINISH	CUSTOMER DRAWING	SCALE	SHEET 3 of 4
				REV D1

LOC DW	DIST	REVISIONS		
P	LTR	DESCRIPTION	DATE	DWN APVD
		SEE SHEET 1.		



- NOTES:
1. APPLICABLE DOCUMENT: EIA-481-2
 2. PACKAGE: 700 PCS/REEL, 5 REELS/BOX
W.G.:6.5Kg, N.G.: 5.5Kg
 3. QUANTITY: 3500 PCS.

6.5	5.5	3500	700
G.W(KGS)	N.W(KGS)	QUANTITY/ BOX	PCS/ REEL

THIS DRAWING IS A CONTROLLED DOCUMENT.		DWN	STE TE Connectivity	
DIMENSIONS: MM		CHK		
TOLERANCES UNLESS OTHERWISE SPECIFIED:		APVD	NAME	
0 PLC ± -		PRODUCT SPEC	MINI USB CONNECTOR	
1 PLC ± -		APPLICATION SPEC	A SERIES, RCPT, R/A, SMT TYPE	
2 PLC ± -		WEIGHT	SIZE	RESTRICTED TO
3 PLC ± -			A3	
4 PLC ± -			00779	
ANGLES ± -			C=	
FINISH			1734327	
MATERIAL		CUSTOMER DRAWING	SCALE	SHEET 4 of 4
				REV D1