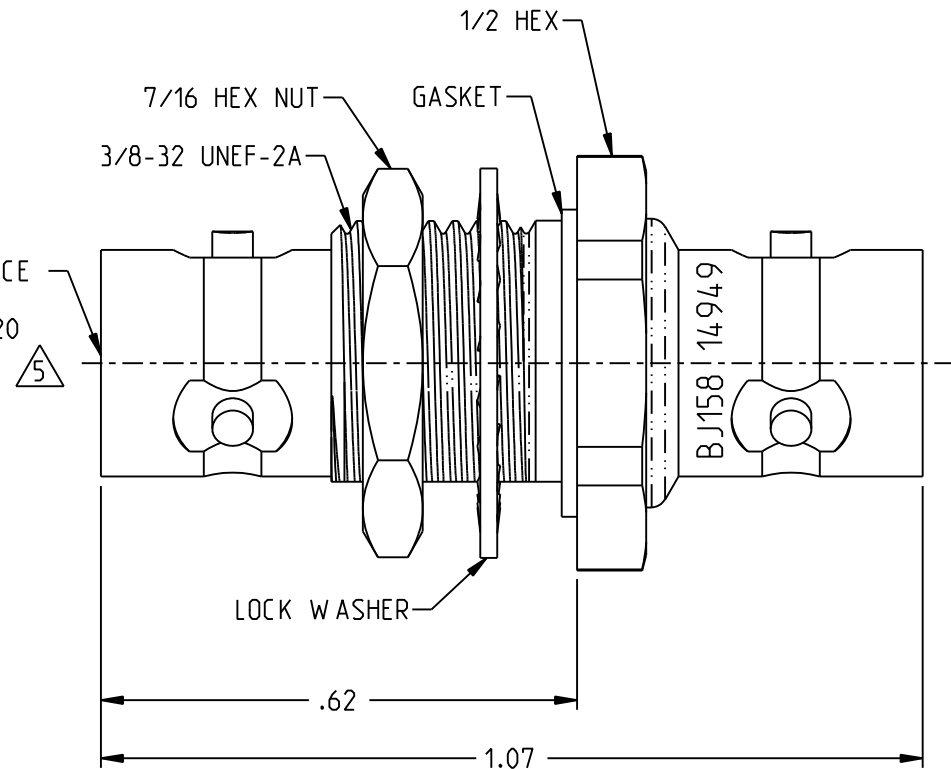
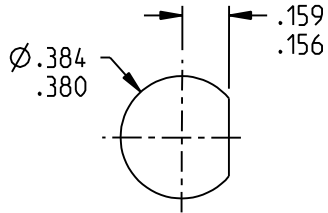


2X TRS JACK INTERFACE DIMENSIONS PER SPC-09500-43-20



NOTES: UNLESS OTHERWISE SPECIFIED.

1. MATERIAL AND FINISH:
 - 1.1 BODY & PANEL NUT: NICKEL PLATED BRASS
 - 1.2 CENTER CONTACT: GOLD PLATED BERYLLIUM COPPER
 - 1.3 INTERMEDIATE CONTACT: GOLD PLATED BRASS
 - 1.4 DIELECTRIC (INNER & OUTER): PTFE (TEFLON)
 - 1.5 LOCK WASHER: NICKEL PLATED COPPER ALLOY
 - 1.6 GASKET: SILICONE RUBBER
2. ELECTRICAL:
 - 2.1 IMPEDANCE: NON-CONSTANT
 - 2.2 FREQUENCY (MAX): 500 MHZ
3. PANEL NUT TORQUE (MAX): 25 INCH POUND
4. PANEL THICKNESS (MAX): .190



RECOMMENDED PANEL CUTOUT

5. DIAMETER OVER BAYONET LUGS MODIFIED TO ACCOMMODATE PANEL CUTOUT. MODIFICATION DOES NOT AFFECT PERFORMANCE OR FUNCTION.

	3RD ANGLE PROJECTION 	TROMPETER		
	This PROPRIETARY Document is property of Cinch Connectivity Solutions. It is confidential in nature, non-transferable, and issued with the clear understanding that it is not traced or copied without permission and is returnable upon demand.	RoHS2 <input checked="" type="checkbox"/> 2011/65/EU	Title: CONTACT, TRS JACK, BHD FEEDTHRU	
INTERPRET DRAWING IN ACCORDANCE WITH ASME Y14.5-2009.	UNLESS OTHERWISE SPECIFIED UNITS: INCH .XX ±.02 .XXX ±.005 ANGLES ±2°	Model No. BJJ158	Date: 3/28/2016	Sheet 1 OF 1
	Size A	DO NOT SCALE DRAWING		

Mouser Electronics

Authorized Distributor

Click to View Pricing, Inventory, Delivery & Lifecycle Information:

[Cinch Connectivity Solutions:](#)

[BJ158](#)