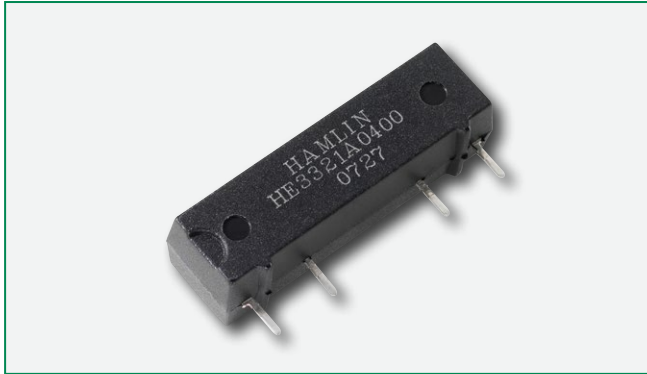


HE3300 Miniature Single In-line Reed Relay



Description

The HE3300 is a miniature reed relay in a SIL package with a choice of normally open, normally open high voltage or changeover contacts capable of switching up to 300Vdc at 10W. It is available with 5V, 12V, and 24V coils and has external magnetic shield options.

Features

- Miniature single in-line package
- High voltage switching version
- Normally open and change over contact configurations available
- External magnetic shield option
- RoHS Compliant
- UL Recognized to UL 508 as an Industrial Control Switch

Agency Approvals

| Agency | Agency File Number |
|--------|--------------------|
| | E47258 |

Note: Not all parts are UL Recognized. Contact Littelfuse for specific parts and agency approval ratings.

Benefits

- Single in-line configuration allows high packing densities, minimizing space and cost
- Lower power coil consumption than competing electromechanical devices
- Hermetically sealed switching contact is immune to its environment
- Transfer molded package gives maximum component protection

Applications

- Security Systems
- Telecom Equipments
- Process Control Systems
- Automatic Test Equipments
- Instrumentation

Dimensions

Dimensions in mm (inch)

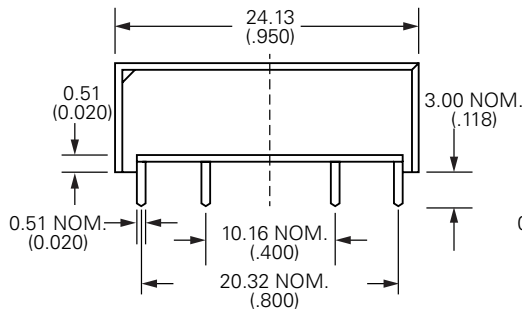


Fig. 1: HE3321A, HE3351A

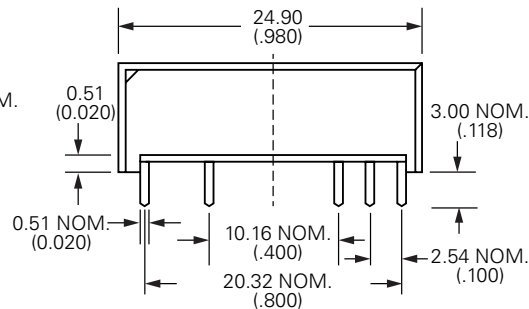


Fig. 2: HE3321C

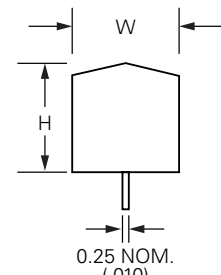


Fig. 3: HE3300 (All)

Table 1: Dimension

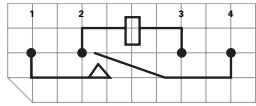
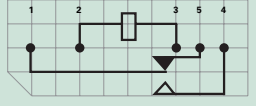
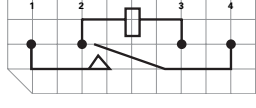
| Relay Type | Body Type | L | W | H |
|------------|-----------------|--------------|-------------|-------------|
| HE3300 | Transfer Molded | 24.13 (.950) | 7.00 (.276) | 7.40 (.291) |
| | External Shield | 24.90 (.980) | 7.60 (.299) | 7.80 (.307) |

HE3300 Miniature Single In-line Reed Relay

Table 2: Electrical and Operating Characteristics @ 25°C

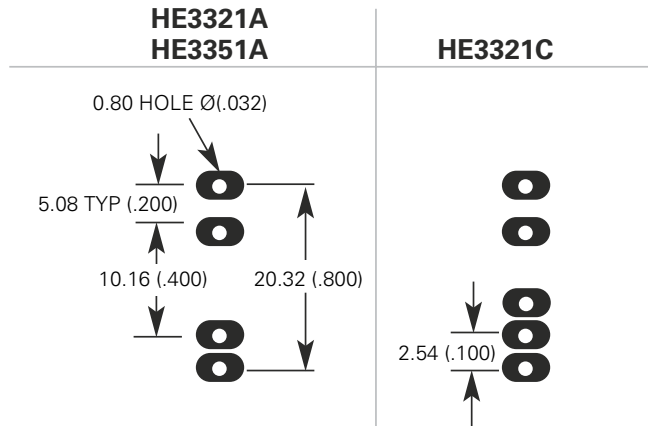
| Column Number | | 1 | 2 | 3 | |
|-------------------------------|--|--|--|--|------------------|
| Contact Type | | Form A SPST-NO Standard | Form A SPST-NO High Voltage | Form C SPST-CO Standard | |
| Relay Types | | HE3321A | HE3351A | HE3321C | |
| Contact Rating ¹ | Power, Switching | Watt - max. | 10 | 10 | 5 |
| | Voltage, Switching | Vdc - max. | 200 | 300 | 175 |
| | Current, Switching | A - max. | 0.5 | 0.5 | 0.25 |
| | Current, Carry | A - max. | 1.2 | 1.5 | 1.5 |
| Voltage Hold-off ⁴ | Across Open Contacts Contacts to Coil | Vdc - min. | 250 | 450 | 200 |
| | | Vac - min. | 2500 | 2500 | 2500 |
| Resistance ⁵ | Contact, Initial Insulation Across Open Contacts Insulation Between Isolated Terminals | Ω max. | 0.150 | 0.150 | 0.200 |
| | | Ω min. | 10 ¹⁰ | 10 ¹⁰ | 10 ¹⁰ |
| | | Ω min. | 10 ¹⁰ | 10 ¹⁰ | 10 ¹⁰ |
| Timing | Operate Time Release Time | ms - max. | 1.0 | 1.0 | 3.0 |
| | | ms - max. | 1.0 | 1.0 | 3.0 |
| Environmental | Temperature, Operating Temperature, Storage | °C | -40 to +85 | -20 to +85 | -40 to +85 |
| | | °C | -40 to +105 | -40 to +105 | -40 to +105 |
| | Vibration Resistance Shock Resistance | G - max. 10-2000 Hz. | 20 | 20 | 20 |
| | | G - max. 11 ms ½ sine | 50 | 50 | 50 |

Table 3: Coil Characteristics @ 25°C

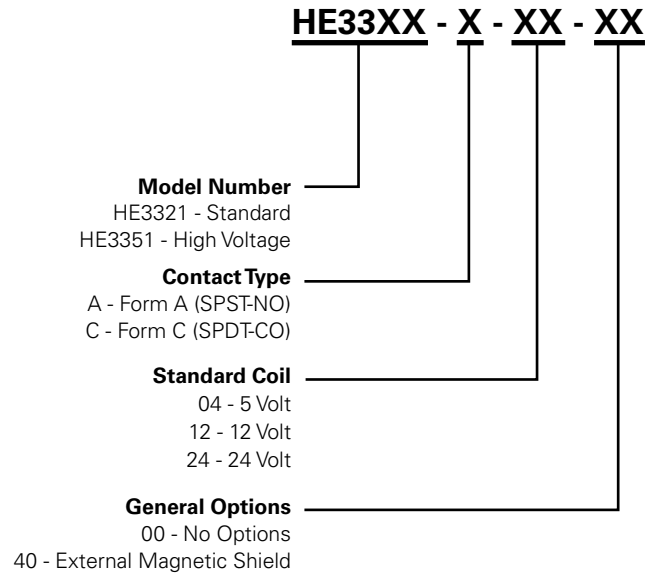
| Contact Form and Type | Electrical and Operating Characteristics | Dimensions | Part Number | Nominal Coil Voltage Vdc | Coil Resistance ±10% Ohms | Must Operate Vdc | Must Release Vdc | Maximum Coil Voltage Vdc | Top View 2.54mm (0.1") Grid Dot on Case: Pin 1 Numbers not printed on case. |
|-------------------------------|--|-----------------|-------------|--------------------------|---------------------------|------------------|------------------|--------------------------|---|
| 1A SPST-NO | See Table 2 Column 1 | See Figure 1 | HE3321A0400 | 5 | 500 | 3.75 | 0.5 | 22 |  |
| | | | HE3321A1200 | 12 | 500 | 9.0 | 1.0 | 22 | |
| | | | HE3321A2400 | 24 | 2000 | 18.0 | 2.0 | 44 | |
| 1C SPDT-CO | See Table 2 Column 3 | See Figure 2 | HE3321C0500 | 5 | 125 | 3.75 | 0.5 | 11 |  |
| | | | HE3321C1200 | 12 | 500 | 9.0 | 1.0 | 22 | |
| | | | HE3321C2400 | 24 | 2000 | 18.0 | 2.0 | 44 | |
| 1A SPST-NO High Voltage | See Table 2 Column 2 | See Figure 1 | HE3351A0500 | 5 | 125 | 3.75 | 0.5 | 11 |  |
| | | | HE3351A1200 | 12 | 500 | 9.0 | 1.0 | 22 | |
| | | | HE3351A2400 | 24 | 2000 | 18.0 | 2.0 | 44 | |

HE3300 Miniature Single In-line Reed Relay

HE3300 PCB LAYOUT (Bottom View)



Part Numbering System



Note: Not all combinations of Part Number suffixes are available.
Contact Littelfuse for details.

Packaging

| Packaging Option | Packaging Specification | Quantity | Quantity & Packaging Code | Taping Width |
|------------------|-------------------------|----------|---------------------------|--------------|
| Bulk | Bulk | 500 | N/A | N/A |

Mouser Electronics

Authorized Distributor

Click to View Pricing, Inventory, Delivery & Lifecycle Information:

Littelfuse:

[HE3351A1200](#) [HE3321C2400](#) [HE3321A0400](#) [HE3351A2400](#) [HE3351A0500](#) [HE3321C1200](#) [HE3321A1200](#)
[HE3321A2400](#) [HE3321C0500](#) [HE3321C0400](#)