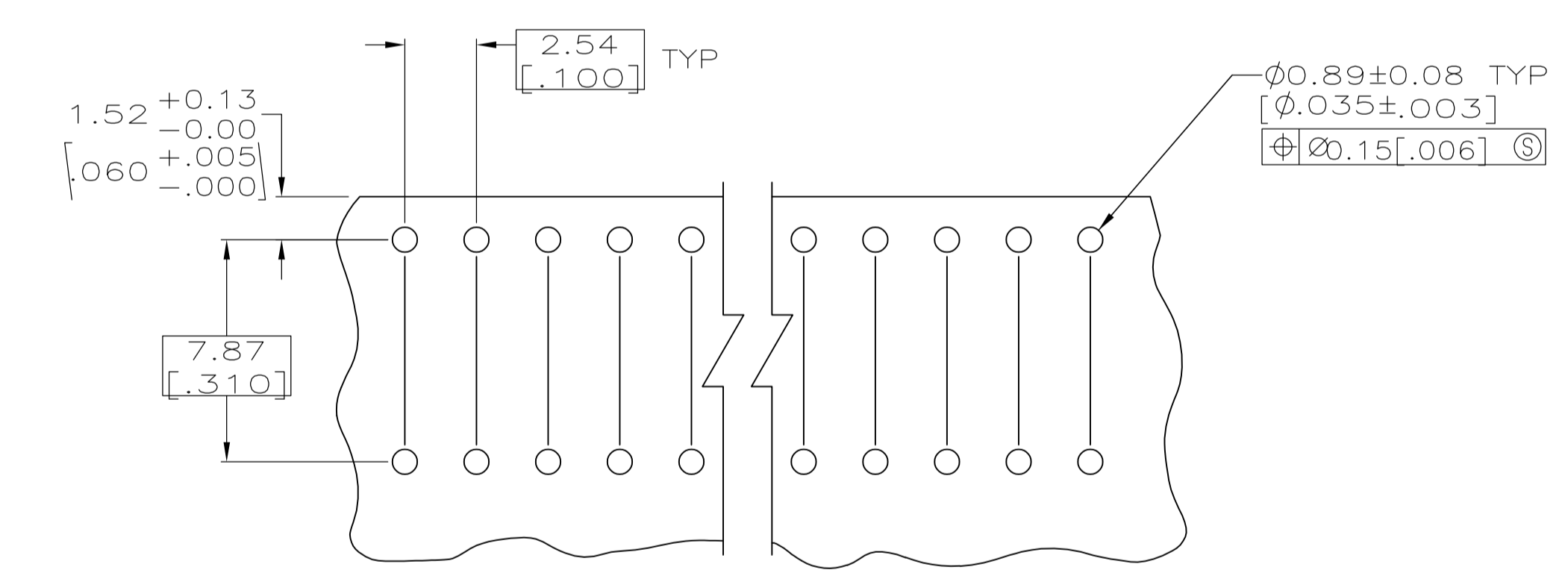
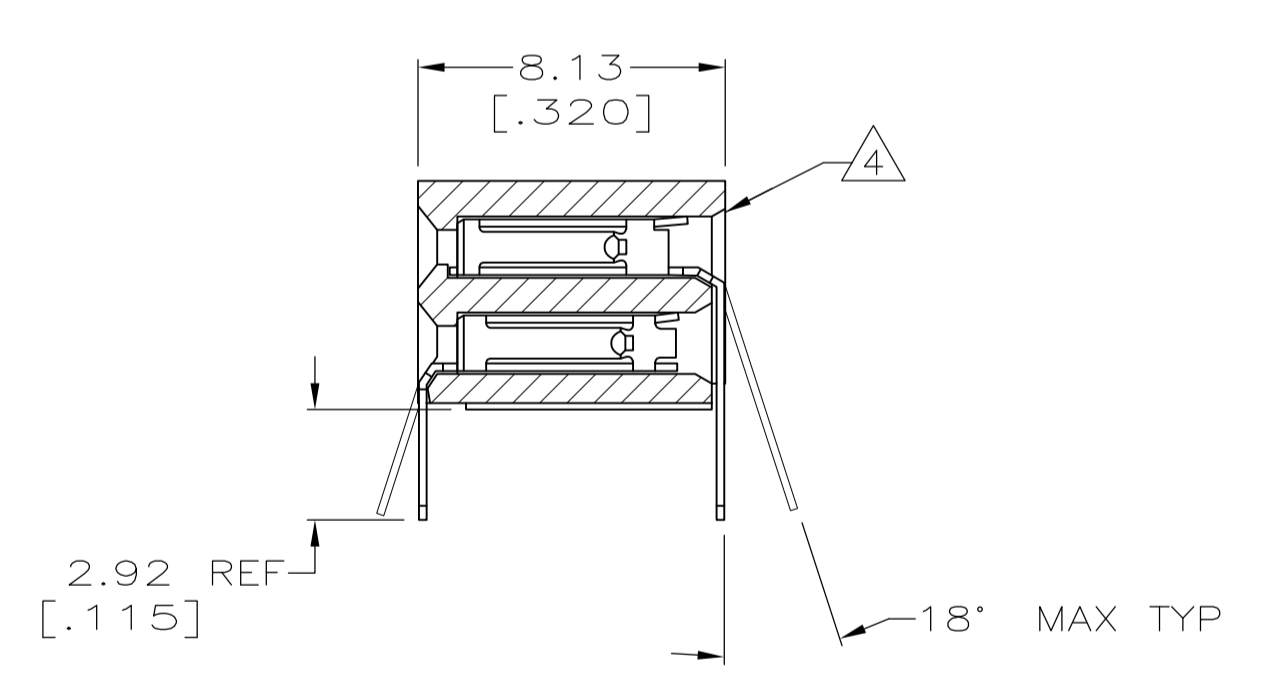
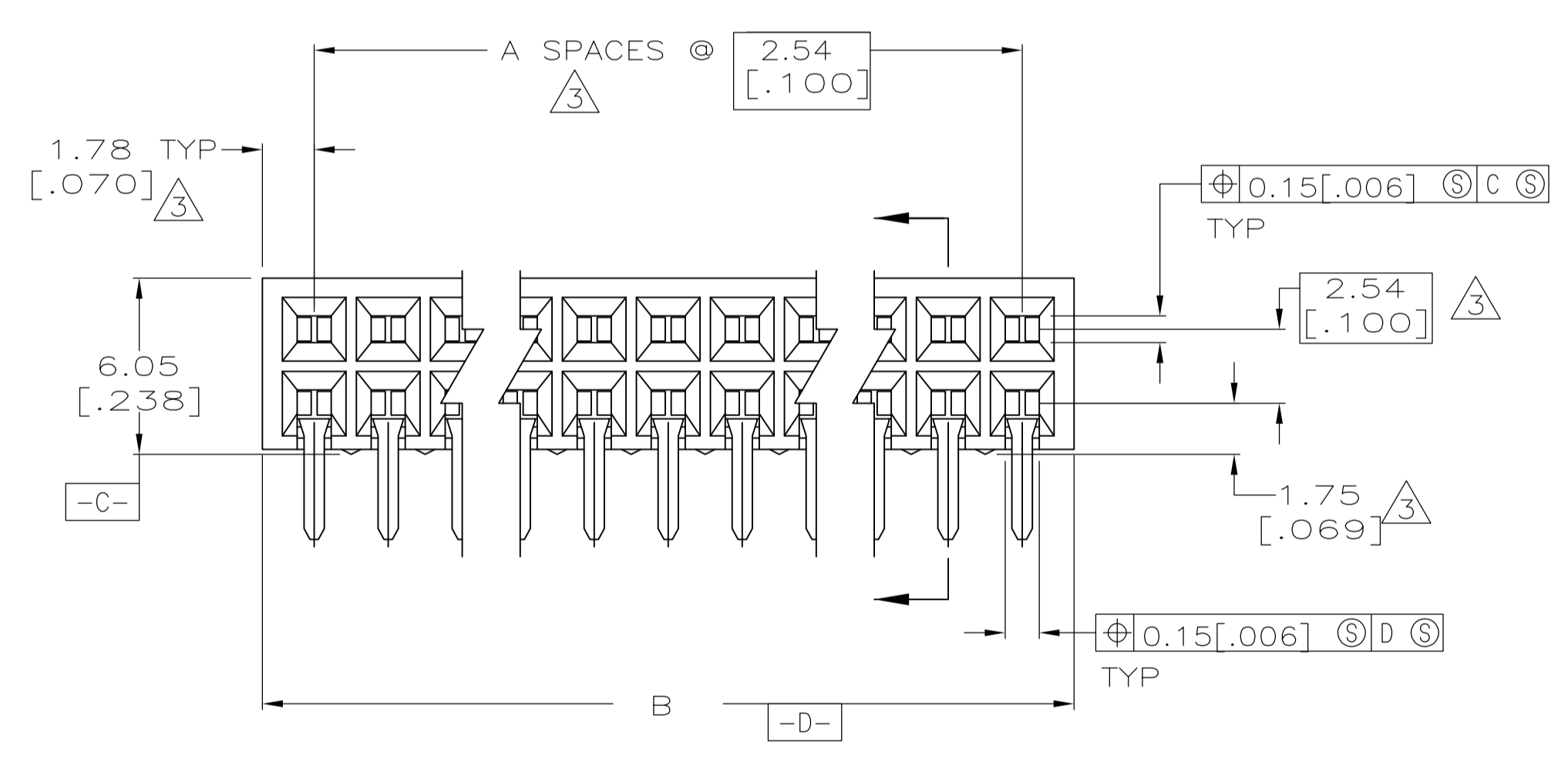
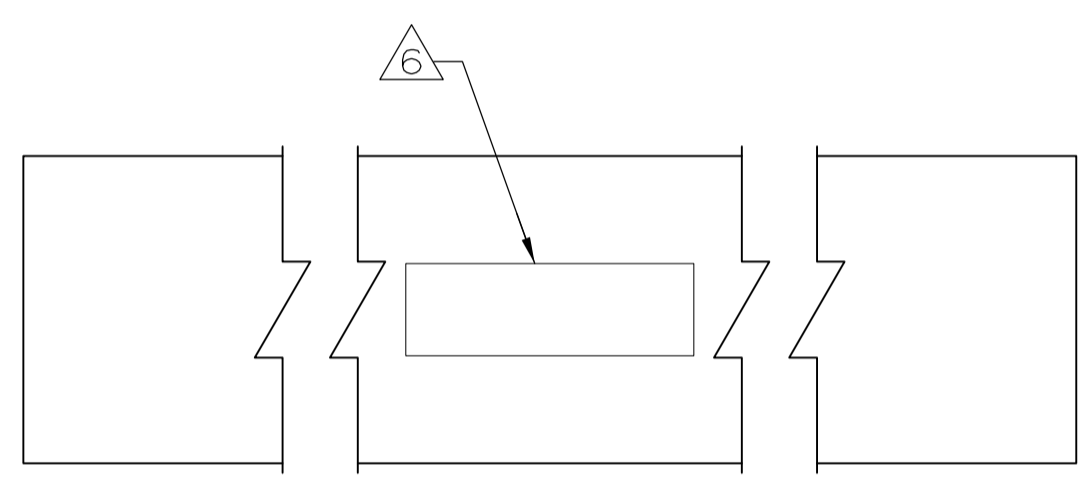


1. QUALITY CONFORMANCE INSPECTION PER MIL-C-55302 (GROUP A, B & C).
2. PACKAGED PER MIL-C-55302
3. THESE DIMENSIONS PERTAIN TO CAVITY CENTERLINES ONLY, NOT TO CONTACT LOCATIONS.
4. SLOT OPTIONAL AT INDICATED AREA OF HOUSING.
5. CONTACTS: 0.00127[.000050] GOLD OVER 0.00076 TO 0.00381 [.000030 TO .000150] NICKEL ENTIRE CONTACT.
6. MARKED IN APPROXIMATE AREA SHOWN. EXAMPLE: AMP, DATE CODE AND PART NUMBER.
7. "CSA" LOGO MARKED ON HOUSING.



RECOMMENDED PC BOARD HOLE LAYOUT

3.540	34	70	449687-2
2.840	27	56	449687-1
B	A	NO OF POSN	PART NUMBER

THIS DRAWING IS A CONTROLLED DOCUMENT.		DIN	T. ALEXANDER	9-10-93
DIMENSIONS: INCHES		CHK	D. MILLER	9-13-93
TOLERANCES UNLESS OTHERWISE SPECIFIED:		APVD		
0. PLC	± .005	NAME		
1. PLC	± .002	PRODUCT SPEC		
2. PLC	± .001	APPLICATION SPEC		
3. PLC	± .0005	SIZE		
4. PLC	± .0002	CAGE CODE		
ANGLES	± .010	DRAWING NO		
MATERIAL	FINISH	RESTRICTED TO		
HOUSING:	5	A1 00779 C=449687		
CUSTOMER DRAWING		SCALE	5:1	SHEET 1 OF 1

Mouser Electronics

Authorized Distributor

Click to View Pricing, Inventory, Delivery & Lifecycle Information:

[TE Connectivity:](#)

[449687-2](#)