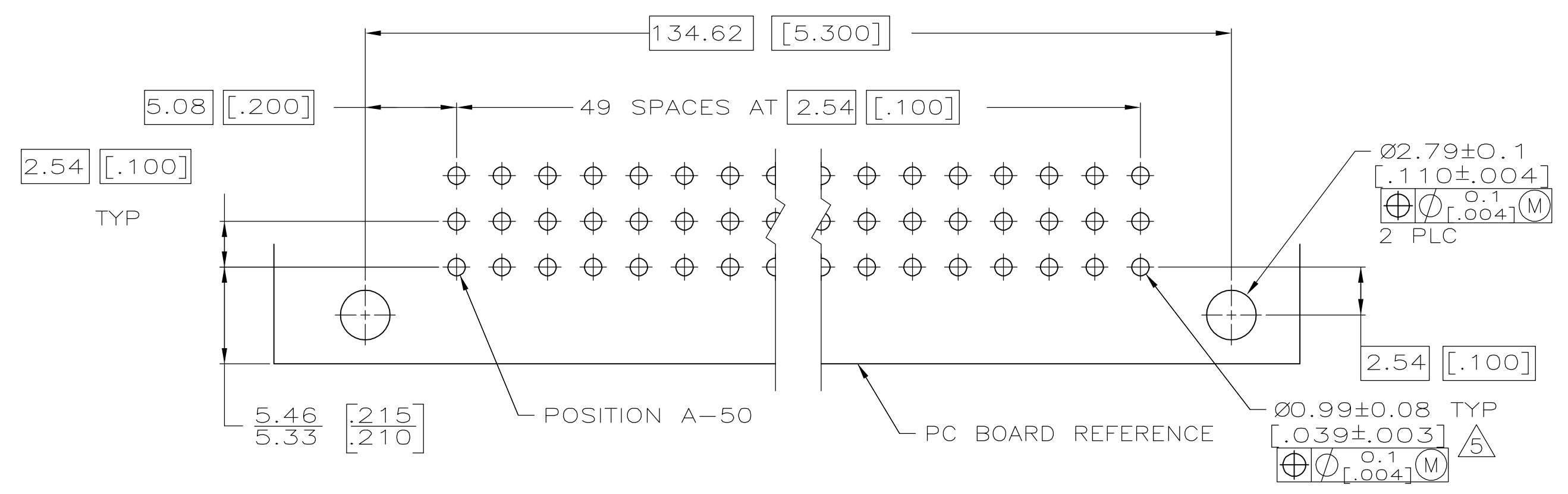
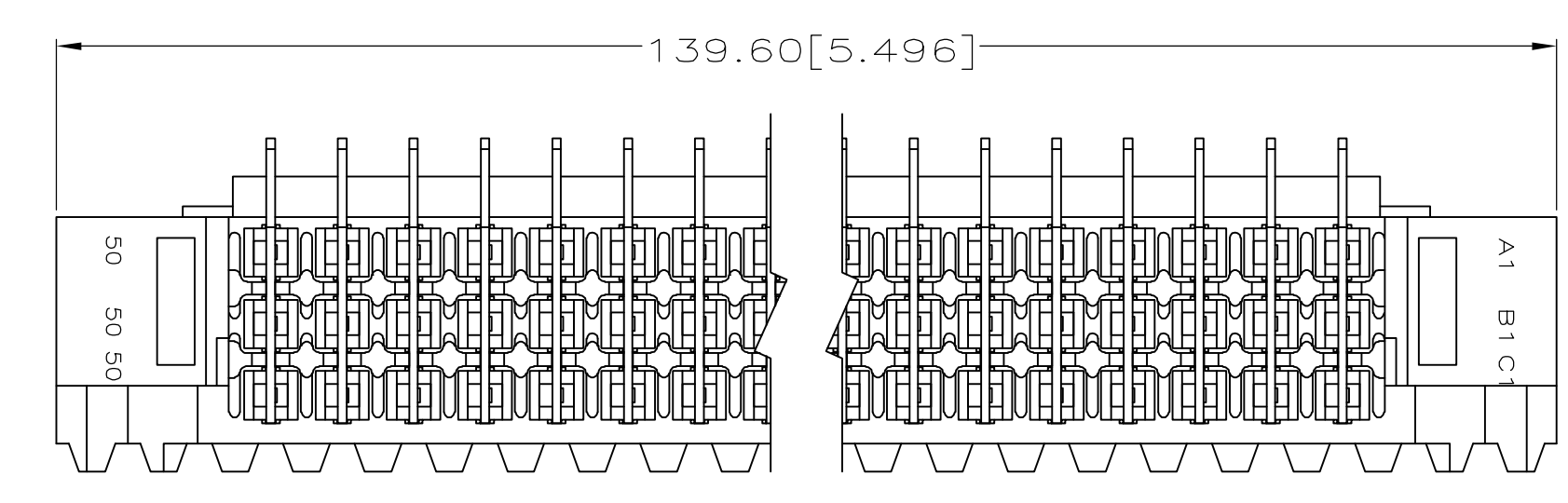
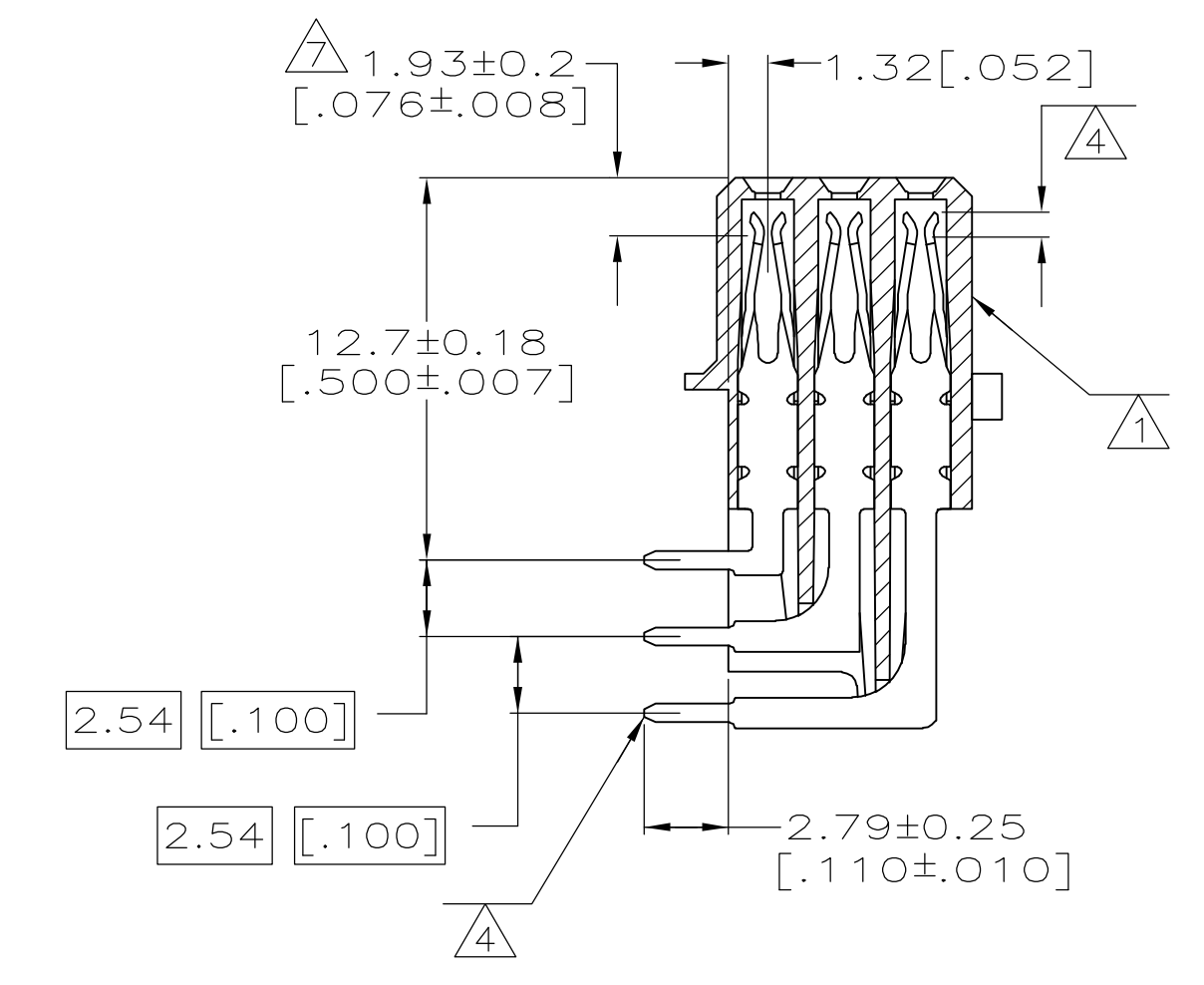
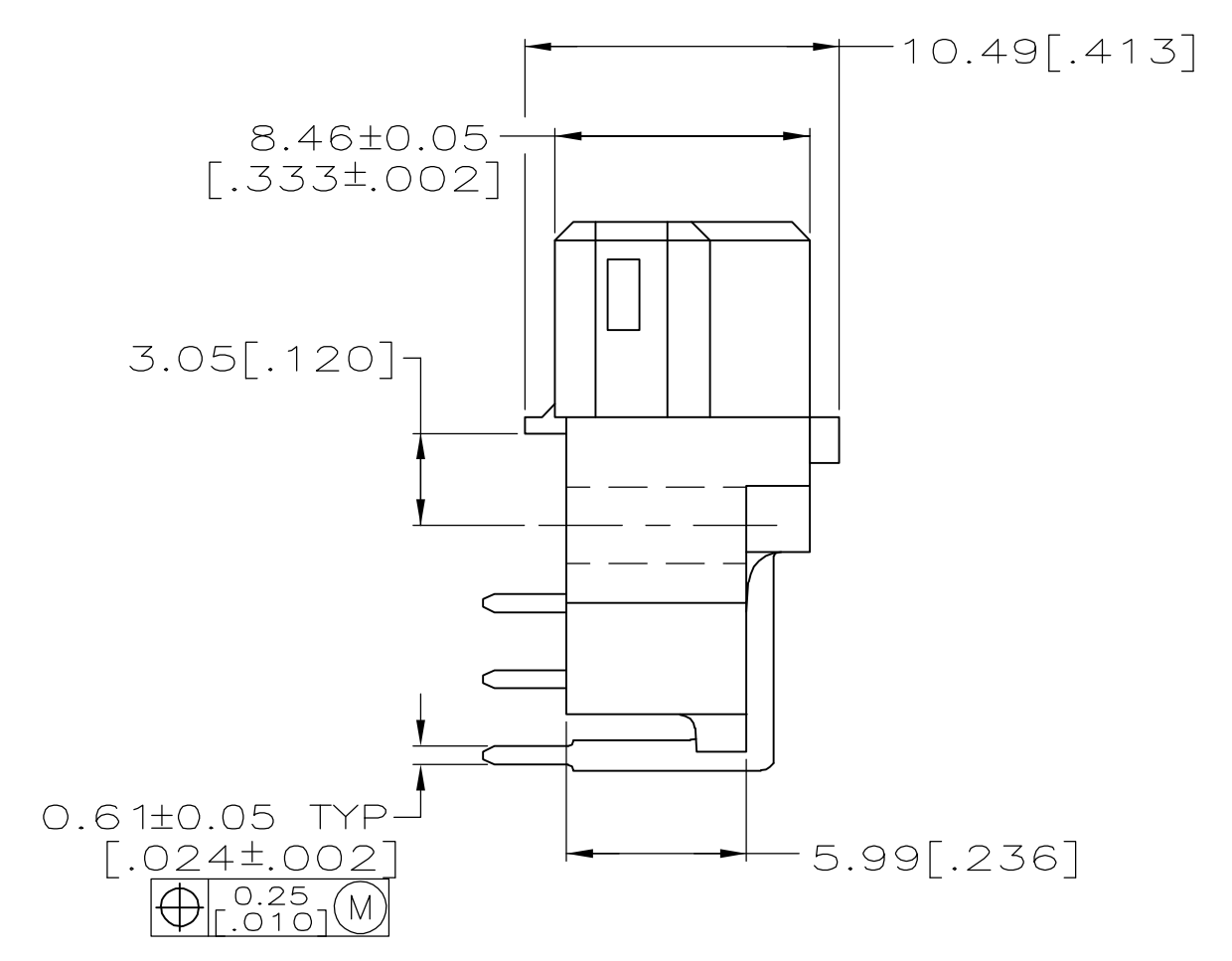
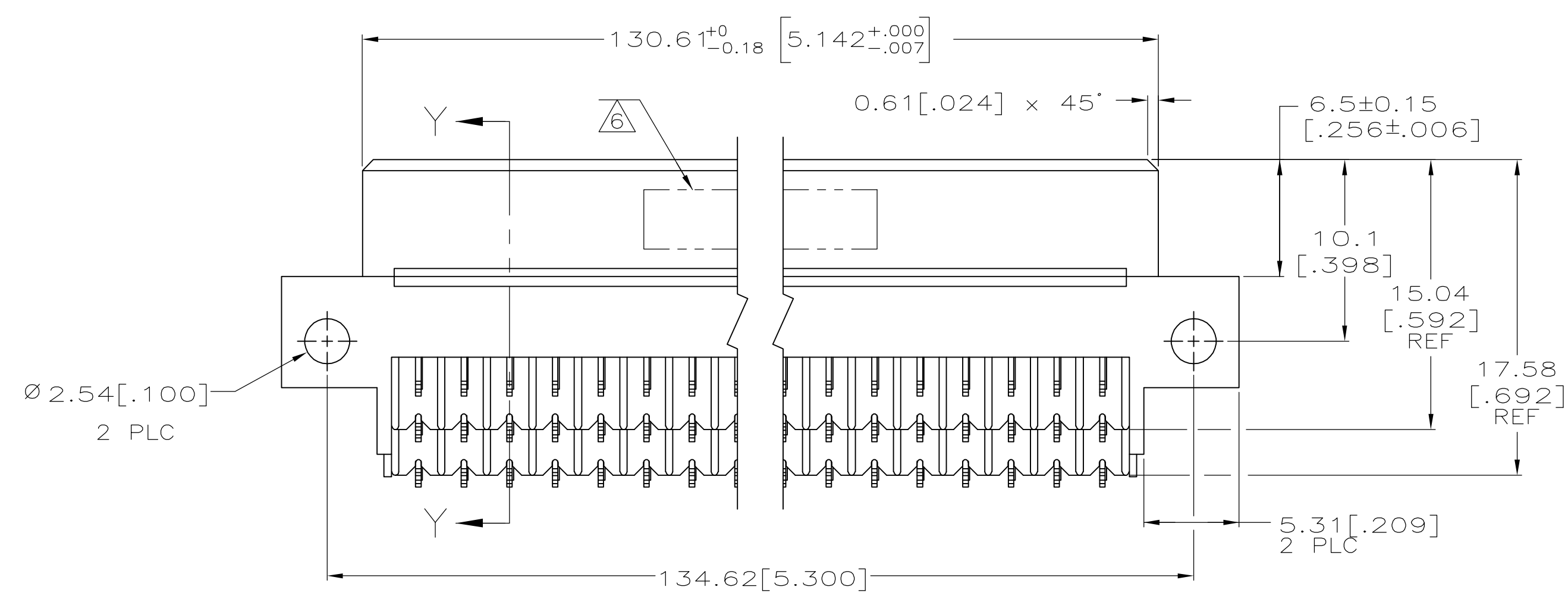


- ① MARKING ON THIS SIDE.
- ② HOUSING MATERIAL: GLASS-FILLED POLYMER.
- ③ CONTACT MATERIAL: COPPER ALLOY.
- ④ CONTACT FINISH: DIN 41612 CLASS 2 IN CONTACT AREA. TIN PLATE ON POSTS.
- ⑤ RECOMMENDED HOLE SIZE FOR MANUAL APPLICATION OF CONNECTOR ONTO PC BOARD.
- ⑥ PART NUMBER, DATE CODE IDENTIFICATION, CSA LOGO, THIS APPROXIMATE AREA.
- △ CONTACT POINT.



PC BOARD LAYOUT

1 THRU 50	X	X	X	150	5650875-5
POSITIONS LOADED	C	B	A	NO. OF LOADED POSITIONS	ASSY PART NUMBER

THIS DRAWING IS A CONTROLLED DOCUMENT.		DWN J. POLIGNONE 03JUN05	Tyco Electronics Corporation	
DIMENSIONS: mm [INCHES]		CHK A. SHARPE 03JUN05	Harrisburg, Pa 17105-3608	
TOLERANCES UNLESS OTHERWISE SPECIFIED:		APP'D A. SHARPE 03JUN05	NAME ASSEMBLY, RECEPTACLE, EUROCARD, TYPE R, LEAD-FREE, 150 POSITION, 2.79[.110] SOLDER POSTS	
0 PLC ± -	1 PLC ± -	PRODUCT SPEC	SIZE A1	CAGE CODE 00779
2 PLC ± 0.15[.005]	3 PLC ± -	APPLICATION SPEC	DRAWING NO. 5650875	RESTRICTED TO
4 PLC ± -	ANGLES ± -	FINISH	WEIGHT -	SCALE 4:1
MATERIAL		FINISH	REVISIONS	SHEET 1 OF 1
CUSTOMER DRAWING		SCALE 4:1	REV 0	

Mouser Electronics

Authorized Distributor

Click to View Pricing, Inventory, Delivery & Lifecycle Information:

[TE Connectivity:](#)

[5650875-5](#)