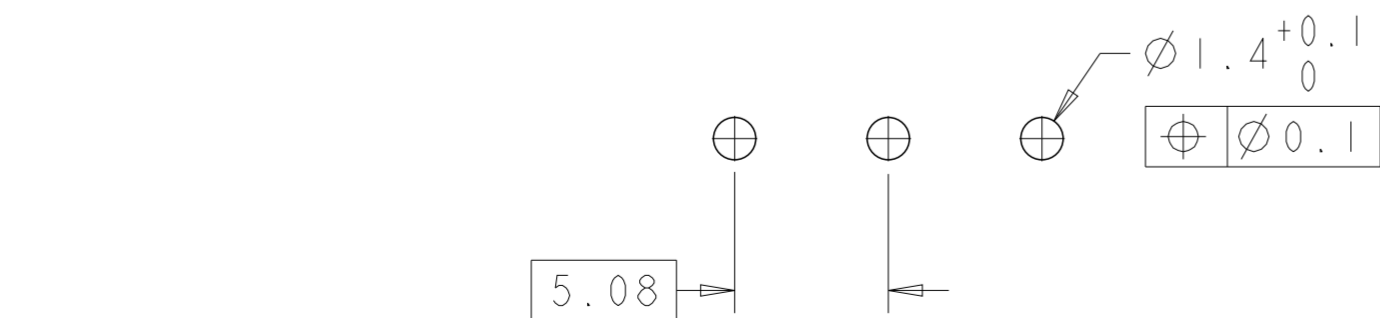
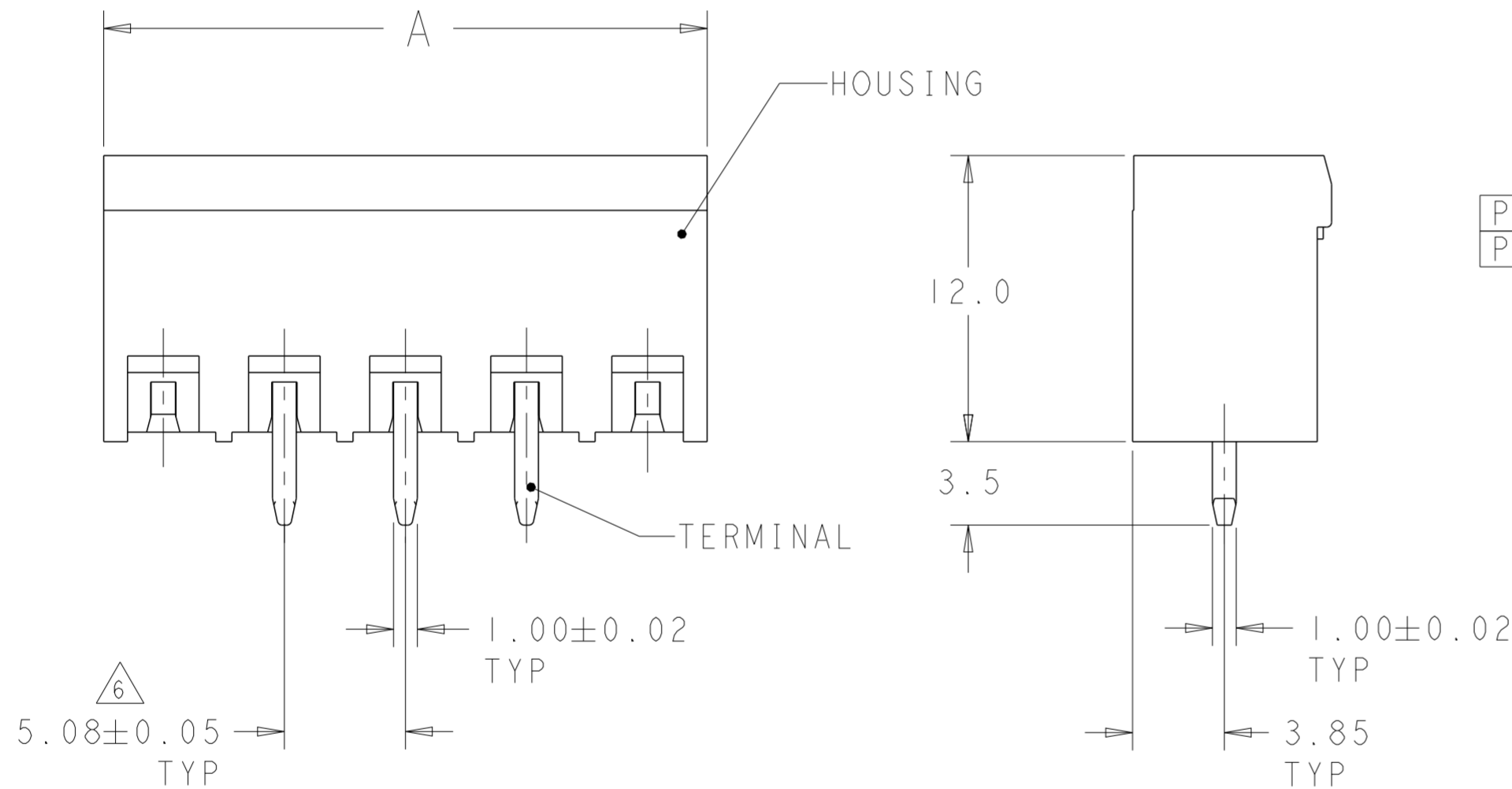
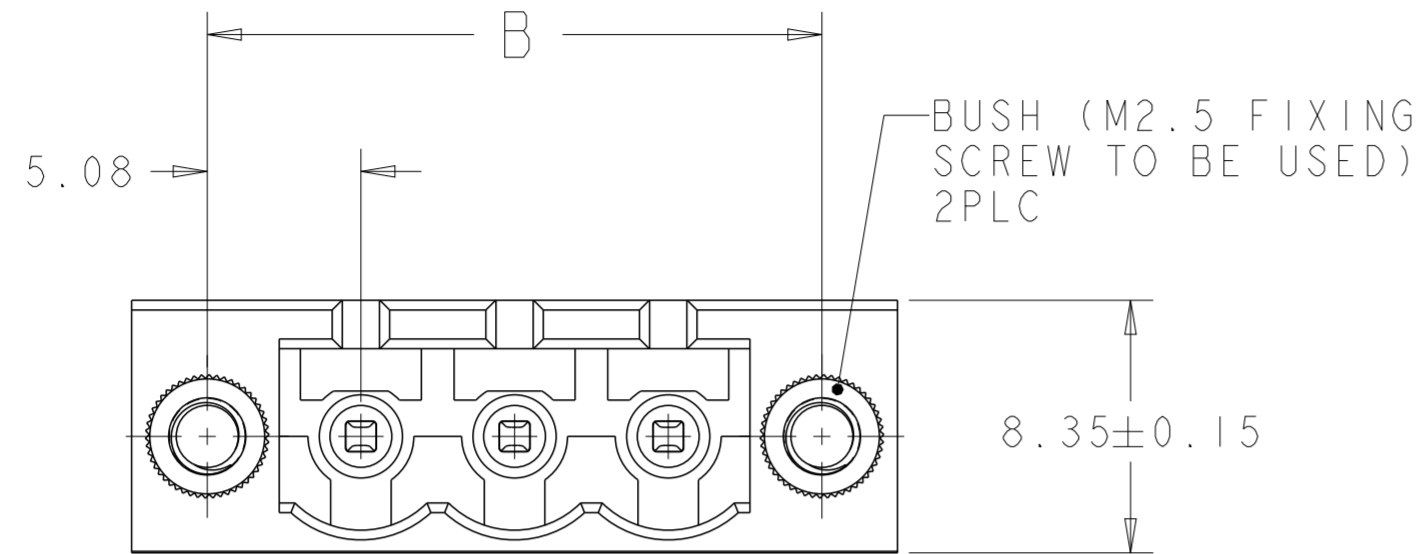


| REVISIONS | | | | | |
|-----------|-----|-----------------------------|-----------|-----|------|
| P | LTR | DESCRIPTION | DATE | DWN | APVD |
| B6 | | BUSH PART INFORMATION ADDED | 13APR2018 | RK | PS |

NOTES:

- MATERIALS AND FINISH:**
 HOUSING: PA 6-6, UL 94V-0, COLOR: SEE TABLE.
 TERMINAL: COPPER ALLOY, PLATING: SEE TABLE. OVER 2-3µm NICKEL
 BUSH : BRASS, NICKEL PLATED.
 - MECHANICAL**
 MAX. INSERTION FORCE PER POLE : 3.0 N
 MIN. WITHDRAWAL FORCE PER POLE : 1.5 N
 MIN. PC BOARD HOLES DIAMETER : 1.4 mm
 MAX. PC BOARD THICKNESS : 2.4 mm
 - ELECTRICAL**
 WIRE RANGE : 12-30 AWG
 MAX. VOLTAGE : 300 V
 MAX CURRENT : 15 A
 CONTACT RESISTANCE : <15 m Ohm
 INSULATION RESISTANCE : >1000 M Ohm (500V DC)
 - OPERATING TEMPERATURE RANGE: -40°C TO +110°C**
 - RECOGNIZED UNDER THE COMPONENT PROGRAM OF UNDERWRITERS LABORATORIES INC. FILE NO. E60677.**
- △ NOT CUMULATIVE TOLERANCE.



RECOMMENDED PC BOARD LAYOUT

| PRELIMINARY | GREEN | 0.76µm GOLD | 55.88 | 60.88 | 10 | 2-796867-6 |
|-------------|------------------|-------------|--------|------------|-------------|------------|
| PRELIMINARY | GRAY RAL7032 | 0.76µm GOLD | 30.48 | 35.48 | 5 | 2-796867-5 |
| OBSOLETE | GREEN | 0.2µm GOLD | 30.48 | 35.48 | 5 | 2-796867-4 |
| | | TIN | 121.92 | 126.92 | 23 | 2-796867-3 |
| | | TIN | 116.84 | 121.84 | 22 | 2-796867-2 |
| | | TIN | 111.76 | 116.76 | 21 | 2-796867-1 |
| | | TIN | 106.68 | 111.68 | 20 | 2-796867-0 |
| | | TIN | 101.60 | 106.60 | 19 | 1-796867-9 |
| | | TIN | 96.52 | 101.52 | 18 | 1-796867-8 |
| | | TIN | 91.44 | 96.44 | 17 | 1-796867-7 |
| | | TIN | 86.36 | 91.36 | 16 | 1-796867-6 |
| | | TIN | 81.28 | 86.28 | 15 | 1-796867-5 |
| OBSOLETE | GREEN | TIN | 76.20 | 81.20 | 14 | 1-796867-4 |
| | | TIN | 71.12 | 76.12 | 13 | 1-796867-3 |
| | | TIN | 66.04 | 71.04 | 12 | 1-796867-2 |
| | | TIN | 60.96 | 65.96 | 11 | 1-796867-1 |
| | | TIN | 55.88 | 60.88 | 10 | 1-796867-0 |
| | | TIN | 50.80 | 55.80 | 9 | 796867-9 |
| | | TIN | 45.72 | 50.72 | 8 | 796867-8 |
| | | TIN | 40.64 | 45.64 | 7 | 796867-7 |
| | | TIN | 35.56 | 40.56 | 6 | 796867-6 |
| | | TIN | 30.48 | 35.48 | 5 | 796867-5 |
| TIN | 25.40 | 30.40 | 4 | 796867-4 | | |
| TIN | 20.32 | 25.32 | 3 | 796867-3 | | |
| TIN | 15.24 | 20.24 | 2 | 796867-2 | | |
| COLOR | TERMINAL PLATING | B | A | NO OF POSN | PART NUMBER | |

THIS DRAWING IS A CONTROLLED DOCUMENT.

DWN S. WELDON 10 JUN 2002
 CHK D. BIEVENOUR 10 JUN 2002
 APVD D. BIEVENOUR 10 JUN 2002

STE TE Connectivity

NAME: TERMINAL BLOCK HEADER ASSEMBLY, VERTICAL, WITH LOCKING SCREW FLANGE, 5.08mm PITCH

SIZE: A2 CAGE CODE: 00779 DRAWING NO: C-796867

MATERIAL: SEE NOTES TOLERANCES UNLESS OTHERWISE SPECIFIED: SEE NOTES

0 PLC ±0.3
 1 PLC ±0.25
 2 PLC ±0.25
 3 PLC ±0.25
 4 PLC ±0.25

APPLIC. SPEC: -
 WEIGHT: -
 CUSTOMER DRAWING

SCALE: 4:1 SHEET: 1 OF 1 REV: B6

Mouser Electronics

Authorized Distributor

Click to View Pricing, Inventory, Delivery & Lifecycle Information:

[TE Connectivity:](#)

[1-796867-2](#)