



2.75W Compact Fixed Blade Charger (United Kingdom) Ecodesign Compliant USB Adapter



★★★★★
Standby Power



Features

- Fixed Blade
- CC & CV control
- Ecodesign ErP Directive 2009/125/EC level 2 annex 1b Compliant
- Low Cost
- 5 Star Standby power <0.03W
- No Y Cap
- Halogen Free

Applications

- MPEG Players
- PDA
- Personal Electronics
- Digital Camera

Safety Approvals

- CE
- IEEE1725 Approved

Mechanical Characteristics

- Length: 49mm (1.93in)
- Width: 43mm (1.65in)
- Height: 21.0mm (0.87in)
- Weight: 80g (3oz)

Output Specifications

Model	DC Output Voltage	Load		Ripple (1) P-P (max)	Regulation		Case Color
		Min.	Max.		Line	Load	
PSM03K-050Q	5V	0A	0.55A	100mV	±5%		Black
PSM03K-050Q-3W	5V	0A	0.55A	100mV	±5%		White

Note: (1) Measured after 10 minutes with by-pass capacitors 0.1uF // 10uF at output connector terminal and oscilloscope set at 20MHz.

Phihong is not responsible for any error, and reserves the right to make changes without notice. Please visit our website at www.phihong.com for the most up-to-date specifications and contact information.

INPUT:

AC Input Voltage Rating
100 to 240VAC

AC Input Voltage Range
90 to 264VAC

AC Input Current
0.1A(RMS) max.

Leakage Current
0.25mA max. @ 230VAC

Inrush Current (cold)
<30A for 120VAC at max. load
<60A for 240VAC at max. load
(Cold start @ ambient 25°C)

Input Power Saving
<0.15W max. @ 230VAC at no load

OUTPUT:
Power
2.75W Maximum

Efficiency
Meets Level V Efficiency Requirements
63.7% minimum average efficiency

No-Load Power Saving
0.03W maximum at 115VAC/230VAC

Hold-up Time
10mS min. @ 120VAC and max. load

Over-voltage Protection
>120%, Zener Clamp

ENVIRONMENTAL:
Temperature
Operation -10 to +40°C
Non-operation -40 to +85°C

Humidity
Operation 10 to 90%

Immunity
ESD: EN61000-4-2. Level 4
Surge: EN61000-4-5. Level 4
Harmonic: EN61000-3-2
Flicker: EN61000-3-3

Emissions
FCC Class B
EN55022 Class B

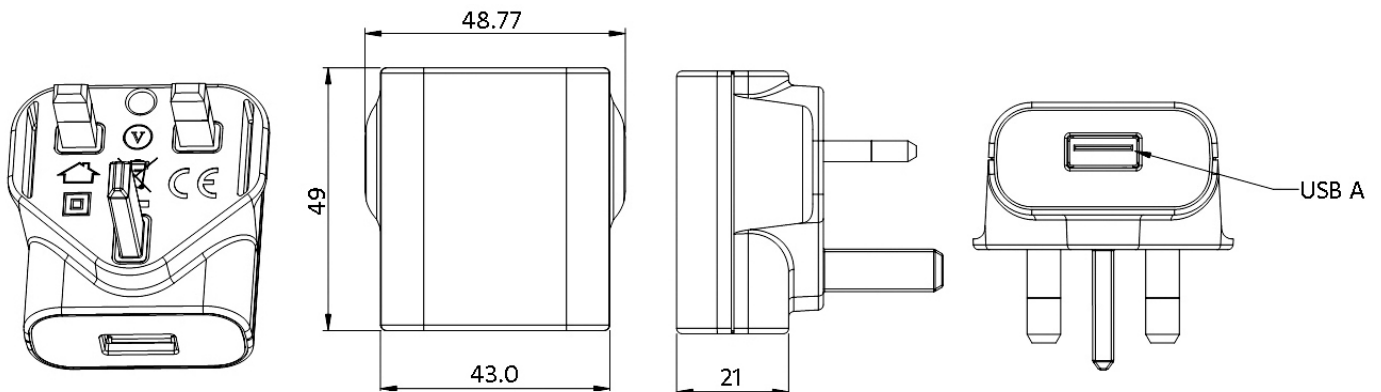
Dielectric Withstand (Hi-pot) Test
Primary to Secondary: 3000VAC

Insulation Resistance
Primary to Secondary: 7M ohm 500VDC

MTBF
200K hours minimum at 120VAC, max load
(measured at ambient 25°C)

DC Output Connector
USB A
D+ and D- pins shorted together inside the charger

Dimension Diagram Unit: mm



Mouser Electronics

Authorized Distributor

Click to View Pricing, Inventory, Delivery & Lifecycle Information:

[Phihong:](#)

[PSM03K-050Q-H](#) [PSM03K-050Q-3-R](#) [PSM03K-050Q-3W-R](#)