

PART NAME

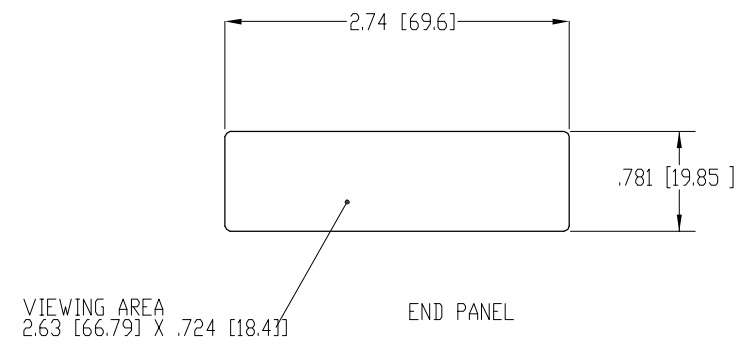
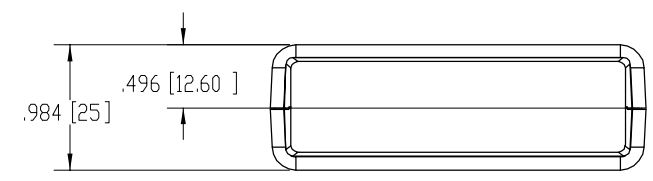
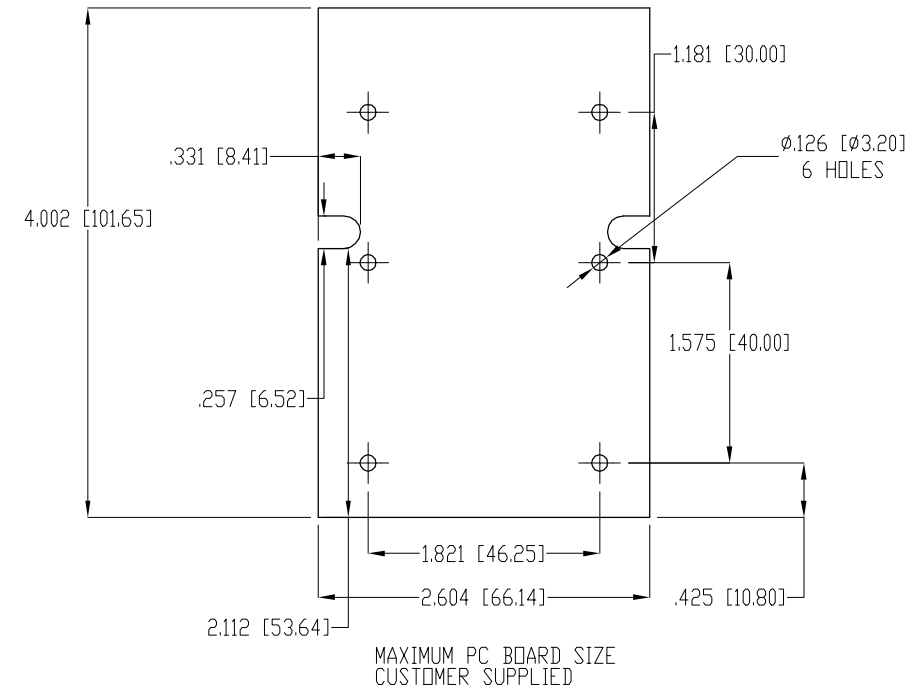
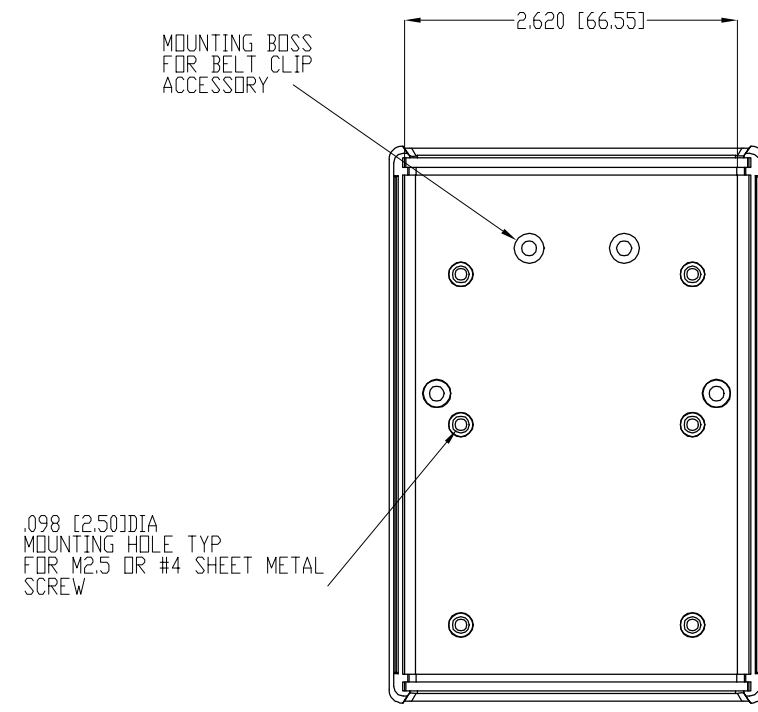
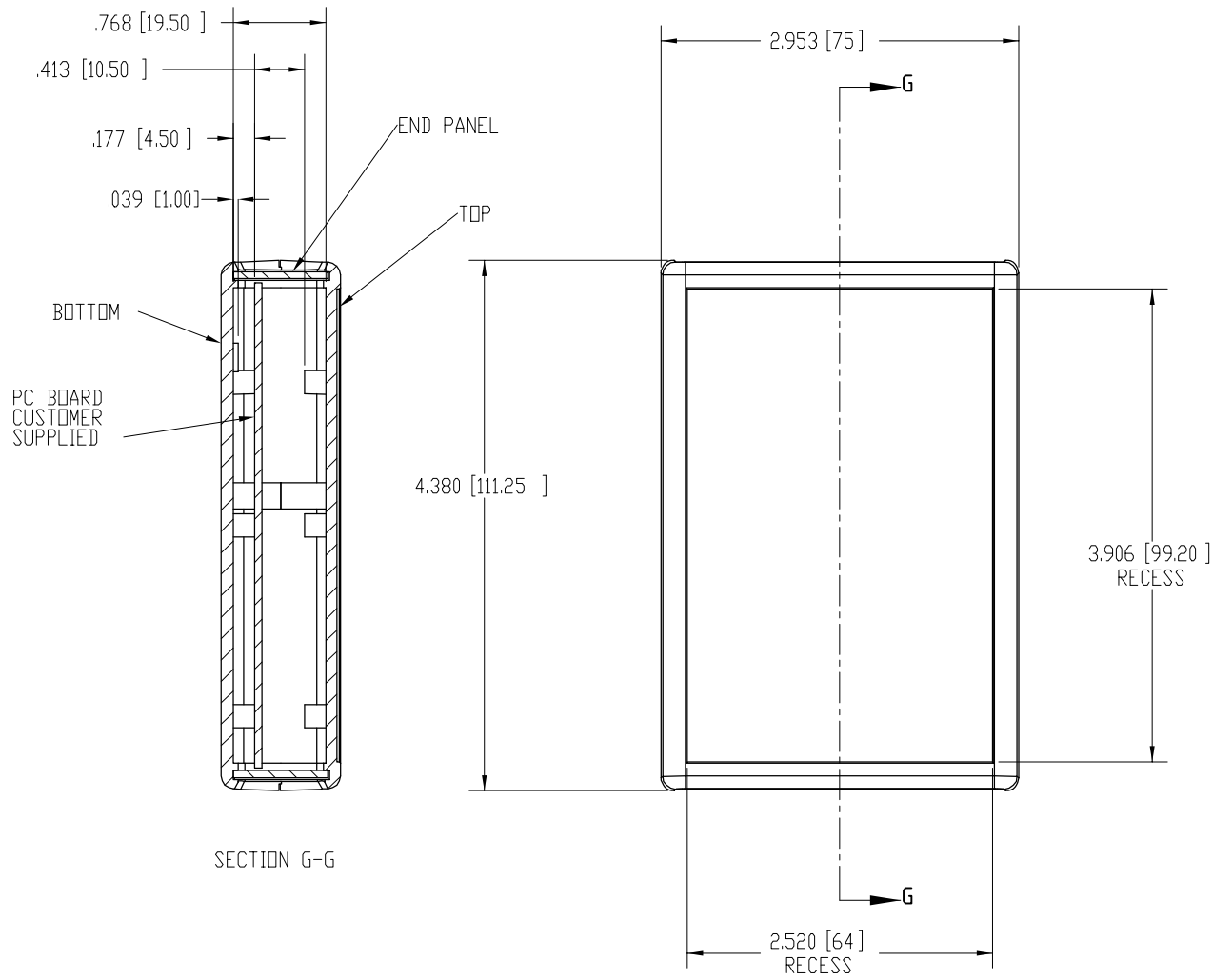
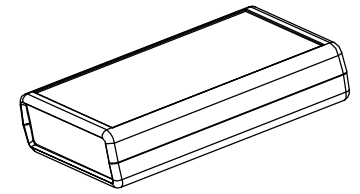
HAND-HELD PLASTIC BOX, STYLE 2

PART NO.

HP-3652-B

REVISION DATE

6-5-10



MATERIAL AND FINISH:
 BLACK HIGH-IMPACT ABS (UL94-HB) - TOP, BOTTOM, AND END PANEL
 TWO (2) M3 X .63 [16] LG SCREWS SUPPLIED FOR ASSEMBLY
 OPTIONAL ACCESSORIES:
 INFRARED PANELS P/N HP-3647
 BELT CLIP (BLACK) P/N HH-3595-BCB

Mouser Electronics

Authorized Distributor

Click to View Pricing, Inventory, Delivery & Lifecycle Information:

[Bud Industries:](#)

[HP-3652-B](#)