

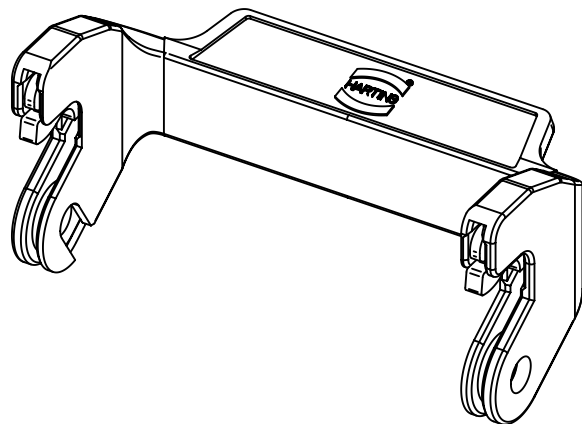
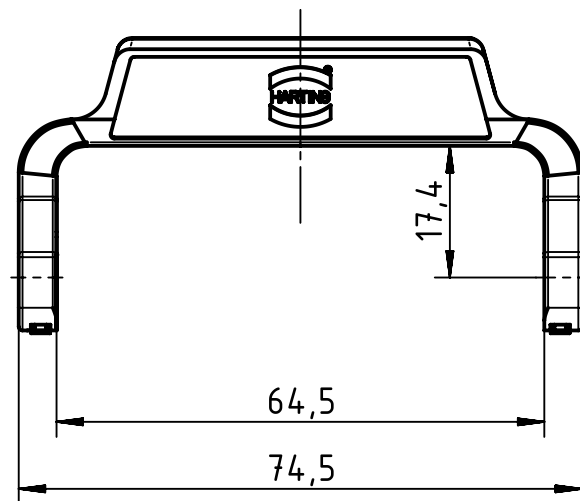
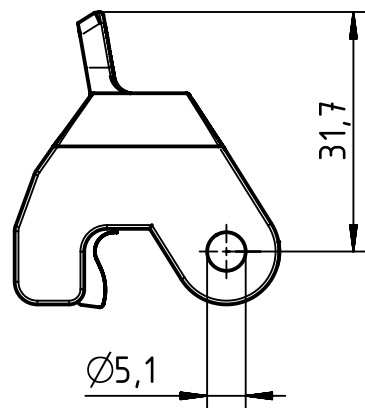
1 2 3 4 5 6


A

B

C

D



	All rights reserved Department EL PD - DE	All Dimensions in mm Original Size DIN A4		Scale 1:1	Free size tol.	Ref.	
		Created by RULLKOETTER	Inspected by GERB	Standardisation RUETERA	Date 2014-11-28	State Final Release	
HARTING Electric GmbH & Co. KG D-32339 Espelkamp		Title Han-Easy Lock ® 10A, Single lever				Doc-Key / ECM-Nr. 100124089/UGD/006/A 500000082478	
		Type TB	Number 09 00 000 5224			Rev. A	Page 1/1

Mouser Electronics

Authorized Distributor

Click to View Pricing, Inventory, Delivery & Lifecycle Information:

[HARTING:](#)

[09000005224](#)