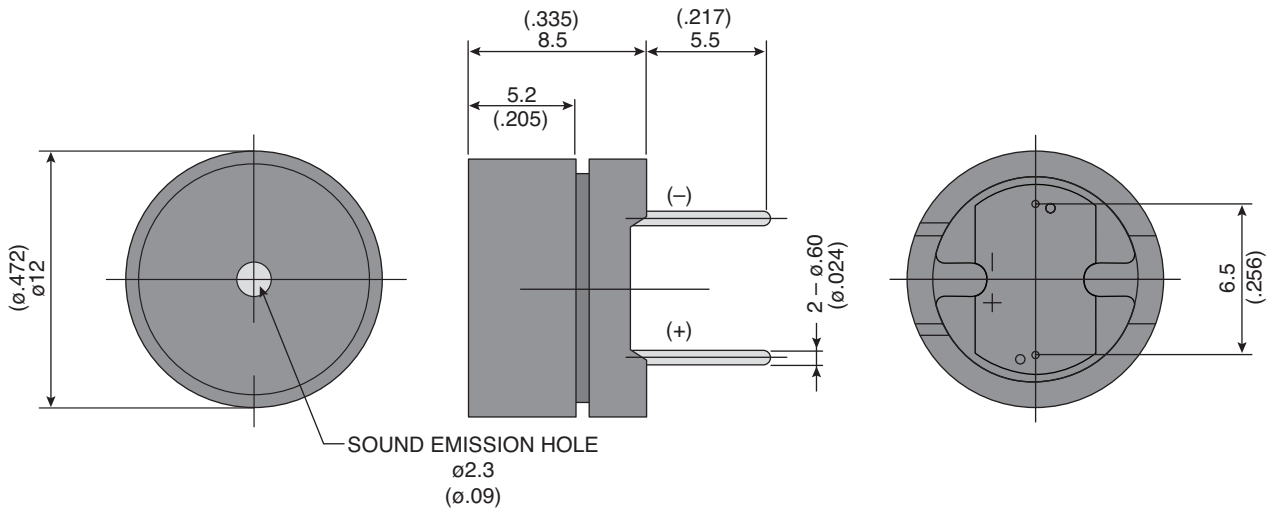


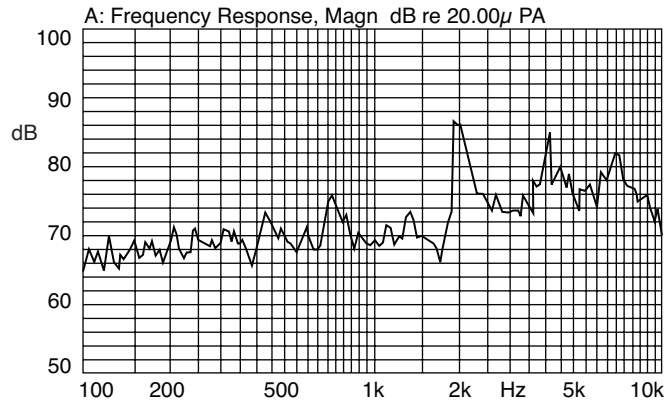
**Part Number:**

254-EMB121-RO



Magnetic Buzzer

**Frequency Response Curve:**



KT-400388

**Electrical Specifications:**

- Rated Voltage: 1.5Vo-p
- Operating Voltage: 1.0 ~ 2.0Vo-p
- Consumption Current: Mean 35mA(Max) Peak 105mA(Min)
- Direct Current Resistance:  $16\Omega \pm 2.4$
- Sound Output: 85dBA(Min)
- Rated Frequency: 2048Hz

**Mechanical Specifications:**

- Operating Temperature:  $-30^{\circ}\text{C} \sim +70^{\circ}\text{C}$
- Storage Temperature:  $-40^{\circ}\text{C} \sim +85^{\circ}\text{C}$

**Note:**

- RoHS Compliant

# Mouser Electronics

Authorized Distributor

Click to View Pricing, Inventory, Delivery & Lifecycle Information:

[Kobitone:](#)

[254-EMB121-RO](#)