

4

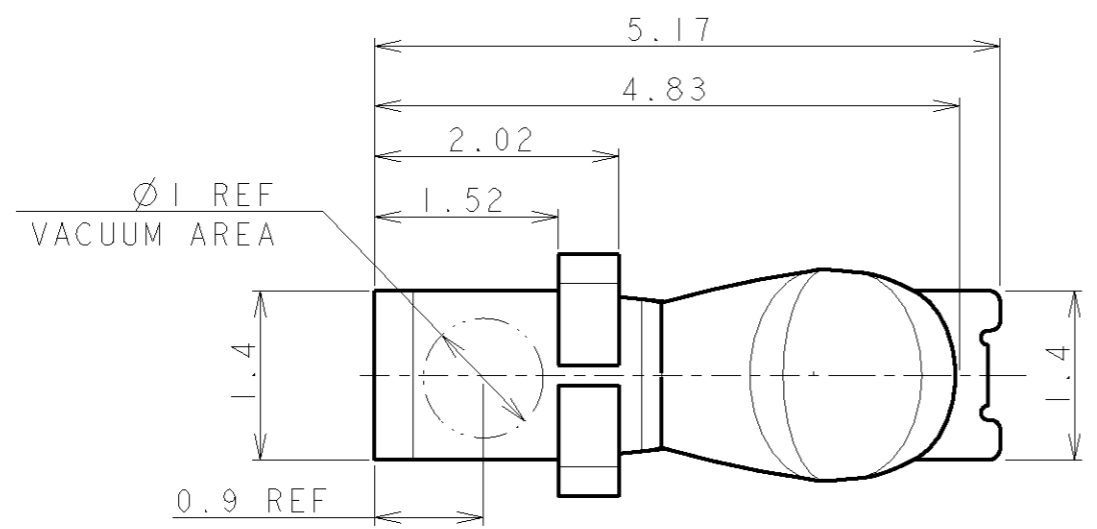
3

2

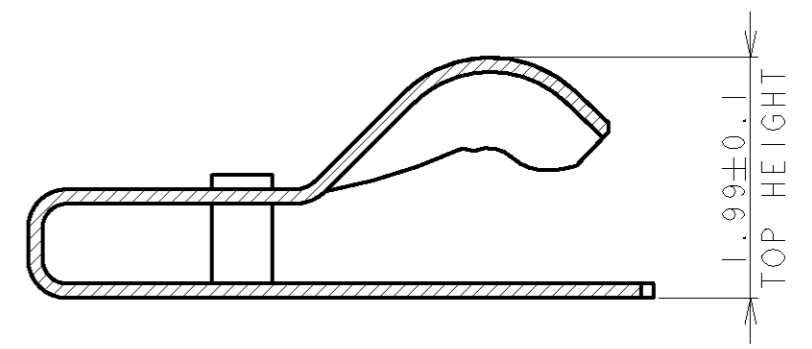
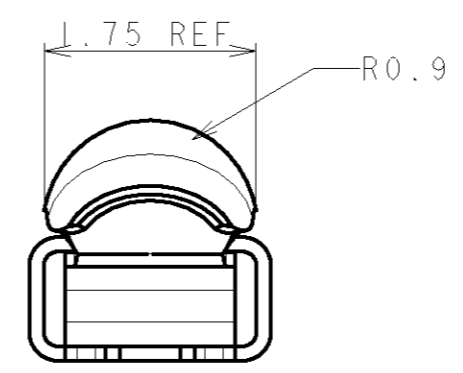
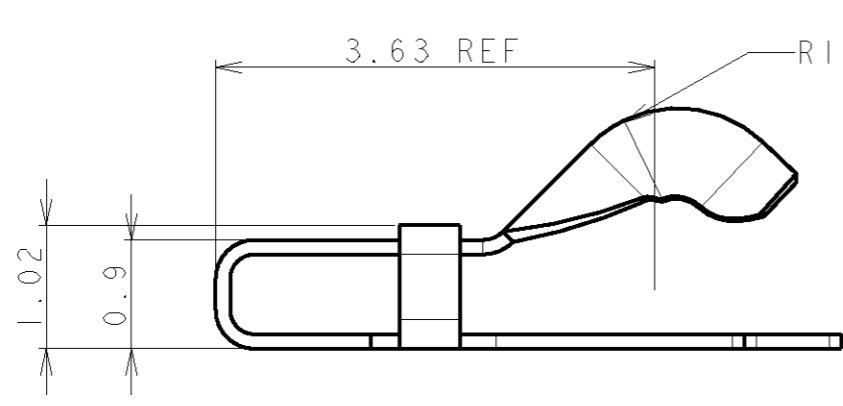
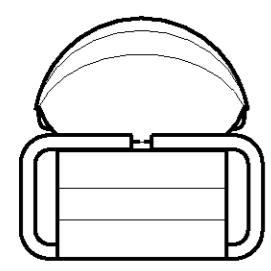
1

THIS DRAWING IS UNPUBLISHED. RELEASED FOR PUBLICATION 2008
 © COPYRIGHT 2008 BY TYCO ELECTRONICS CORPORATION. ALL RIGHTS RESERVED.

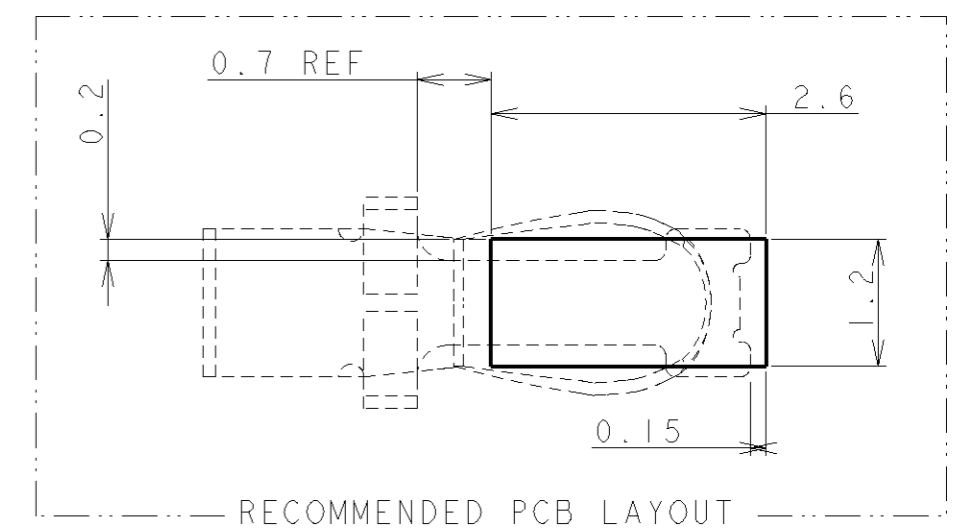
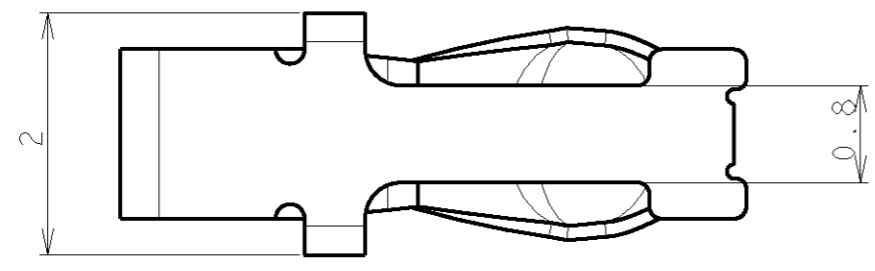
LOC	DIST	REVISIONS 変更			
P	LTR	DESCRIPTION	DATE	DWN	APVD
J		A	RELEASED	17JUL2009	C.O Y.N



AS SHOWN : - 1



SECTION A-A



- 1 MATERIAL ELEMENT : COPPER ALLOY, THICKNESS: 0.12mm
- 2 FINISH ELEMENT : SOLDERING TINE SURFACE Au PLATING; 0.0005mmMIN.
CONTACT AREA Au PLATING; 0.00025mmMIN.
ALL OVER NICKEL PLATING.

THIS DRAWING IS A CONTROLLED DOCUMENT FOR TYCO ELECTRONICS CORPORATION IT IS SUBJECT TO CHANGE AND THE CONTROLLING ENGINEERING ORGANIZATION SHOULD BE CONTACTED FOR THE LATEST REVISION.		DWN 17JUL2009 C.OHASHI		Tyco Electronics Corporation Kawasaki, Japan	
DIMENSIONS: 单位: 毫米 mm		TOLERANCES UNLESS OTHERWISE SPECIFIED: 一般公差 ±0.15 0-PLC ± 1-PLC ± 2-PLC ± 3-PLC ± 4-PLC ± ANGLES ±1°		NAME 名称 SHIELD FINGER 199 14	
MATERIAL 材料 Copper Alloy		FINISH 仕上 Ni, Au		PRODUCT SPEC 製品規格 108-XXXXX APPLICATION SPEC 取付適用規格 114-XXXXX	
		WEIGHT 重量 0.02g		SIZE 番号 A300779	
		CUSTOMER DRAWING		DRAWING NO 番号 C=2040761	
		SCALE 尺度 16:1		SHEET 1 OF 2 REV A	

4

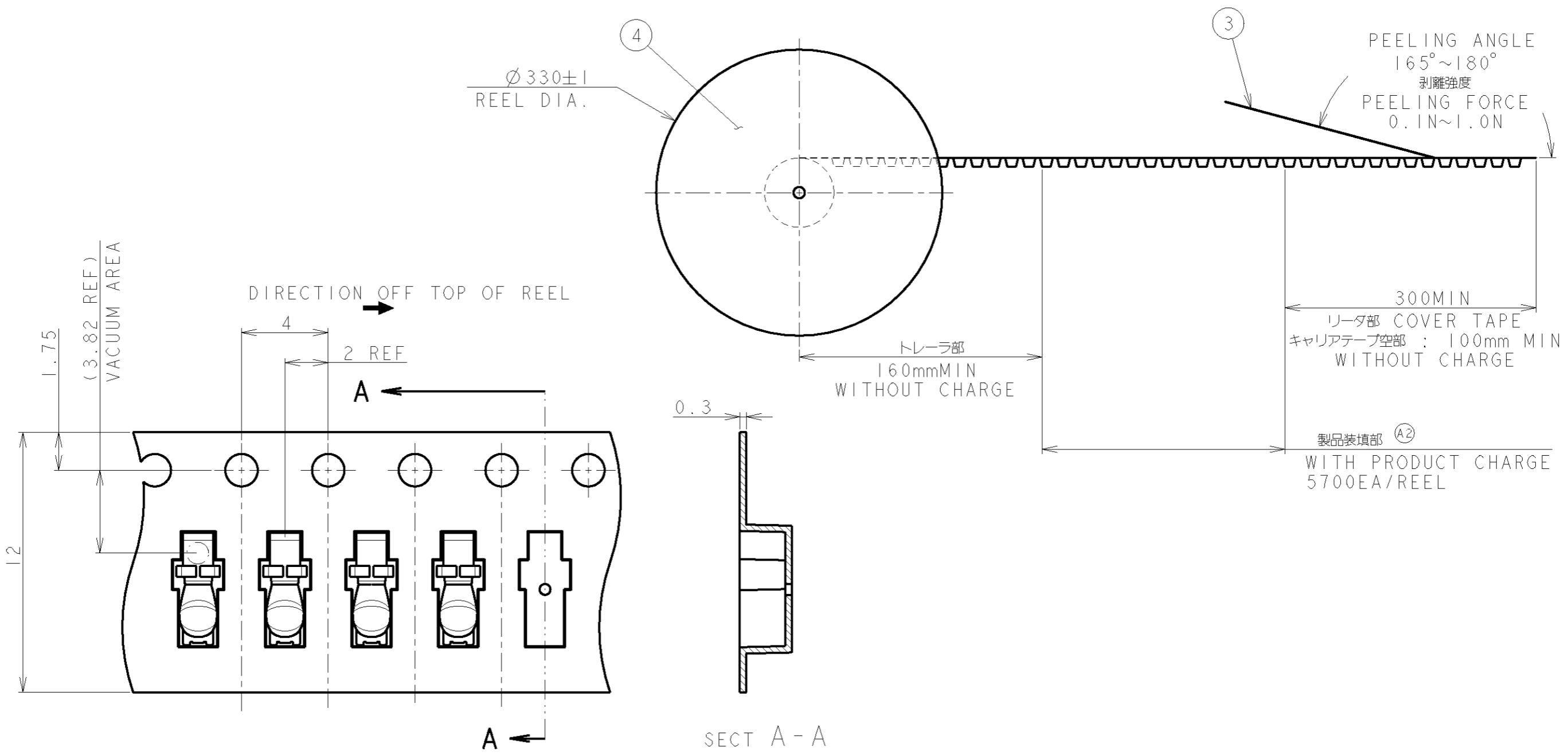
3

2

1

THIS DRAWING IS UNPUBLISHED. RELEASED FOR PUBLICATION 2008
 © COPYRIGHT 2008 BY TYCO ELECTRONICS CORPORATION. ALL RIGHTS RESERVED.

LOC	DIST	REVISIONS					
J		P	LTR	DESCRIPTION	DATE	DWN	APVD
		-		SEE SHEET 1	-	-	-



THIS DRAWING IS A CONTROLLED DOCUMENT FOR TYCO ELECTRONICS CORPORATION IT IS SUBJECT TO CHANGE AND THE CONTROLLING ENGINEERING ORGANIZATION SHOULD BE CONTACTED FOR THE LATEST REVISION.		DWN 17JUL2009 C. OHASHI		Tyco Electronics Corporation Kawasaki, Japan	
DIMENSIONS: 単位: 概 mm		TOLERANCES UNLESS OTHERWISE SPECIFIED: 一般公差 ± 0.2 0-PLC \pm 1-PLC \pm 2-PLC \pm 3-PLC \pm 4-PLC \pm ANGLES $\pm 1^\circ$		NAME 名称 SHIELD FINGER 199 14	
		PRODUCT SPEC 製品規格 108-XXXXX		SIZE A300779	
MATERIAL 材料 Copper Alloy		FINISH 仕上 Ni, Au		DRAWING NO 番号 C=2040761	
		APPLICATION SPEC 取付適用規格 114-XXXXX		RESTRICTED TO -	
		WEIGHT 0.02g		SCALE 尺度 16:1	
		CUSTOMER DRAWING		SHEET 2 OF 2 REV A	

Mouser Electronics

Authorized Distributor

Click to View Pricing, Inventory, Delivery & Lifecycle Information:

[TE Connectivity:](#)

[2040761-1](#)