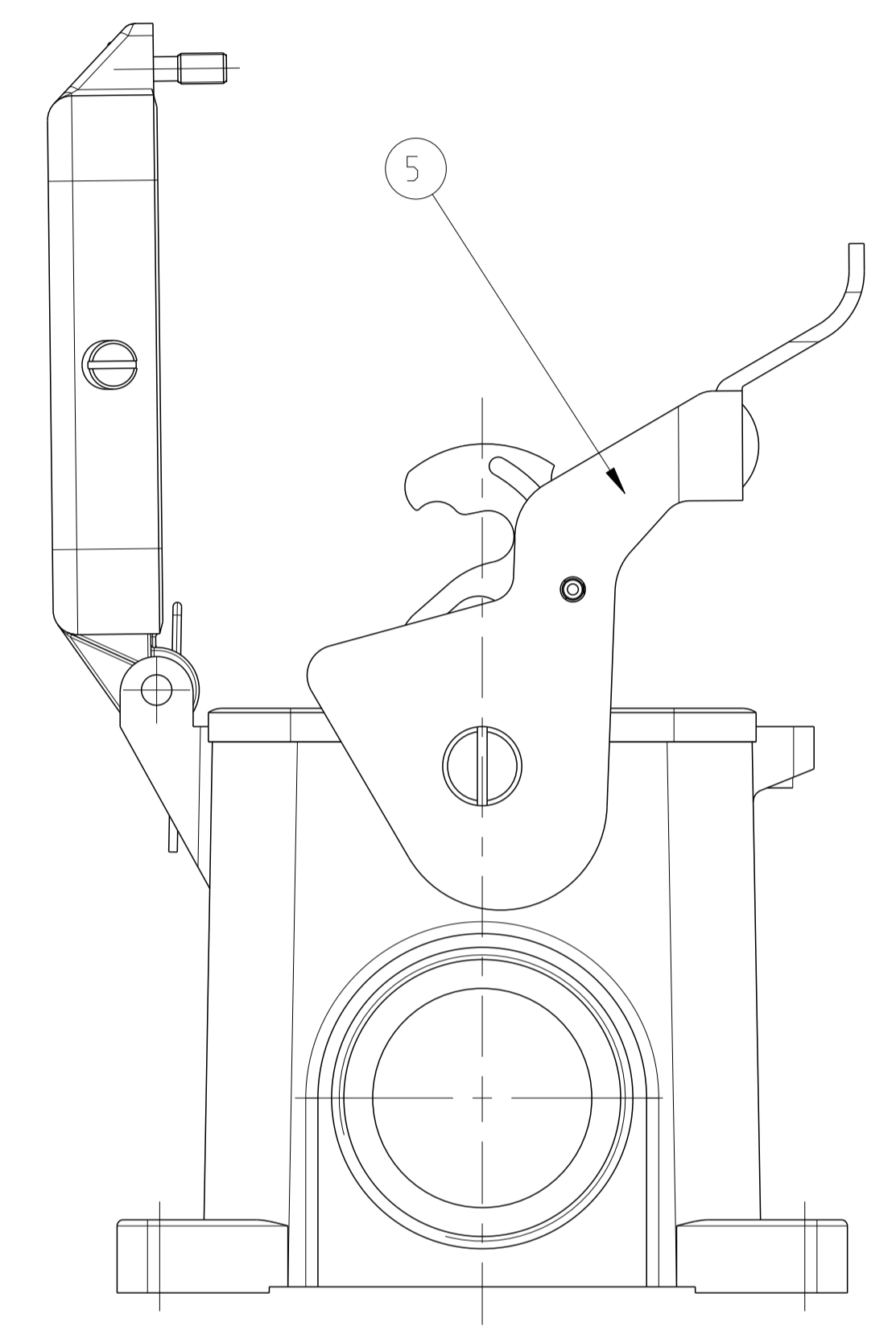
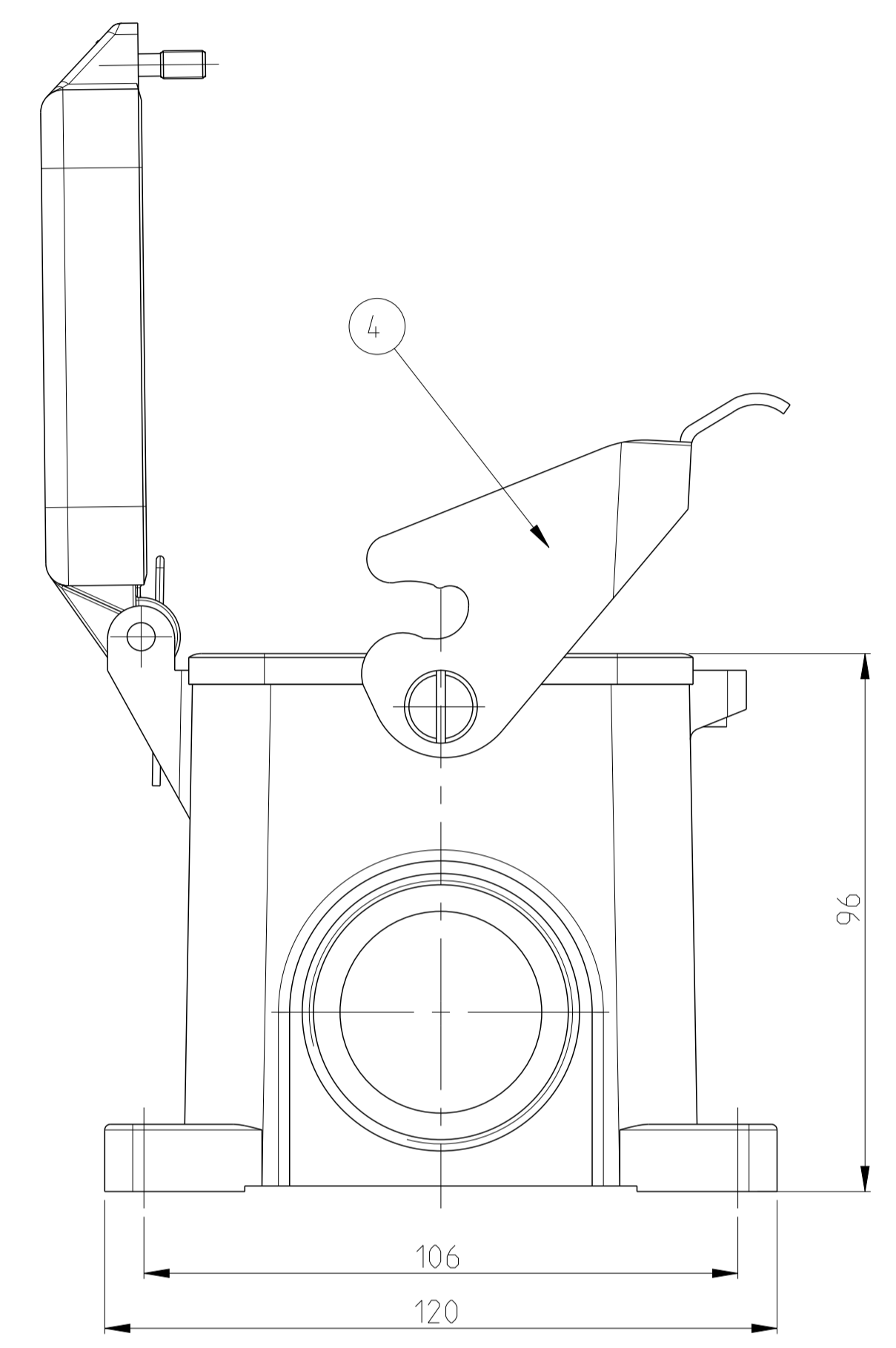
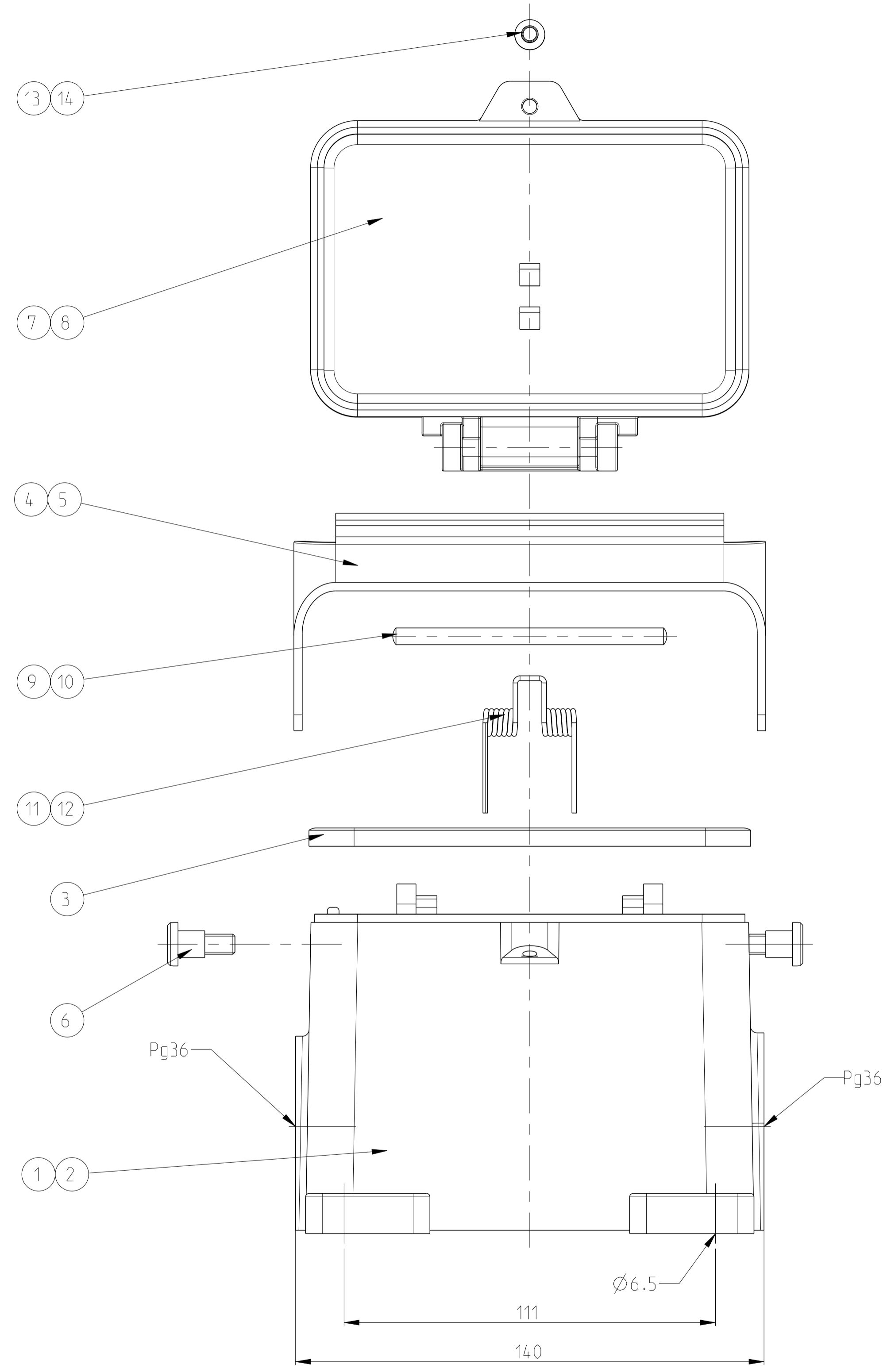


LOC		DIST		REVISIONS			
P	LTN	DESCRIPTION	DATE	DWN	APVD		
A3		NEW PRO-E DRAWING / ECR-09-003111	05MAR2009	SR	AR		
A4		ECR-15-000844	29JAN2015	GSK	MKO		



- NOTES
- PART SHALL BE FREE AND CLEAN OF BURRS AND OTHER FOREIGN MATERIAL
  - PACKAGING: QUANTITY 2 PIECES
  - VARNISHING INSIDE HOUSING NOT REQUIRED

QTY	DESCRIPTION	MATERIAL	SURFACE	COLOR	ITEM	NOTES	
2	CLIP BOLT	STAINLES STEEL	BLANC		15		
1	CYLINDER SCREW	STAINLES STEEL	BLANC		14	M5x16	
1	CYLINDER SCREW	STEEL	ZINC PLATED	BLUE	13	M5x16	
1	LEG SPRING	STAINLES STEEL	BLANC		12		
1	LEG SPRING	STEEL	ZINC PLATED	BLUE	11		
1	RIVET PIN	STAINLES STEEL	BLANC		10	5x80	
1	RIVET PIN	STEEL	ZINC PLATED	BLUE	9	5x80	
1	COVER	ALUMINIUM	ALUMINIUM OXID	BLACK	8		
1	COVER	ALUMINIUM		GREY	7		
2	SLOTTED PAN HEAD SCREW	STAINLESS STEEL	BLANC		6	M6x8	
1	SIDE CLIP	STAINLESS STEEL	BLANC		5		
1	SIDE CLIP	STEEL	ZIC PLATED	BLUE	4		
1	PRPOFIL SEAL	NEOPRENE		BLACK	3		
1	SURFACE MOUNTED HOUSING SIDE ENTRY	ALUMINIUM	ALUMINIUM OXID	BLACK	2		
1	SURFACE MOUNTED HOUSING SIDE ENTRY	ALUMINIUM		GREY	1		
2-2	1-2	DESCRIPTION	MATERIAL	SURFACE	COLOR	ITEM	NOTES
		HB.48.SGD-LB.2.36.Z					
		HB-K.48.SGD-LB.2.36.Z					

THIS DRAWING IS A CONTROLLED DOCUMENT. DWN: R.SCHNEIDER 03FEB2009  
 CHK: T.SCHNURPEL 03FEB2009

TE Connectivity

NAME: SURFACE MOUNTED HOUSING SIDE ENTRY  
 HB.48.SGD-LB.2.36.Z

SIZE: A1 CAGE CODE: 00779 DRAWING NO: 1107007  
 SCALE: 5:1 SHEET 1 OF 1 REV: A4

CUSTOMER DRAWING

# Mouser Electronics

Authorized Distributor

Click to View Pricing, Inventory, Delivery & Lifecycle Information:

[TE Connectivity:](#)

[1-1107007-2](#)