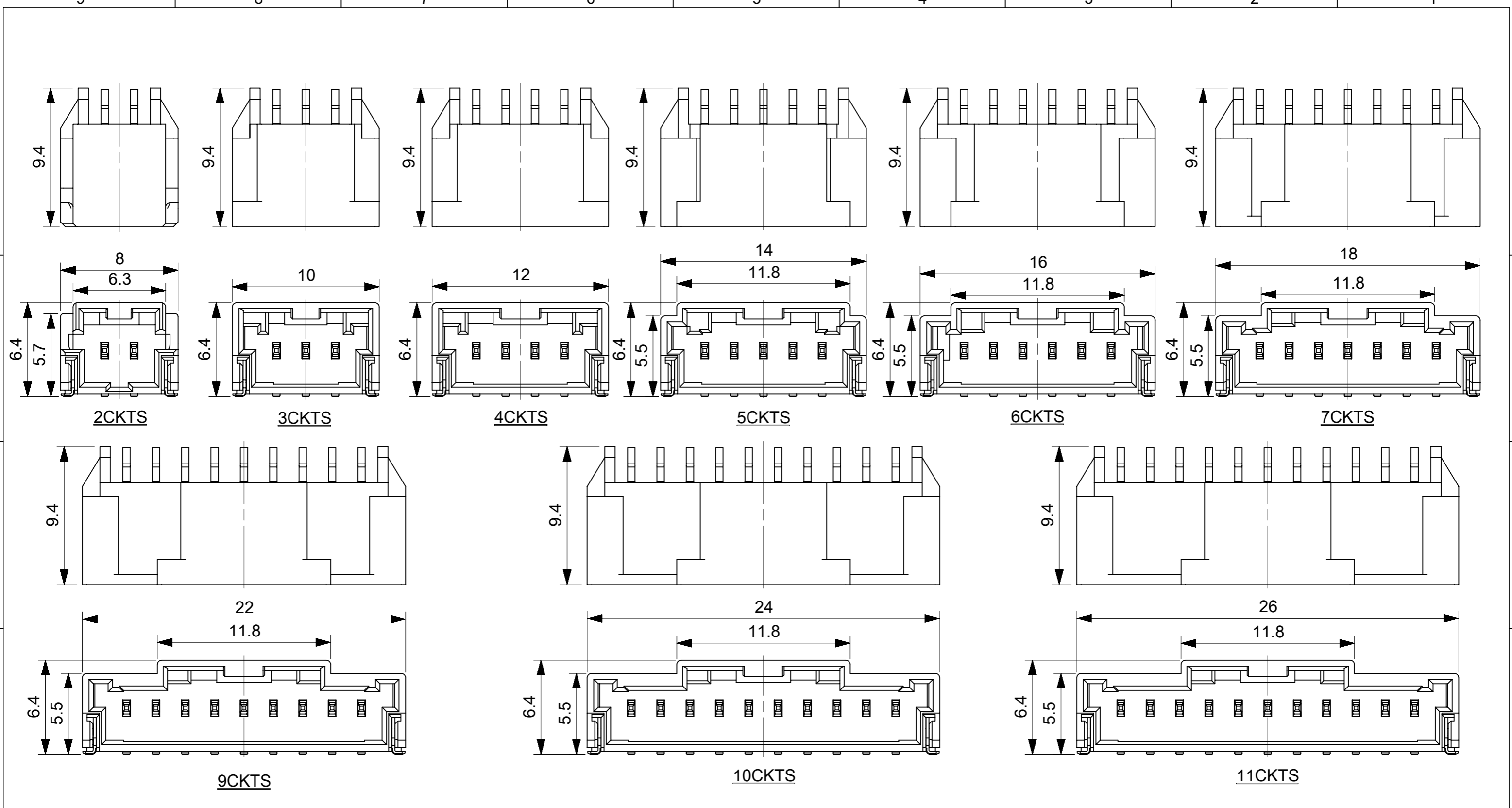


- 注記  
NOTES
- 材質  
ハウジング：耐熱性ナイロンUL94V-0  
ピン：銅合金、ニッケル下地、錫メッキ、金メッキ  
フィッティングネール：銅合金、ニッケル下地、錫メッキ  
MATERIAL  
HOUSING:POLYAMIDE UL94V-0  
PIN: COPPER ALLOY, GOLD OR TIN OVER NICKEL PLATE.  
FITTING NAIL: COPPER ALLOY, TIN OVER NICKEL PLATE.
  - 色：ナチュラル、黒、赤、青  
COLOR:NATURAL, BLACK, RED, BLUE
  - 嵌合相手  
ハウジング：502351-\*\*0\*  
錫メッキ端子：50212-8\*00,50372-8\*00,560085-0101  
金メッキ端子：56161-8\*81  
MATES WITH  
HOUSING:502351-\*\*0\*  
SN PLATING TERMINAL:50212-8\*00,50372-8\*00,560085-0101  
AU PLATING TERMINAL:56161-8\*81
  - エンボス梱包品の詳細はSD-502352-002参照  
DETAILED TAPING PACKAGE, SEE SD-502352-002.
  - ELV及びRoHS適合  
ELV AND RoHS COMPLIANT
  - 半田付け面のコプラナリティ：0.1mm MAX.  
CO-PLANARITY OF SOLDERING TAILS TO BE 0.1mm MAX.

- 7.一般公差  
GENERAL TOLERANCES  
10 UNDER: 0.2  
10 OVER 30 UNDER:0.25  
30 OVER: 0.3  
ANGULAR: ±3°

THIS DRAWING CONTAINS INFORMATION THAT IS PROPRIETARY TO MOLEX ELECTRONIC TECHNOLOGIES, LLC AND SHOULD NOT BE USED WITHOUT WRITTEN PERMISSION		CURRENT REV DESC:		<b>molex</b>	
DIMENSION UNITS	SCALE				
mm	5:1			2.0MM PITCH W/B CONN. WAFER ASSY R/A SMT	
GENERAL TOLERANCES (UNLESS SPECIFIED)		EC NO: 608817		PRODUCT CUSTOMER DRAWING	
ANGULAR TOL	±	DRWN: MSATO08	2018/12/07	DOCUMENT NUMBER	
4 PLACES	±	CHK'D: HKOMATSU	2018/12/07	SD-502352-001	
3 PLACES	±	APPR: TOSADA	2018/12/07	DOC TYPE	DOC PART
2 PLACES	±	INITIAL REVISION:		PSD	001
1 PLACE	±	DRWN: SHSHIBATA	2008/01/23	REVISION	
0 PLACES	±	APPR: AKANESHIGE	2008/04/23	L2	
DRAFT WHERE APPLICABLE MUST REMAIN WITHIN DIMENSIONS		THIRD ANGLE PROJECTION	DRAWING	SERIES	MATERIAL NUMBER
			A3-SIZE	502352	SEE CHART
				CUSTOMER	SHEET NUMBER
				GENERAL MARKET	1 OF 4

DOCUMENT STATUS	P1	RELEASE DATE	2018/12/07	08:35:17
-----------------	----	--------------	------------	----------



THIS DRAWING CONTAINS INFORMATION THAT IS PROPRIETARY TO MOLEX ELECTRONIC TECHNOLOGIES, LLC AND SHOULD NOT BE USED WITHOUT WRITTEN PERMISSION			
DIMENSION UNITS	SCALE	CURRENT REV DESC:	
mm	4:1		
GENERAL TOLERANCES (UNLESS SPECIFIED)			
ANGULAR TOL	±	°	
4 PLACES	±		
3 PLACES	±		
2 PLACES	±		
1 PLACE	±		
0 PLACES	±		
DRAFT WHERE APPLICABLE MUST REMAIN WITHIN DIMENSIONS		THIRD ANGLE PROJECTION	DRAWING
			A3-SIZE
		SERIES	502352
		MATERIAL NUMBER	SEE CHART
		CUSTOMER	GENERAL MARKET
		SHEET NUMBER	2 OF 4

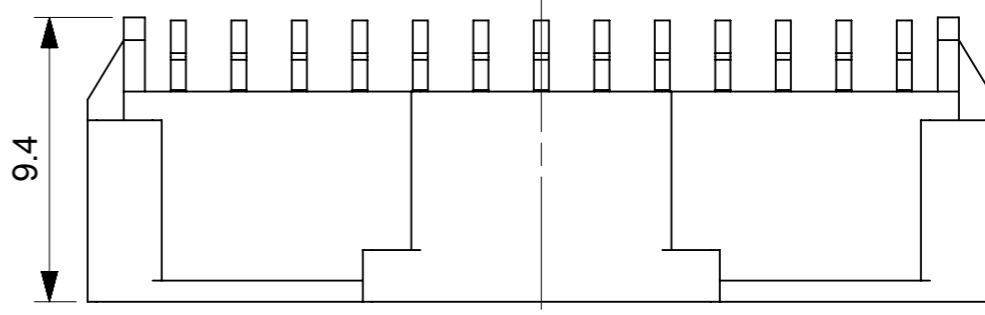
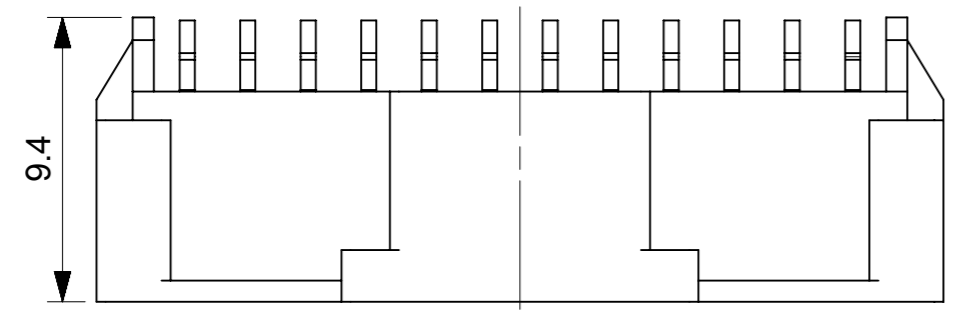
INITIAL REVISION:		
DRWN	SHSHIBATA	2007/12/18
CHECK	HKOMATSU	2007/12/18
APPR	AKANESHIGE	2007/12/18

CURRENT REV DESC:		
EC NO:	608817	
DRWN:	MSATO08	2018/12/07
CHK'D:	HKOMATSU	2018/12/07
APPR:	TOSADA	2018/12/07
INITIAL REVISION:		
DRWN:	SHSHIBATA	2008/01/23
APPR:	AKANESHIGE	2008/04/23

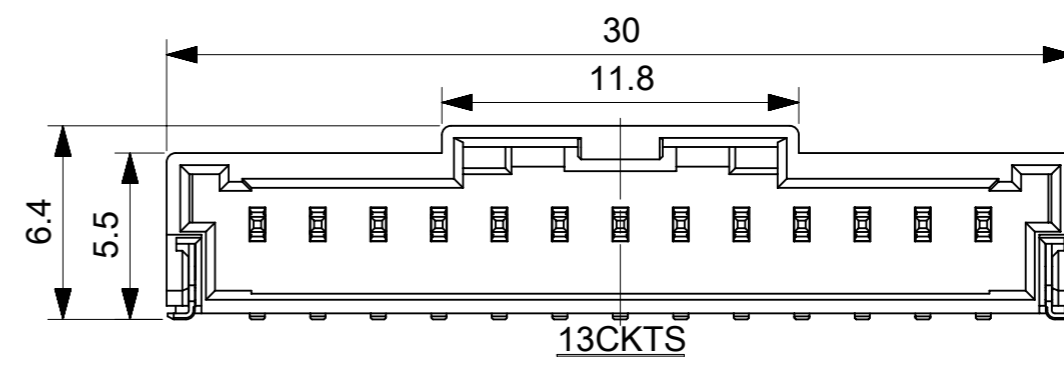
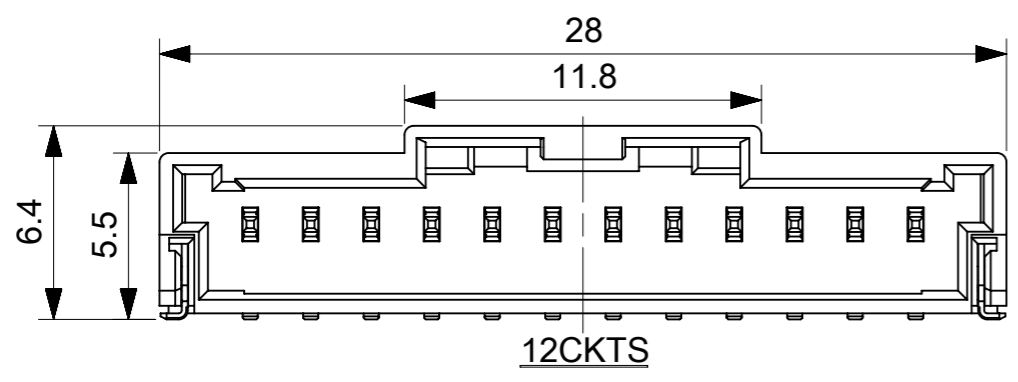
<b>molex</b>		
2.0MM PITCH W/B CONN. WAFER ASSY R/A SMT		
PRODUCT CUSTOMER DRAWING		
DOCUMENT NUMBER	DOC TYPE	DOC PART
SD-502352-001	PSD	001
REVISION	L2	

9 8 7 6 5 4 3 2 1

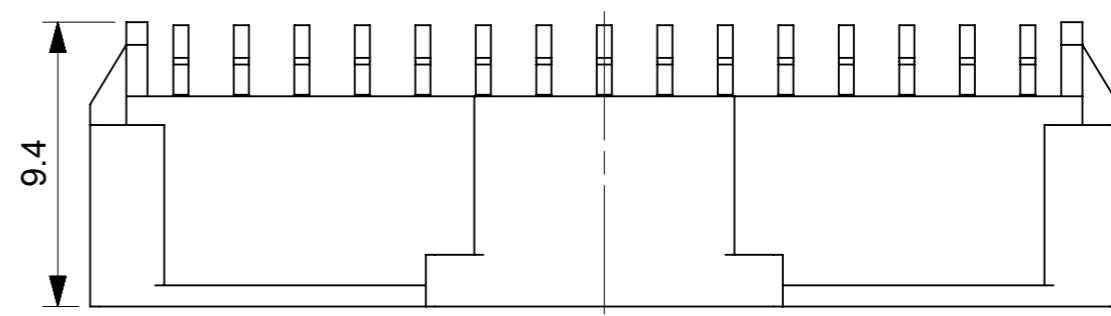
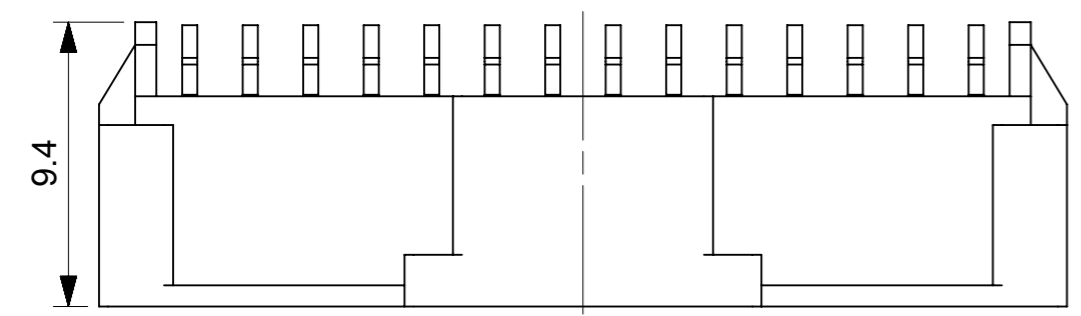
E



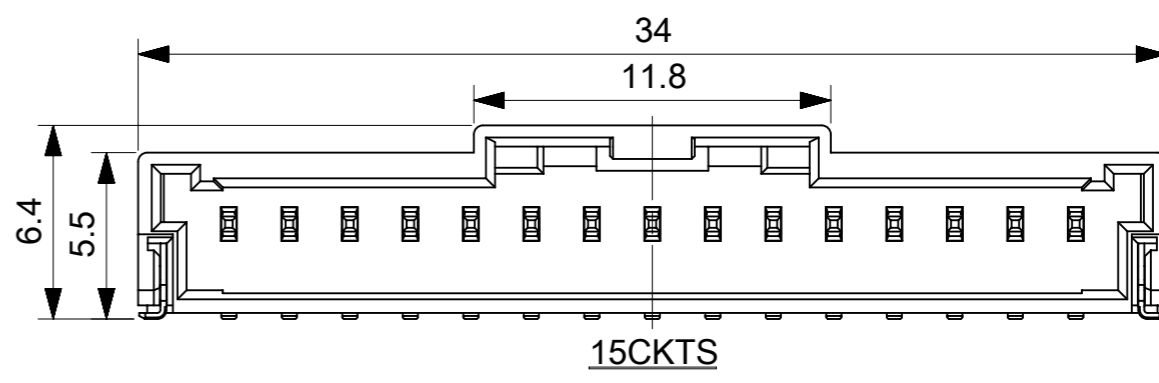
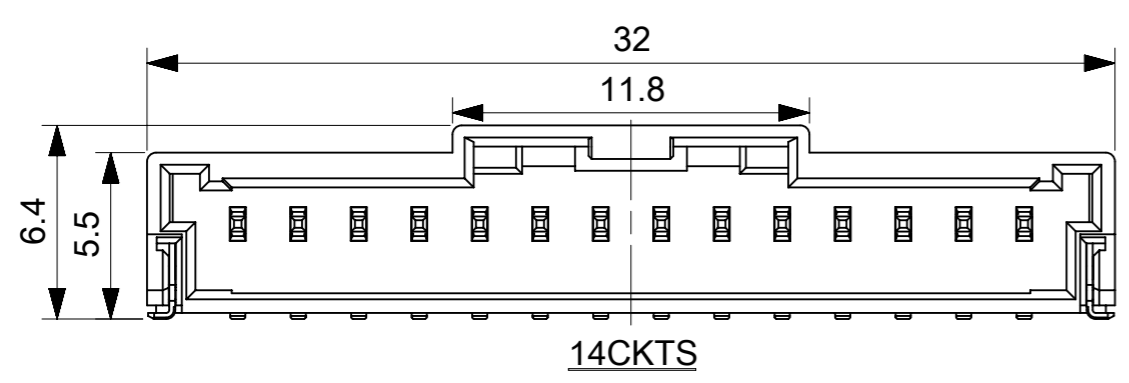
D



C



B



A

THIS DRAWING CONTAINS INFORMATION THAT IS PROPRIETARY TO MOLEX ELECTRONIC TECHNOLOGIES, LLC AND SHOULD NOT BE USED WITHOUT WRITTEN PERMISSION		CURRENT REV DESC:		<b>molex</b>	
DIMENSION UNITS	SCALE	EC NO: 608817			
mm	4:1	DRWN: MSATO08 2018/12/07		2.0MM PITCH W/B CONN. WAFER ASSY R/A SMT	
GENERAL TOLERANCES (UNLESS SPECIFIED)		CHK'D: HKOMATSU 2018/12/07		PRODUCT CUSTOMER DRAWING	
ANGULAR TOL	± °	APPR: TOSADA 2018/12/07		DOCUMENT NUMBER	
4 PLACES	±	INITIAL REVISION:		SD-502352-001	
3 PLACES	±	DRWN: SHSHIBATA 2008/01/23		DOC TYPE	
2 PLACES	±	APPR: AKANESHIGE 2008/01/23		PSD	
1 PLACE	±	DRAFT WHERE APPLICABLE		DOC PART	
0 PLACES	±	MUST REMAIN WITHIN DIMENSIONS		001	
THIRD ANGLE PROJECTION		DRAWING		REVISION	
A3-SIZE		SERIES		L2	
SEE CHART		MATERIAL NUMBER		SHEET NUMBER	
GENERAL MARKET		502352		3 OF 4	

INITIAL REVISION:		
DRWN	SHSHIBATA	2007/12/18
CHECK	HKOMATSU	2007/12/18
APPR	AKANESHIGE	2007/12/18

DOCUMENT STATUS	P1	RELEASE DATE	2018/12/07	08:35:17
-----------------	----	--------------	------------	----------

9 8 7 6 5 4 3 2 1

FORMAT: master-ib-prod-A3  
REVISION: 11  
DATE: 2018/01/18

Sn NATURAL	34.0	502352-1500	15
	32.0	502352-1400	14
	30.0	502352-1300	13
	28.0	502352-1200	12
	26.0	502352-1100	11
	24.0	502352-1000	10
	22.0	502352-0900	9
	20.0	502352-0800	8
	18.0	502352-0700	7
	16.0	502352-0600	6
	14.0	502352-0500	5
	12.0	502352-0400	4
10.0	502352-0300	3	
8.0	502352-0200	2	

PLATING COLOR	A	EMBOSSED PACKAGE ORDER NO.	CKTS
CONNECTOR SERIES NO. 502352-**08			

Sn BLACK	34.0	502352-1501	15
	32.0	502352-1401	14
	30.0	502352-1301	13
	28.0	502352-1201	12
	26.0	502352-1101	11
	24.0	502352-1001	10
	22.0	502352-0901	9
	20.0	502352-0801	8
	18.0	502352-0701	7
	16.0	502352-0601	6
	14.0	502352-0501	5
	12.0	502352-0401	4
10.0	502352-0301	3	
8.0	502352-0201	2	

PLATING COLOR	A	EMBOSSED PACKAGE ORDER NO.	CKTS
CONNECTOR SERIES NO. 502352-**28			

Au NATURAL	34.0	502352-1510	15
	32.0	502352-1410	14
	30.0	502352-1310	13
	28.0	502352-1210	12
	26.0	502352-1110	11
	24.0	502352-1010	10
	22.0	502352-0910	9
	20.0	502352-0810	8
	18.0	502352-0710	7
	16.0	502352-0610	6
	14.0	502352-0510	5
	12.0	502352-0410	4
10.0	502352-0310	3	
8.0	502352-0210	2	

PLATING COLOR	A	EMBOSSED PACKAGE ORDER NO.	CKTS
CONNECTOR SERIES NO. 502352-**18			

Sn RED	-	-	15
	-	-	14
	-	-	13
	-	-	12
	-	-	11
	-	-	10
	-	-	9
	20.0	502352-0802	8
	-	-	7
	16.0	502352-0602	6
	-	-	5
	12.0	502352-0402	4
10.0	502352-0302	3	
8.0	502352-0202	2	

PLATING COLOR	A	EMBOSSED PACKAGE ORDER NO.	CKTS
CONNECTOR SERIES NO. 502352-**48			

Sn BLUE	-	-	15
	-	-	14
	-	-	13
	-	-	12
	-	-	11
	-	-	10
	-	-	9
	20.0	502352-0803	8
	-	-	7
	16.0	502352-0603	6
	-	-	5
	12.0	502352-0403	4
10.0	502352-0303	3	
8.0	502352-0203	2	

PLATING COLOR	A	EMBOSSED PACKAGE ORDER NO.	CKTS
CONNECTOR SERIES NO. 502352-**68			

Sn BLUE	-	-	15
	-	-	14
	-	-	13
	-	-	12
	-	-	11
	-	-	10
	-	-	9
	20.0	502352-0803	8
	-	-	7
	16.0	502352-0603	6
	-	-	5
	12.0	502352-0403	4
10.0	502352-0303	3	
8.0	502352-0203	2	

PLATING COLOR	A	EMBOSSED PACKAGE ORDER NO.	CKTS
CONNECTOR SERIES NO. 502352-**68			

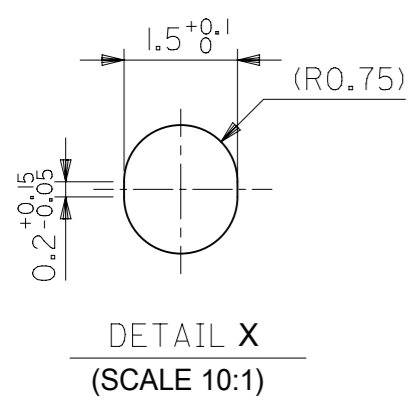
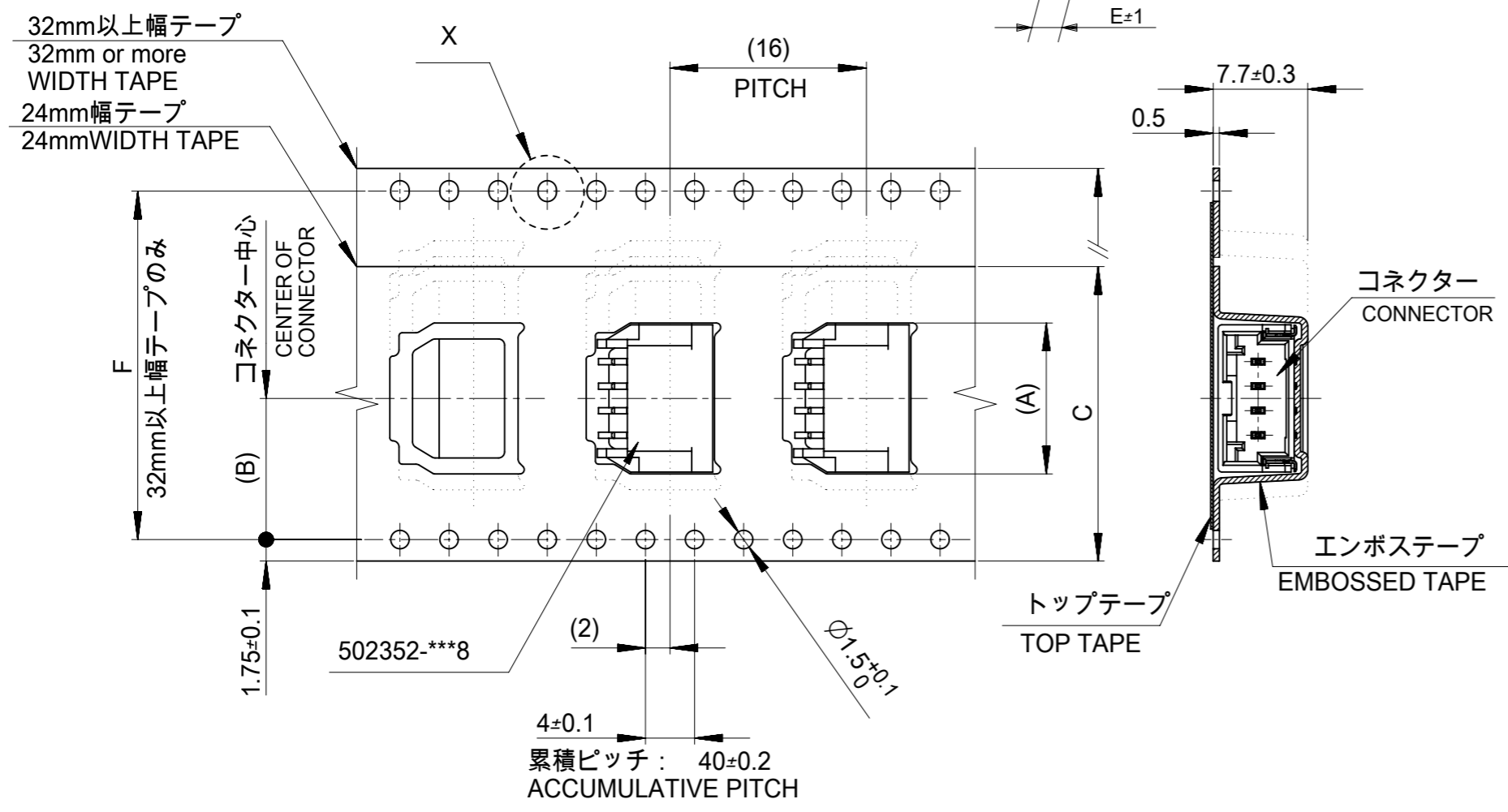
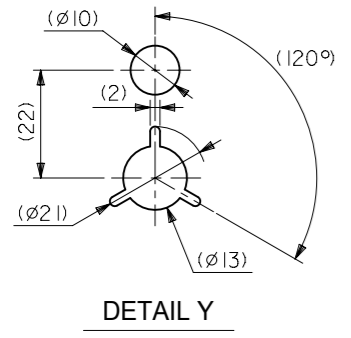
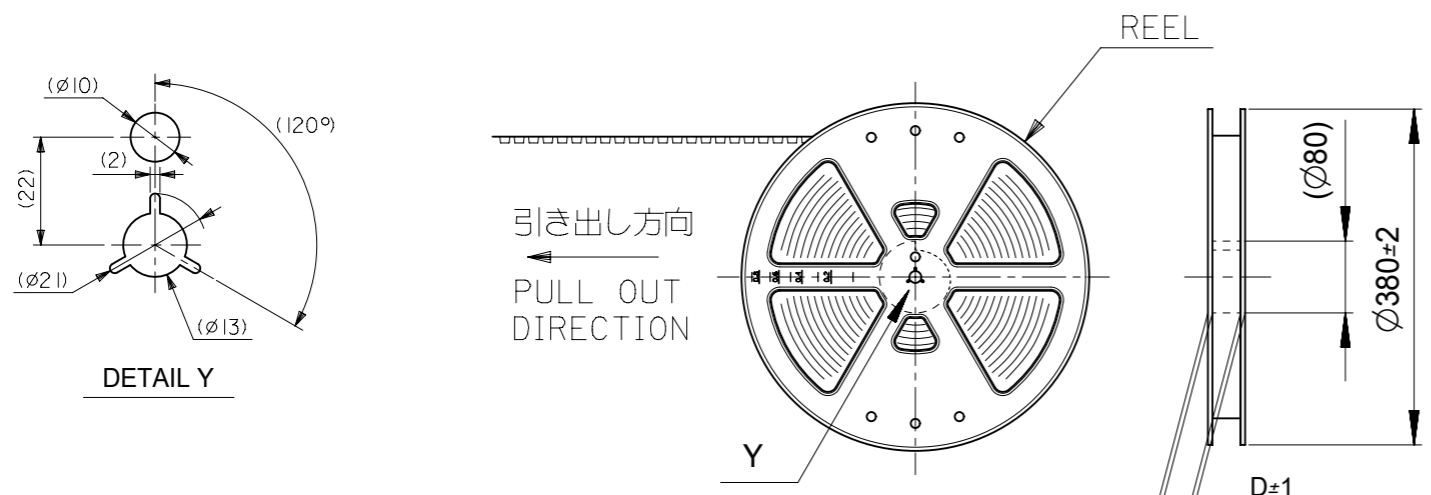
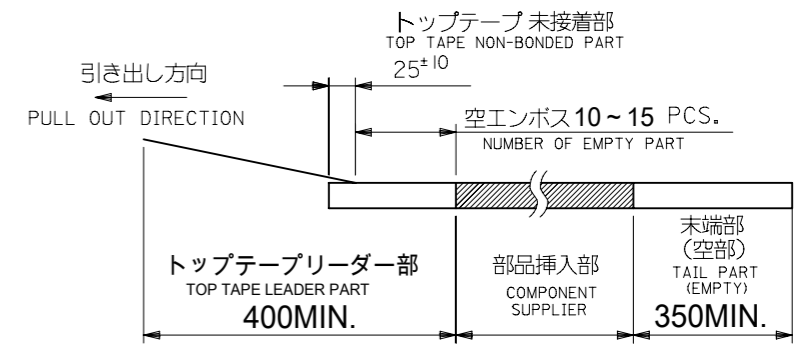
INITIAL REVISION:  
 DRWN SHSHIBATA 2007/12/18  
 CHECK HKOMATSU 2007/12/18  
 APPR AKANESHIGE 2007/12/18

THIS DRAWING CONTAINS INFORMATION THAT IS PROPRIETARY TO MOLEX ELECTRONIC TECHNOLOGIES, LLC AND SHOULD NOT BE USED WITHOUT WRITTEN PERMISSION	
DIMENSION UNITS mm	SCALE 1:1
GENERAL TOLERANCES (UNLESS SPECIFIED) ANGULAR TOL ± °	CURRENT REV DESC:
4 PLACES ±	EC NO: 608817
3 PLACES ±	DRWN: MSATO08 2018/12/07
2 PLACES ±	CHK'D: HKOMATSU 2018/12/07
1 PLACE ±	APPR: TOSADA 2018/12/07
0 PLACES ±	INITIAL REVISION:
DRAFT WHERE APPLICABLE MUST REMAIN WITHIN DIMENSIONS	DRWN: SHSHIBATA 2008/01/23
THIRD ANGLE PROJECTION	APPR: AKANESHIGE 2008/04/23
DRAWING	SERIES
A3-SIZE	502352
MATERIAL NUMBER	CUSTOMER
SEE CHART	GENERAL MARKET
DOCUMENT NUMBER	DOC TYPE
SD-502352-001	PSD
DOC PART	REVISION
001	L2
SHEET NUMBER	
4 OF 4	



注記  
NOTES

- 製品番号  
 ナチュラル・錫めっき: 502352-\*\*00  
 ナチュラル・金めっき: 502352-\*\*10  
 黒・錫めっき: 502352-\*\*01  
 赤・錫めっき: 502352-\*\*02  
 青・錫めっき: 502352-\*\*03  
 詳細寸法については、製品単体図面を参照下さい。  
 PART NO.  
 NATURAL Sn Plating: 502352-\*\*00  
 NATURAL Au Plating: 502352-\*\*10  
 BLACK Sn Plating: 502352-\*\*01  
 RED Sn Plating: 502352-\*\*02  
 BLUE Sn Plating: 502352-\*\*03  
 SEE SALES DRAWING FOR CONNECTOR
- 梱包数量: 700個/リール  
 NUMBER OF CONNECTORS 700PCS/REEL
- リードテープ長さ  
 LEAD TAPE LENGHT
- 材料  
 MATERIAL  
 キャリアテープ: ポリスチレン  
 CARRIER TAPE: POLYSTYRENE  
 トップテープ: PET, PE, PEF  
 TOP TAPE: PET, PE, PEF  
 リール: ポリスチレン  
 REEL: POLYSTYRENE
- 一般降参  
 GENERAL TOLERANCES  
 10 UNDER: 0.2  
 10 OVER 30 UNDER: 0.25  
 30 OVER: 0.3  
 ANGULAR: ±1°


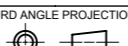


THIS DRAWING CONTAINS INFORMATION THAT IS PROPRIETARY TO MOLEX ELECTRONIC TECHNOLOGIES, LLC AND SHOULD NOT BE USED WITHOUT WRITTEN PERMISSION		CURRENT REV DESC:		<b>molex</b>	
DIMENSION UNITS	SCALE				
mm	NTS			2.0MM PITCH W/B CONN. WAFER ASSY EMBOSSSED TAPE PACKAGE	
GENERAL TOLERANCES (UNLESS SPECIFIED)		EC NO: 177053		PRODUCT CUSTOMER DRAWING	
ANGULAR TOL	± °	DRWN: RHORI	2018/05/21	DOCUMENT NUMBER	
4 PLACES	±	CHK'D: HKOMATSU	2018/05/23	SD-502352-002	
3 PLACES	±	APPR: TOSADA	2018/05/23	DOC TYPE	DOC PART
2 PLACES	±	INITIAL REVISION:		PSD	001
1 PLACE	±	DRWN: SHSHIBATA	2007/06/19	REVISION	
0 PLACES	±	APPR: AKANESHIGE	2007/06/19	K	
DRAFT WHERE APPLICABLE MUST REMAIN WITHIN DIMENSIONS		THIRD ANGLE PROJECTION	DRAWING	SERIES	MATERIAL NUMBER
		⊕ ⊞	A3-SIZE	502352	CUSTOMER
				SEE CHART	GENERAL MARKET
				SHEET NUMBER	
				1 OF 2	

INITIAL REVISION:		
DRWN	SHSHIBATA	2007/06/06
CHECK	TAITO	2007/06/06
APPR	MAYAMAMOTO	2012/03/14

E	Sn NATURAL	52.4	61.4	57.4	56	26.2	34.3	502352-1500	15	Au NATURAL	52.4	61.4	57.4	56	26.2	34.3	502352-1510	15
							32.3	502352-1400	14							32.3	502352-1410	14
		40.4	49.4	45.4	44	20.2	30.3	502352-1300	13		40.4	49.4	45.4	44	20.2	30.3	502352-1310	13
							28.3	502352-1200	12							28.3	502352-1210	12
							26.3	502352-1100	11							26.3	502352-1110	11
							24.3	502352-1000	10							24.3	502352-1010	10
		28.4	37.4	33.4	32	14.2	22.3	502352-0900	9		28.4	37.4	33.4	32	14.2	22.3	502352-0910	9
							20.3	502352-0800	8							20.3	502352-0810	8
							18.3	502352-0700	7							18.3	502352-0710	7
							16.3	502352-0600	6							16.3	502352-0610	6
/	29.4	25.4	24	11.5	14.3	502352-0500	5	/	29.4	25.4	24	11.5	14.3	502352-0510	5			
					12.3	502352-0400	4						12.3	502352-0410	4			
					10.3	502352-0300	3						10.3	502352-0310	3			
					8.3	502352-0200	2						8.3	502352-0210	2			
PLATING COLOR	F	E	D	C	(B)	(A)	エンボス梱包品 製品番号 MATERIAL NO.	極数 CKT.	PLATING COLOR	F	E	D	C	(B)	(A)	エンボス梱包品 製品番号 MATERIAL NO.	極数 CKT.	

C	Sn BLACK	52.4	61.4	57.4	56	26.2	34.3	502352-1501	15	Sn RED	/	/	/	/	/	/	/	/	/	/						
							32.3	502352-1401	14																	
		40.4	49.4	45.4	44	20.2	30.3	502352-1301	13		40.4	49.4	45.4	44	20.2	30.3	502352-1301	13								
							28.3	502352-1201	12							28.3	502352-1201	12								
							26.3	502352-1101	11							26.3	502352-1101	11								
							24.3	502352-1001	10							24.3	502352-1001	10								
		28.4	37.4	33.4	32	14.2	22.3	502352-0901	9		28.4	37.4	33.4	32	14.2	20.3	502352-0801	8								
							20.3	502352-0801	8							20.3	502352-0802	8								
							18.3	502352-0701	7							18.3	502352-0701	7								
							16.3	502352-0601	6							16.3	502352-0602	6								
/	29.4	25.4	24	11.5	14.3	502352-0501	5	/	29.4	25.4	24	11.5	12.3	502352-0401	4											
					12.3	502352-0401	4						12.3	502352-0402	4											
					10.3	502352-0301	3						10.3	502352-0302	3											
					8.3	502352-0201	2						8.3	502352-0202	2											
PLATING COLOR	F	E	D	C	(B)	(A)	エンボス梱包品 製品番号 MATERIAL NO.	極数 CKT.	PLATING COLOR	F	E	D	C	(B)	(A)	エンボス梱包品 製品番号 MATERIAL NO.	極数 CKT.	PLATING COLOR	F	E	D	C	(B)	(A)	エンボス梱包品 製品番号 MATERIAL NO.	極数 CKT.

DOCUMENT STATUS		P1	RELEASE DATE	2018/05/23	09:22:50
INITIAL REVISION:		DRWN	SHSHIBATA	2007/06/06	
		CHECK	TAITO	2007/06/06	
		APPR	MAYAMAMOTO	2012/03/14	
THIS DRAWING CONTAINS INFORMATION THAT IS PROPRIETARY TO MOLEX ELECTRONIC TECHNOLOGIES, LLC AND SHOULD NOT BE USED WITHOUT WRITTEN PERMISSION		CURRENT REV DESC:			
DIMENSION UNITS: mm		SCALE: NTS		EC NO: 177053 DRWN: RHORI 2018/05/21 CHK'D: HKOMATSU 2018/05/23 APPR: TOSADA 2018/05/23	
GENERAL TOLERANCES (UNLESS SPECIFIED)		ANGULAR TOL ±		PRODUCT CUSTOMER DRAWING DOCUMENT NUMBER: SD-502352-002 DOC TYPE: PSD DOC PART: 001 REVISION: K	
4 PLACES ±		3 PLACES ±		INITIAL REVISION: DRWN: SHSHIBATA 2007/06/19 APPR: AKANESHIGE 2007/06/19	
2 PLACES ±		1 PLACE ±		DRAFT WHERE APPLICABLE MUST REMAIN WITHIN DIMENSIONS	
3 PLACES ±		2 PLACES ±		THIRD ANGLE PROJECTION 	
DRAWING: A3-SIZE		SERIES: 502352		MATERIAL NUMBER: SEE CHART	
CUSTOMER: GENERAL MARKET		SHEET NUMBER: 2 OF 2			