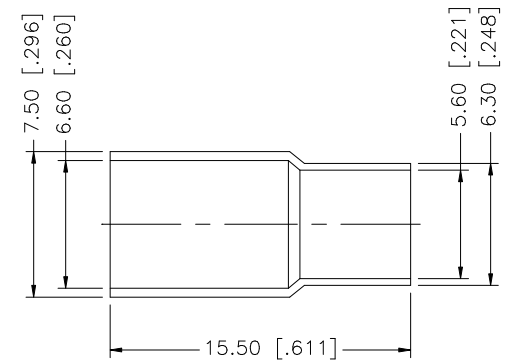
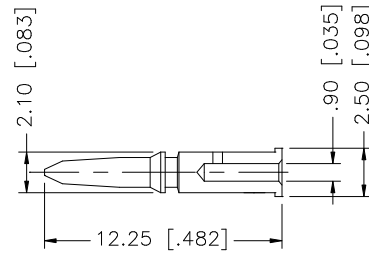
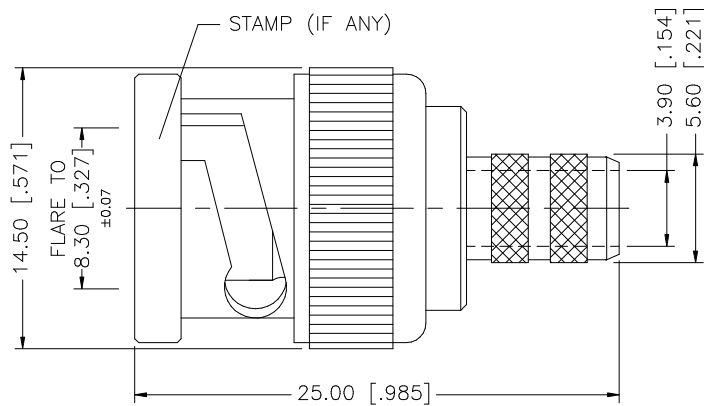
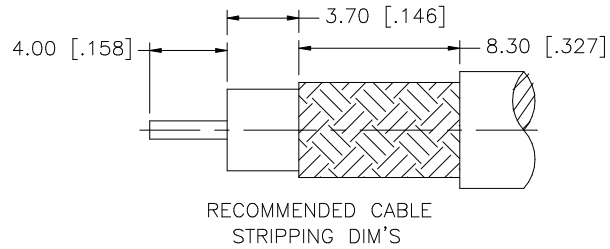


| REV. | DATE | DESCRIPTION |
|------|----------|----------------------------------|
| A | 06/06/05 | UPDATE DRAWING FORMAT |
| B | 01/22/07 | MODIFY CONTACT PIN I.D. TO 0.9mm |



NOTE:

1. CRIMPED FERRULE HEX CRIMP SIZE .255"
2. CRIMPED CONTACT PIN HEX CRIMP SIZE .068"

| DESCRIPTION | MATERIAL | FINISH | QTY | UNLESS OTHERWISE SPECIFIED DIMENSIONS ARE IN MILLIMETERS. DIMENSIONS IN [] ARE IN INCHES AND FOR CUSTOMER REFERENCE ONLY. | APPROVALS | DATE | Amphenol Connex | | | | | | | |
|-------------|-------------|---------|---------|--|----------------------|-------------------|------------------|---|------|---|------|----------|-------|----|
| 8 | | | | UNLESS OTHERWISE SPECIFIED TOLERANCES FOR MILLIMETERS ARE: 0.5 - 8mm ± 0.20mm 8 - 30mm ± 0.40mm 30 - 120mm ± 0.50mm UNLESS OTHERWISE SPECIFIED TOLERANCES FOR INCHES ARE: .020 - .315 = ± 0.007" .315 - 1.180 = ± 0.015" 1.180 - 4.724 = ± 0.020" | DRAWN | G.R.S. | 01/22/07 | BNC CRIMP PLUG (FOR RG-59/U 20AWG CONTACT) | | | | | | |
| 7 | | | CHECKED | | | | PART DESCRIPTION | | | | | | | |
| 6 | | | | | ISSUED | | | | | | | PART NO. | | |
| 5 | FERRULE | COPPER | NICKEL | | 1 | SHEET | 1 OF 1 | 112544 | | | | | | |
| 4 | GASKET | RUBBER | RED | 1 | CAD FILE | C:/112/112544.DWG | DWG. NO. | 112544.DWG | REV. | B | SIZE | A | SCALE | NA |
| 3 | INSULATOR | DELTRIN | NATURAL | 1 | DO NOT SCALE DRAWING | | | | | | | | | |
| 2 | CONTACT PIN | BRASS | GOLD | 1 | | | | | | | | | | |
| 1 | SHELL/BODY | BRASS | NICKEL | 1 | | | | | | | | | | |

Mouser Electronics

Authorized Distributor

Click to View Pricing, Inventory, Delivery & Lifecycle Information:

[Amphenol:](#)

[112544](#)