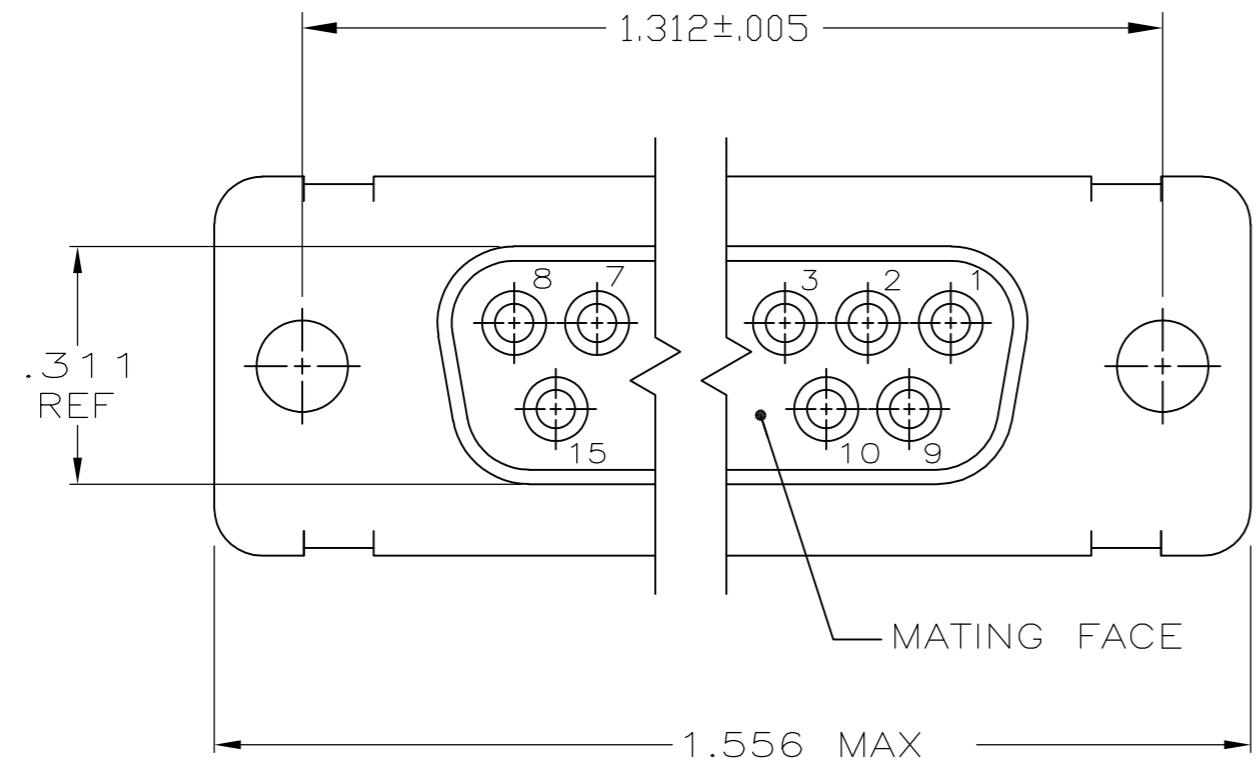


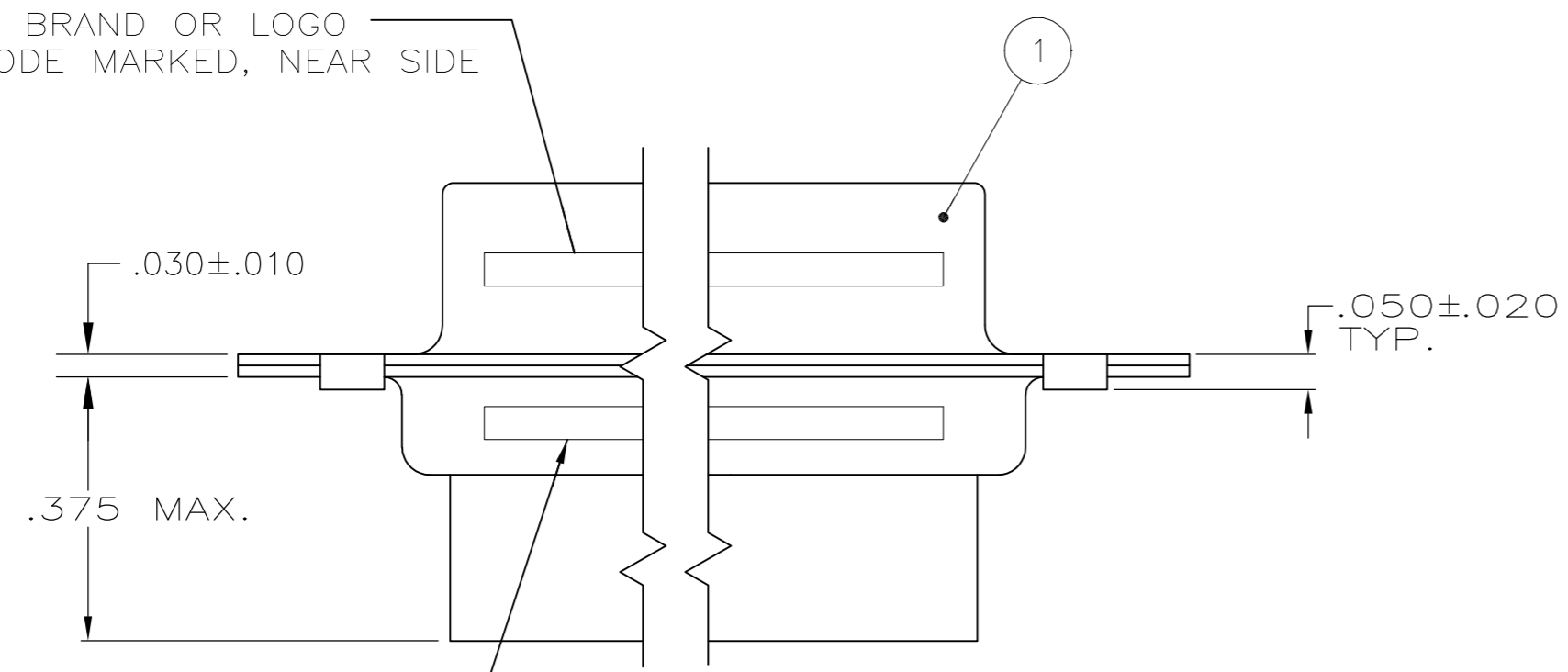
THIS DRAWING IS UNPUBLISHED. RELEASED FOR PUBLICATION
 © COPYRIGHT - By - ALL RIGHTS RESERVED.

LOC		DIST		REVISIONS			
P	LTR	DESCRIPTION	DATE	DWN	APVD		
-	-	H1	REVISED PER ECO-11-005030	11MAR11	RK	HMR	

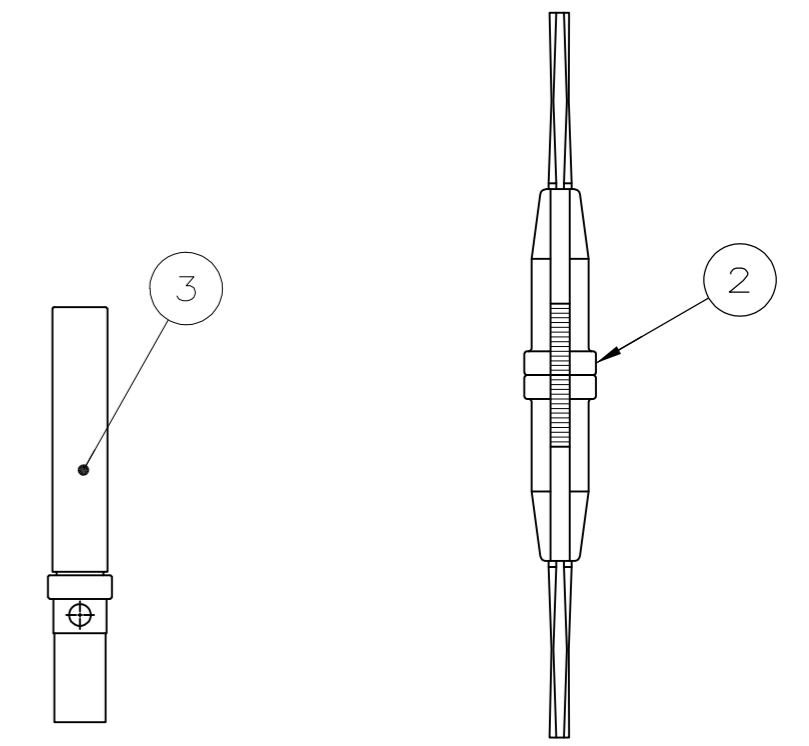
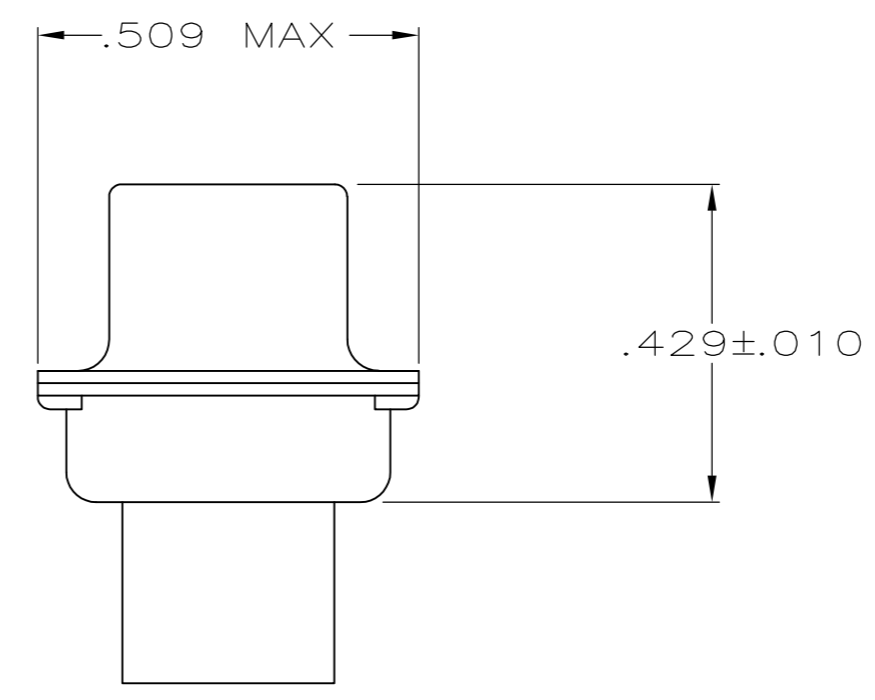


1 FOR CONNECTOR ASSEMBLIES, TE CONNECTIVITY CONTACT PART NOS. 205090-1 MUST BE ORDERED SEPARATELY. CONNECTORS WITH CONTACTS ARE SUPPLIED WITH CONTACT 205090-1

MFG'S NAME, BRAND OR LOGO AND DATE CODE MARKED, NEAR SIDE



MILITARY P/N (SEE TABLE) MARKED, FAR SIDE



	OBSOLETE	205557-3	M24308/6-7F	205090-1	91067-2	205163-2	205557-5
SUPERSEDED BY 205433-2 AND 91067-2		205557-3	M24308/6-2F	205090-1	-	205163-2	205557-4
		205557-3	M24308/2-7F	205090-1	91067-2	205163-1	205557-3
		205557-2	M24308/2-2F	205090-1	-	205163-1	205557-2
SUPERSEDED BY 205417-1 AND 91067-2		205557-1	-	-	91067-2	205163-1	205557-1
	TE CONNECTIVITY P/N MARKED ON PACKAGE	MILITARY P/N MARKED ON PACKAGE	SOCKET CONTACT QTY. = 15	INSERTION/EXTRACTION TOOL QTY. = 1	RECEPTACLE ASSY QTY. = 1	PART NUMBER	

THIS DRAWING IS A CONTROLLED DOCUMENT.

DWN P. YEAGER	10MAR09	 TE Connectivity KIT, HDM SERIES RECEPTACLE, SIZE 2,15 POSITION AMPLIMITE
CHK R. LEASE	12MAR09	
APVD R. LEASE	12MAR09	
PRODUCT SPEC		
APPLICATION SPEC		SIZE: A2 CAGE CODE: 00779 DRAWING NO: C-205557 RESTRICTED TO: -
MATERIAL: -	FINISH: -	WEIGHT: - SCALE: 4:1 SHEET: 1 of 1 REV: H1

CUSTOMER DRAWING

Mouser Electronics

Authorized Distributor

Click to View Pricing, Inventory, Delivery & Lifecycle Information:

[TE Connectivity:](#)

[205557-3](#)