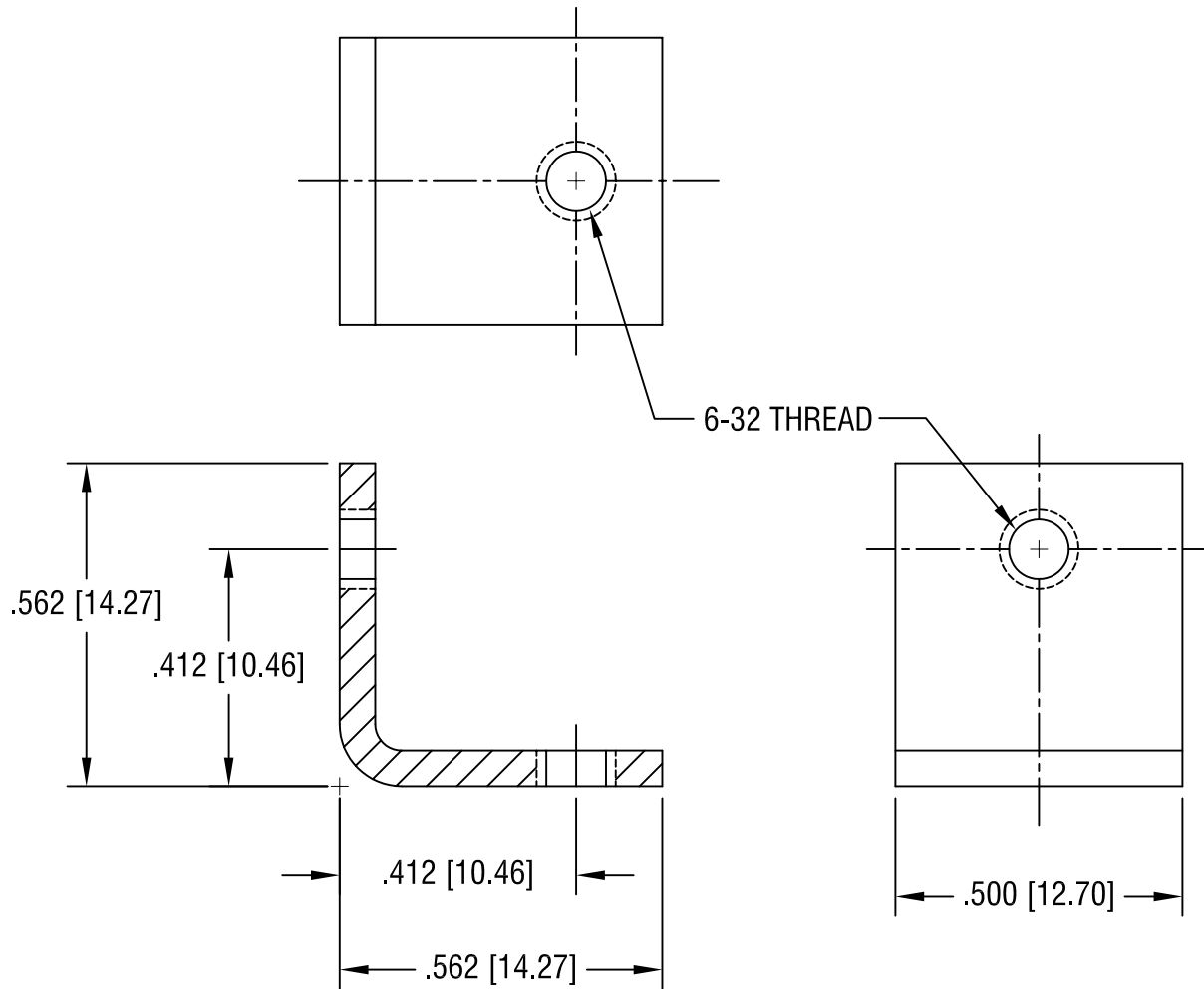


THIS DOCUMENT IS THE PROPERTY OF
KEYSTONE ELECTRONICS CORP. AND
SHALL NOT BE REPRODUCED, DISTRIBUTED
OR USED AS A BASIS FOR MANUFACTURE
WITHOUT PRIOR WRITTEN PERMISSION
FROM KEYSTONE ELECTRONICS CORP.



KEYSTONE ELECTRONICS CORP.

ASTORIA, N.Y. 11105-2017

PART NAME

THREADED MOUNTING BRACKET

MATERIAL

.062 [1.57] TH'K STEEL

FINISH

NICKEL PLATE

DRN BY

BOONE

DATE

10.23.91

APP'D

LN

SCALE

3X

4.7.06

CHANGE AS PER ECN 06-019

A

TOLERANCES

INCH [MM]

CODE

DWG NO.

DECIMAL $\pm .010$ [± 0.25]

C

ANGULAR $\pm 1^\circ$
UNLESS OTHERWISE SPECIFIED

4334

DATE

DESCRIPTION

REV.

Mouser Electronics

Authorized Distributor

Click to View Pricing, Inventory, Delivery & Lifecycle Information:

[Keystone Electronics:](#)

[4334](#)