

SERIES TL 1250 SWITCHES



ILLUMINATED RIGHT ANGLE TACT SWITCH



MECHANICAL SPECIFICATIONS

| | |
|------------------|---------------------------------------|
| Mechanical Life: | 50,000 cycles |
| Force: | 120 ± 60 gf; 180 ± 60 gf; 280 ± 70 gf |
| Travel: | 0.2mm ± 0.1mm |

ELECTRICAL SPECIFICATIONS

| | |
|------------------------------------|------------------|
| Contact Rating: | 12VDC @ 50mA |
| Contact Resistance (Initial Max.): | 100 mOhms @ 5VDC |
| Insulation Resistance (min.@100V): | 100 MOhms |
| Dielectric Strength (1 Min.): | 250VAC |
| Bounce: | 5m Second Max |

FEATURES & BENEFITS

- Right-angle, thru hole termination
- Single color LED options available
- Sharp, tactile response
- Long travel

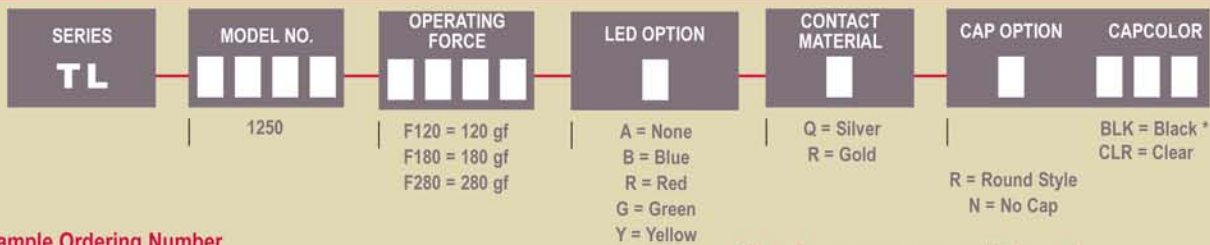
APPLICATIONS / MARKETS

- Telecommunications
- Consumer Electronics
- Audio/visual
- Medical
- Testing/instrumentation
- Computer/servers/peripherals

ENVIRONMENTAL SPECIFICATIONS

| | |
|------------------------|----------------|
| Operating Temperature: | -20°C to +70°C |
|------------------------|----------------|

HOW TO ORDER

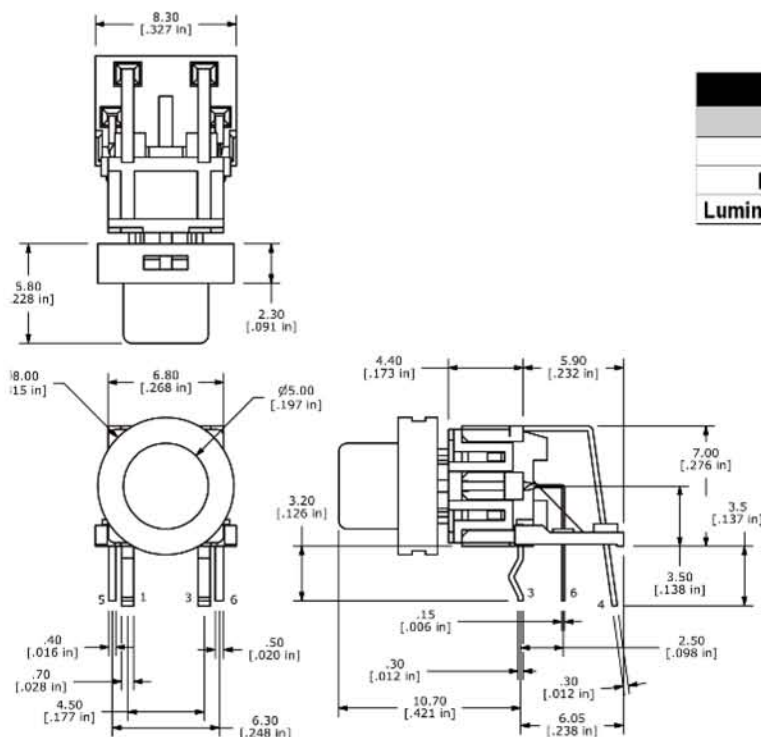


Example Ordering Number

TL1250 F180AQ RCLR

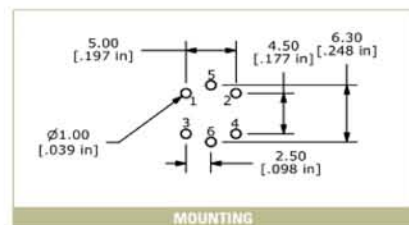
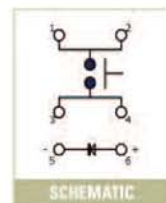
*Denotes an opaque cap, not to be used with an LED

Specifications subject to change without notice.



LED Specifications

| | Blue | Green | Yellow | Red |
|--------------------------------|----------|---------|---------|----------|
| Forward Current (mA) | 20 | 20 | 20 | 20 |
| Forward Voltage @20mA (V) | 3.65-4.2 | 2.1-2.5 | 2.0-2.5 | 1.95-2.5 |
| Luminous Intensity @10mA (mcd) | 250 | 400 | 1800 | 1800 |



Mouser Electronics

Authorized Distributor

Click to View Pricing, Inventory, Delivery & Lifecycle Information:

E-Switch:

[TL1250F180BRRCLR](#) [TL1250F180RRRCLR](#) [TL1250F180GRRCLR](#) [TL1250F280BQRCLR](#) [TL1250F180GQRCLR](#)
[TL1250F280RQRCLR](#) [TL1250F180ARN](#) [TL1250F180BQRCLR](#) [TL1250F280GQRCLR](#) [TL1250F280GRRCLR](#)
[TL1250F280BRRCLR](#) [TL1250F180RQRCLR](#) [TL1250F280RRRCLR](#) [TL1250F120BQRCLR](#)