

Customer Information Sheet

DRAWING No.: M22-532XXXXR

SHEET 3 OF 4

IF IN DOUBT - ASK

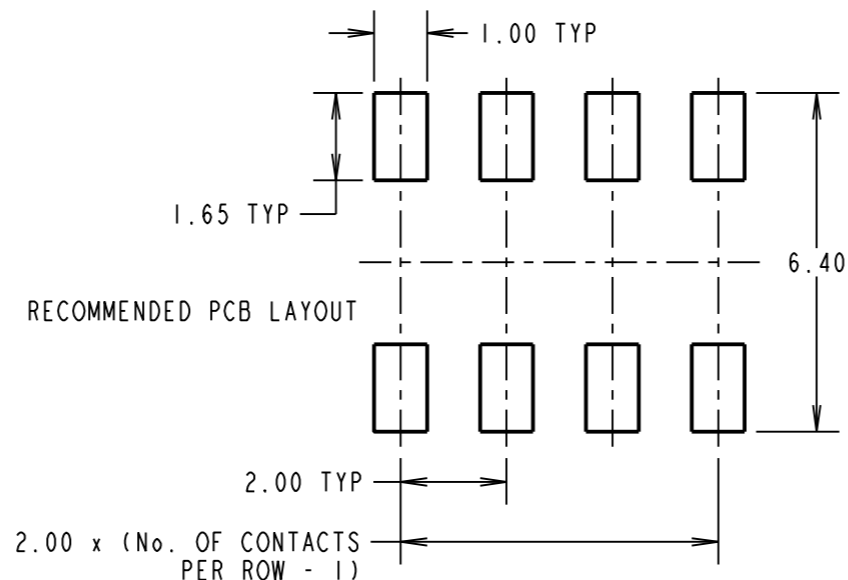
©

NOT TO SCALE

THIRD ANGLE PROJECTION

ALL DIMENSIONS IN mm

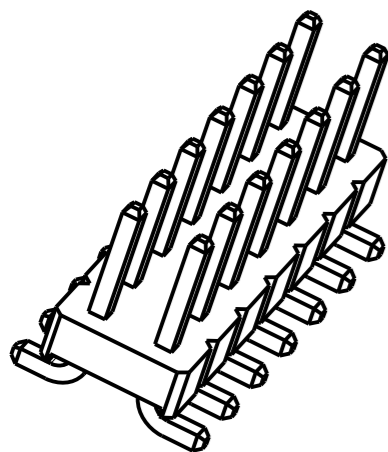
SPECIFICATIONS:
MATERIAL:
 MOULDING, PICK & PLACE CAP = NYLON 6T, UL94V-0, BLACK
 CONTACTS = PHOSPHOR BRONZE
FINISH:
 05 = GOLD
 46 = 100% TIN, OVER NICKEL
ELECTRICAL:
 CURRENT RATING = 1A
 CONTACT RESISTANCE = 20mΩ MAX (GOLD), 30mΩ MAX (TIN)
 INSULATION RESISTANCE = 100MΩ MIN
MECHANICAL:
 DURABILITY = 300 OPERATIONS (GOLD), 50 OPERATIONS (TIN)
 DIELECTRIC STRENGTH = 650V AC/DC
ENVIRONMENTAL:
 TEMPERATURE RANGE = -40°C TO +105°C
 FOR COMPLETE SPECIFICATION, SEE
 COMPONENT SPECIFICATION C018XX (LATEST ISSUE)



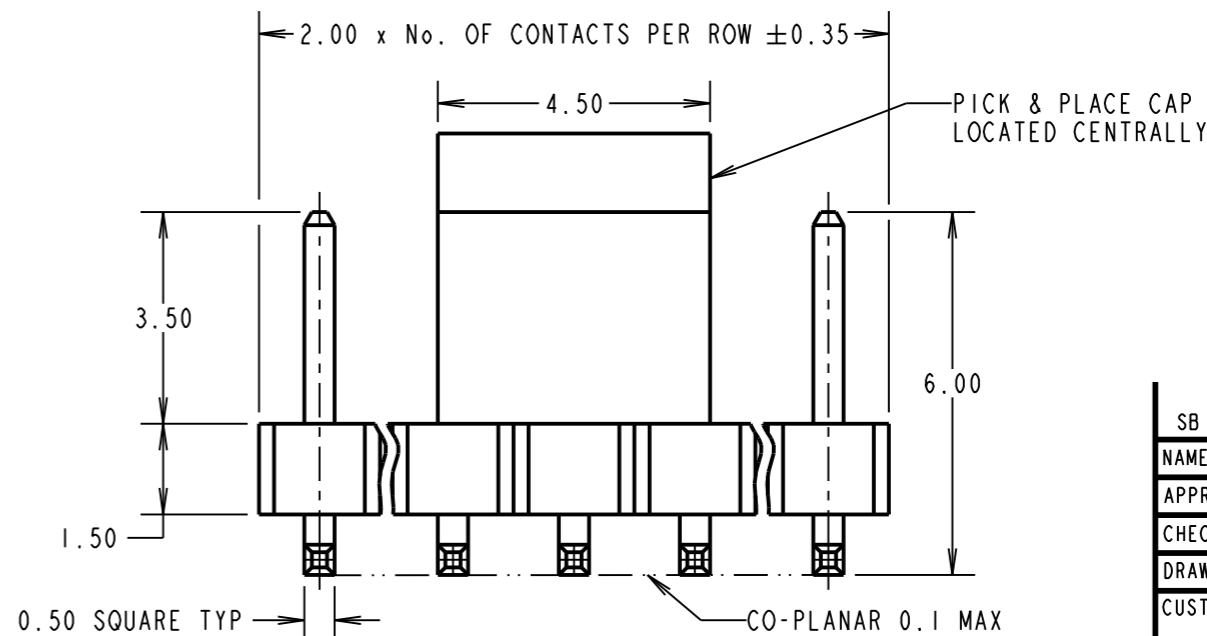
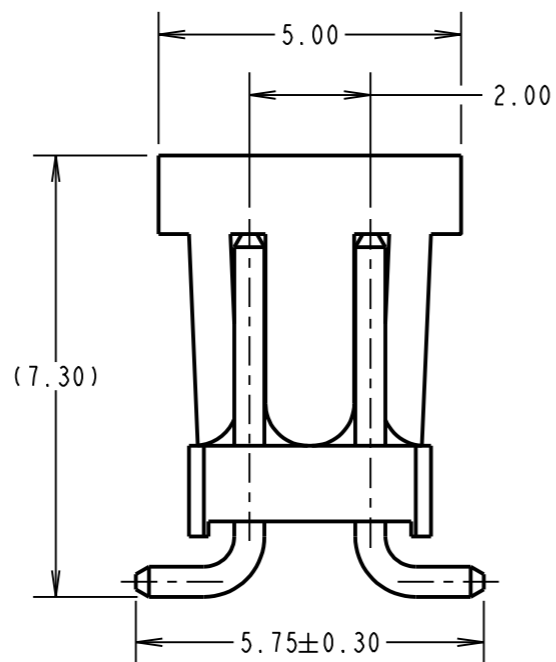
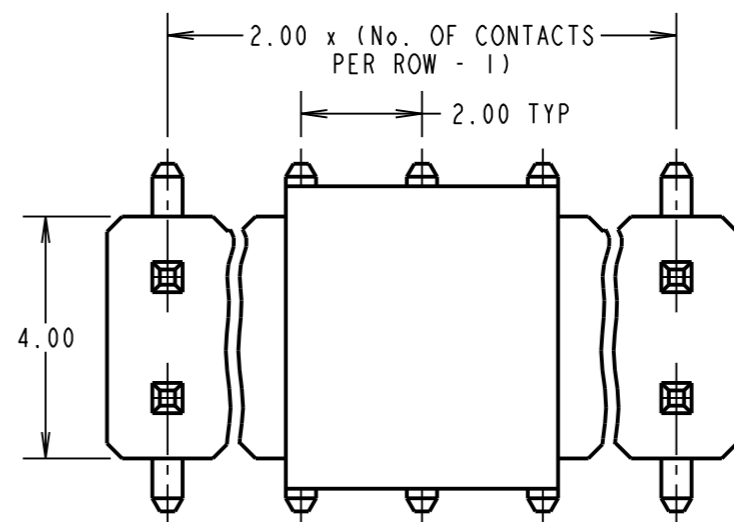
Active products:
 M22-5320205R
 M22-53203XXR
 M22-53205XXR
 M22-5320605R
 M22-5320705R
 M22-5322205R
 M22-5322505R

ORDER CODE:
M22-532XXXXR
 No. OF CONTACTS PER ROW: 02, 03, 05, 07, 08, 09, 10, 11
 FINISH: 05 - GOLD, 46 - 100% TIN

OBSOLETE
 All other size/finish combinations not listed above



PICK AND PLACE CAP HIDDEN FOR ILLUSTRATION ONLY



- NOTES:**
- ALL TOLERANCES ARE ±0.25 UNLESS OTHERWISE STATED.
 - SEE DRAWING M22-532XXXXP FOR PICK AND PLACE VERSION, M22-532XXXX FOR STANDARD PRODUCT.
 - FOR TAPE & REEL DETAILS, SEE SHEET 4.
 - CO-PLANARITY: FLATNESS OF SMT TAILS MUST NOT EXCEED 0.1mm.

HARWIN

www.harwin.com
 technical@harwin.com

THIS DRAWING AND ANY INFORMATION OR DESCRIPTIVE MATTER SET OUT HEREON ARE CONFIDENTIAL AND COPYRIGHT PROPERTY OF THE HARWIN GROUP AND MUST NOT BE DISCLOSED, LOANED, COPIED OR USED FOR MANUFACTURING, TENDERING OR FOR ANY OTHER PURPOSE WITHOUT THEIR WRITTEN PERMISSION.

TOLERANCES

~~X = ±1mm~~
~~X.X = ±0.50mm~~
~~X.XX = ±0.10mm~~
~~X.XXX = ±0.01mm~~
 ANGLES = ±5°
 UNLESS STATED

MATERIAL:

SEE ABOVE

FINISH:

SEE ABOVE

S/AREA:

mm²

TITLE: 2.00mm PITCH DIL SMT PIN HEADER ASSEMBLY (WITH P/PLACE CAP, T/REEL)

DRAWING NUMBER:

M22-532XXXXR

SB	12	27.04.15	12763
NAME	ISS.	DATE	C/NOTE
APPROVED:		S.BENNETT	
CHECKED:		M.PLESTED	
DRAWN:		J.KEIR	
CUSTOMER REF.:			
ASSEMBLY DRG:			

Customer Information Sheet

DRAWING No.: M22-532XXXXR

SHEET 4 OF 4

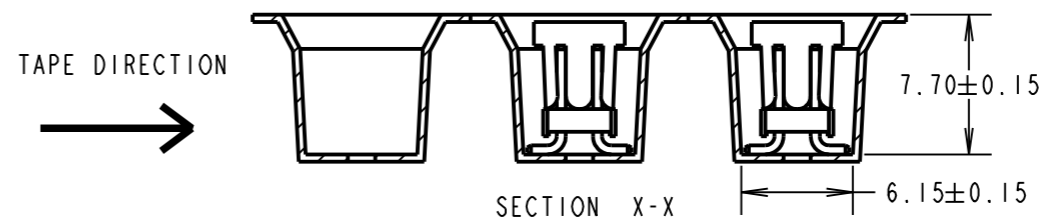
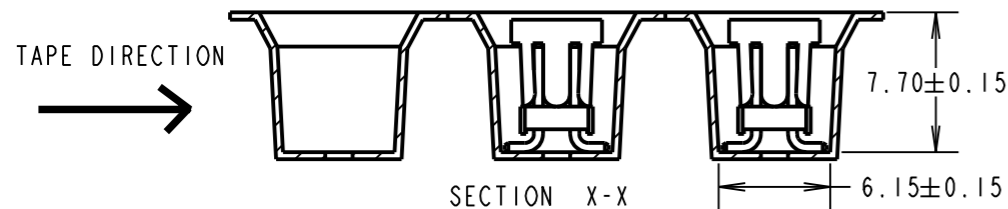
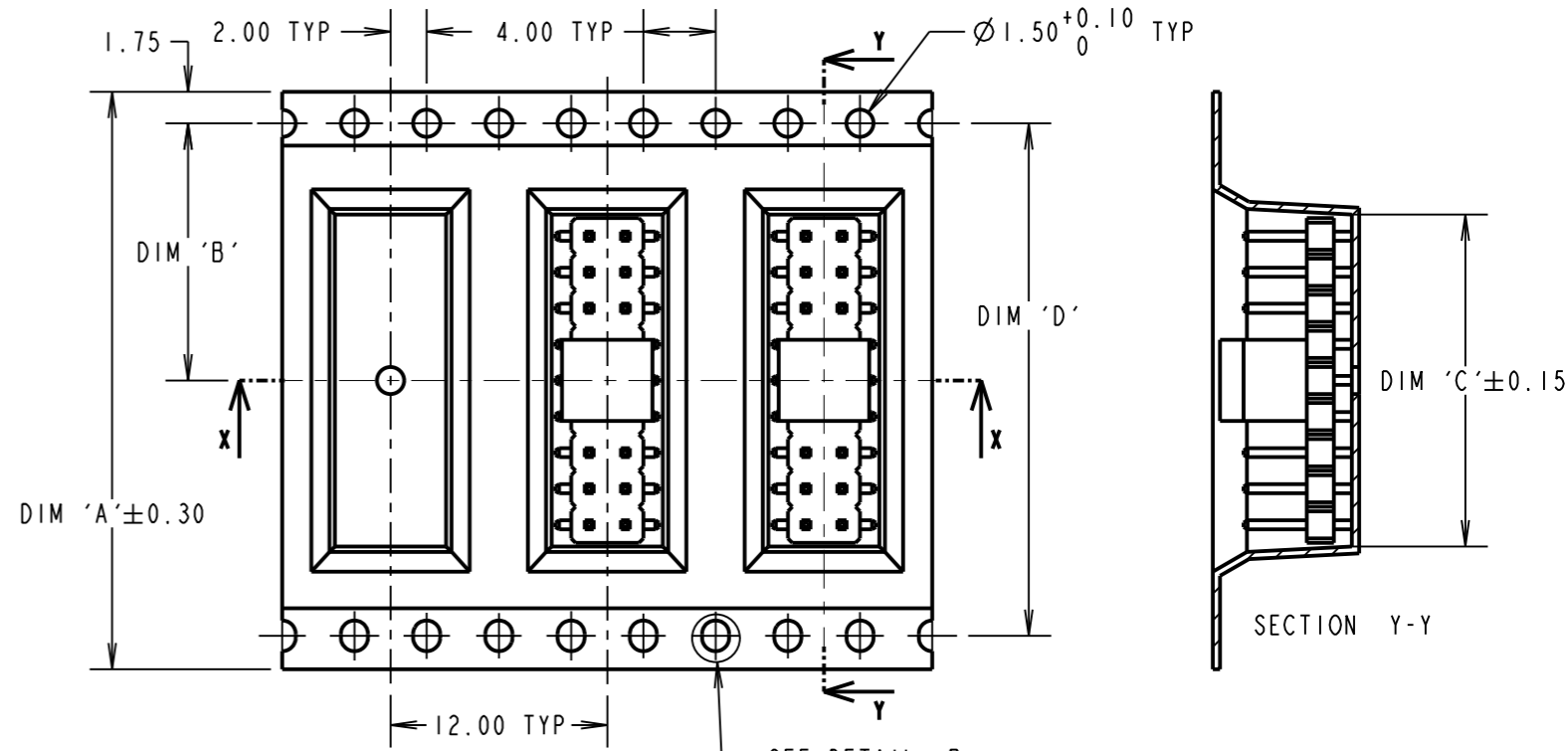
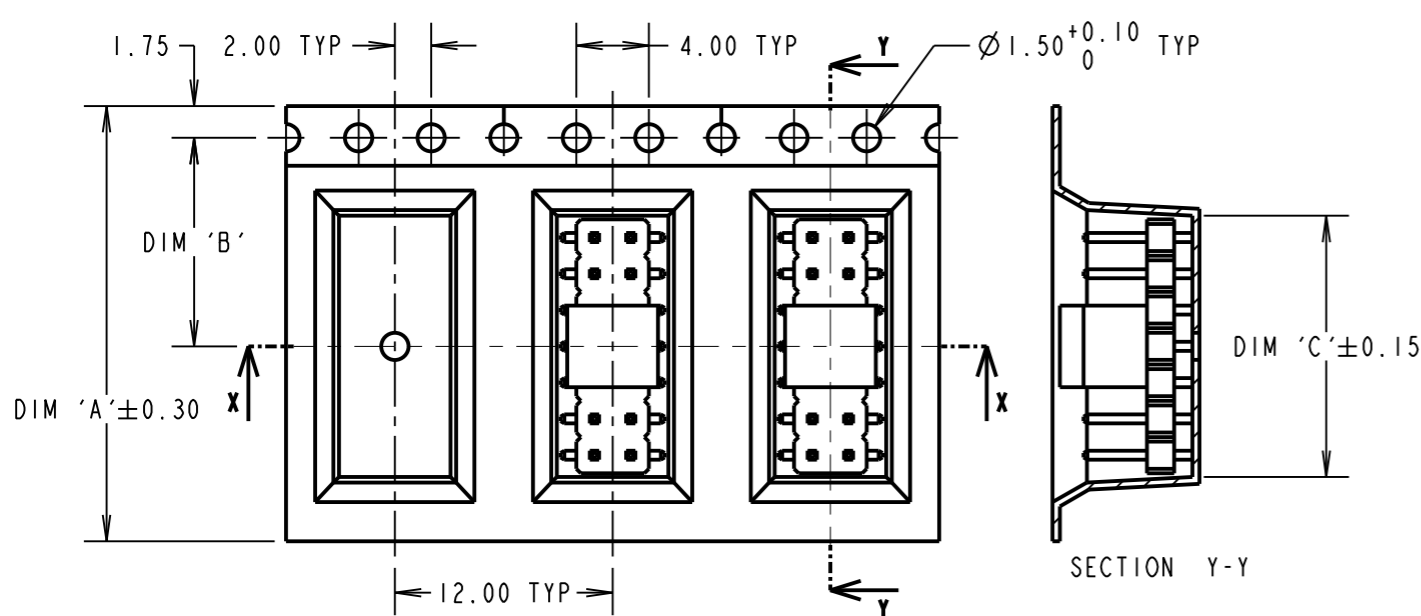
IF IN DOUBT - ASK

©

NOT TO SCALE

THIRD ANGLE PROJECTION

ALL DIMENSIONS IN mm



TAPE DETAILS FOR 2, 3 & 5 WAY

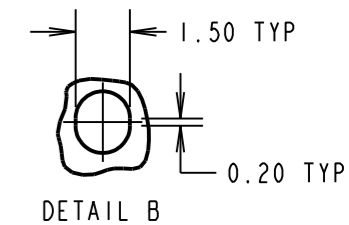
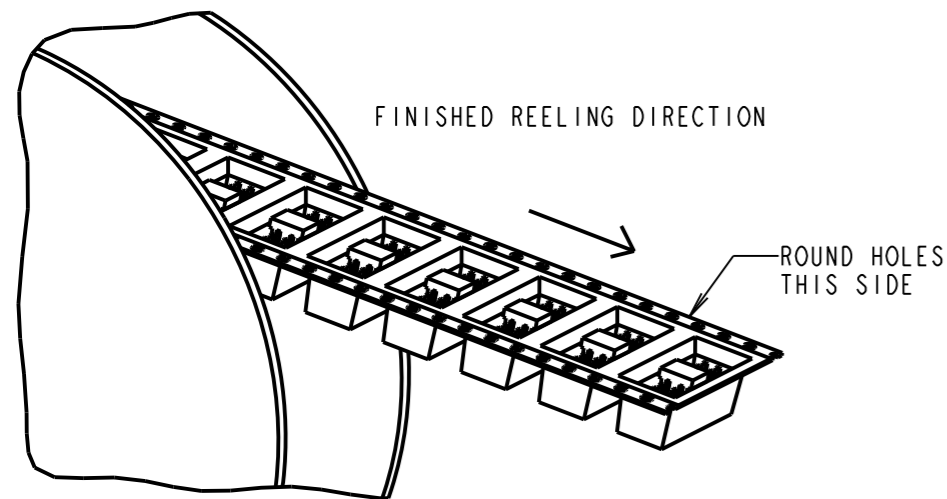
TAPE DETAILS FOR 7 TO 11 WAY

Active products:

- M22-532025R
- M22-53203XXR
- M22-53205XXR
- M22-5320605R
- M22-5320705R
- M22-5322205R
- M22-5322505R

NOTES:

1. QUANTITY PER REEL = 700 PIECES.
2. FOR CONNECTOR DETAILS, SEE SHEET 3.
3. SEE DRAWING M22-532XXXXP FOR PICK & PLACE VERSION & M22-532XXXX FOR STANDARD PRODUCT.



OBSOLETE
All other size/finish combinations not listed above

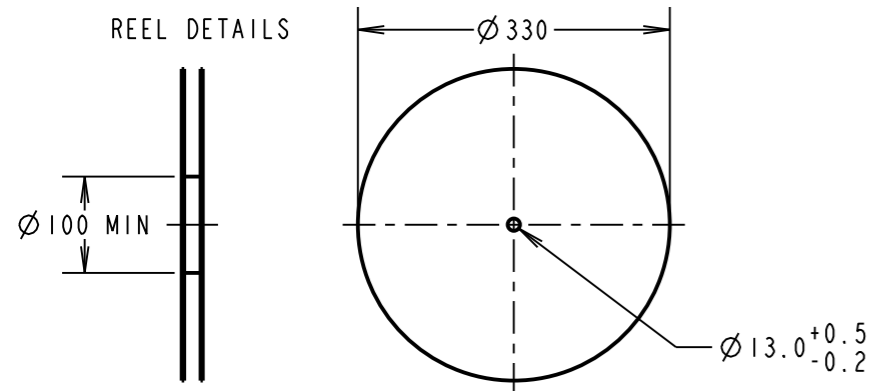
PART No.	DIM 'A'	DIM 'B'	DIM 'C'	DIM 'D'
M22-53202XXR	16.00	7.50	4.20	N/A
M22-53203XXR	16.00	7.50	6.20	N/A
M22-53205XXR	24.00	11.50	10.20	N/A
M22-53207XXR	32.00	14.20	14.40	28.40
M22-53208XXR	32.00	14.20	16.40	28.40
M22-53209XXR	32.00	14.20	18.40	28.40
M22-53210XXR	44.00	20.20	20.40	40.40
M22-53211XXR	44.00	20.20	22.40	40.40

ORDER CODE:
M22-532XXXXR

No. OF CONTACTS PER ROW:
02, 03, 05, 07, 08, 09,
10, 11

FINISH:
05 - GOLD
46 - 100% TIN

SB	12	27.04.15	12763
NAME	ISS.	DATE	C/NOTE
APPROVED:		S.BENNETT	
CHECKED:		M.PLESTED	
DRAWN:		J.KEIR	
CUSTOMER REF.:			
ASSEMBLY DRG:			



HARWIN

www.harwin.com
technical@harwin.com

THIS DRAWING AND ANY INFORMATION OR DESCRIPTIVE MATTER SET OUT HEREON ARE CONFIDENTIAL AND COPYRIGHT PROPERTY OF THE HARWIN GROUP AND MUST NOT BE DISCLOSED, LOANED, COPIED OR USED FOR MANUFACTURING, TENDERING OR FOR ANY OTHER PURPOSE WITHOUT THEIR WRITTEN PERMISSION.

TOLERANCES
X. = ±1mm
X.X = ±0.50mm
X.XX = ±0.10mm
X.XXX = ±0.01mm
ANGLES = 2±5°
UNLESS STATED

MATERIAL: SEE ABOVE
FINISH: SEE ABOVE
S/AREA: mm²

TITLE: 2.00mm PITCH DIL SMT PIN HEADER ASSEMBLY (WITH P/PLACE CAP, T/REEL)

DRAWING NUMBER:
M22-532XXXXR

SHT 4 OF 4

Mouser Electronics

Authorized Distributor

Click to View Pricing, Inventory, Delivery & Lifecycle Information:

Harwin:

[M22-5320805R](#) [M22-5320705R](#) [M22-5322205R](#) [M22-5320905R](#) [M22-5321005R](#) [M22-5320205R](#) [M22-5320405R](#)
[M22-5320305R](#) [M22-5321905R](#) [M22-5321705R](#) [M22-5321805R](#) [M22-5322505R](#) [M22-5322305R](#) [M22-5322405R](#)
[M22-5321105R](#) [M22-5321305R](#) [M22-5321205R](#) [M22-5320605R](#) [M22-5320505R](#) [M22-5322005R](#) [M22-5321505R](#)
[M22-5321605R](#) [M22-5321405R](#) [M22-5322105R](#) [M22-5320246R](#) [M22-5320346R](#) [M22-5320446R](#) [M22-5320546R](#)
[M22-5320746R](#) [M22-5320846R](#) [M22-5320946R](#) [M22-5321046R](#) [M22-5321146R](#) [M22-5321246R](#) [M22-5321346R](#)
[M22-5321446R](#) [M22-5321546R](#) [M22-5321646R](#) [M22-5321746R](#) [M22-5322046R](#) [M22-5322146R](#) [M22-5322246R](#)
[M22-5322346R](#) [M22-5322446R](#) [M22-5322546R](#)