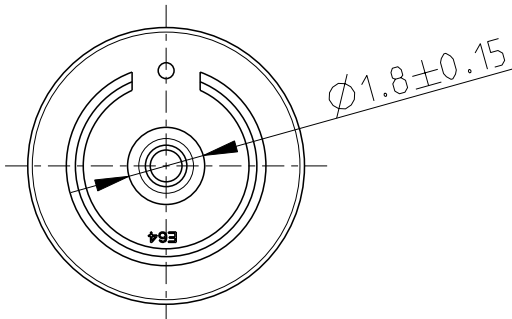
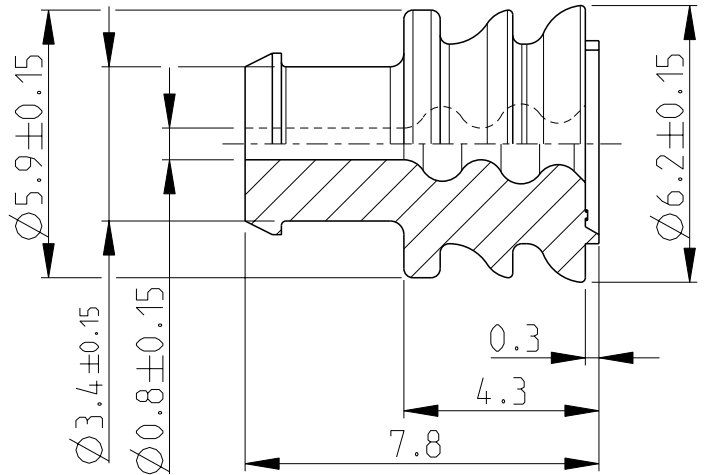
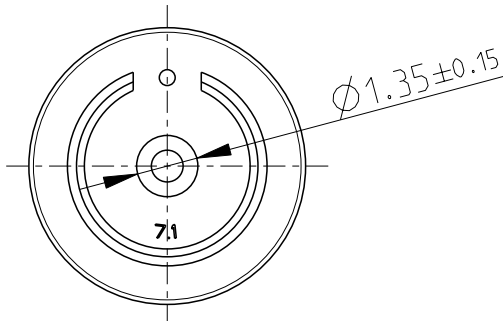


| LOC | DIST | REVISIONS   |                           |           |      |      |
|-----|------|-------------|---------------------------|-----------|------|------|
| P   | LTR  | DESCRIPTION | DATE                      | DWN       | APVD |      |
| A1  | -    | M8          | REVISED PER ECO-11-005150 | 31MAR2011 | RK   | HMR  |
|     |      | M9          | REVISED PER ECO-16-012850 | 31AUG2016 | M.G. | M.G. |

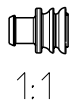


ALTERNATIVE DESIGN ADMITTED:



BEMERKUNGEN  
NOTES

- Einzelheiten der Ausfuehrung bleiben dem hersteller ueberlassen  
DETAILS OF DESIGN ARE LEFT TO MANUFACTURER
- Passend fuer Drahtgroessenbereich: 0.35-1.0mm<sup>2</sup>  
SUITABLE FOR WIRE SIZE RANGE:
- Passend fuer Isolationsdurchmesser: 1.2-2.1mm  
SUITABLE FOR INSULATION DIAMETER:
- Bestueckungshilfe fuer Einzelleiterabdichtung siehe: TE Connectivity: 3-1579007-2  
INSERTER FOR SINGLE WIRE SEAL SEE:
- Keine Luftloecher zulaessig  
NO AIR BUBBLES PERMITTED



| PART NO. | REV. | COLOUR    | MATERIAL                       |
|----------|------|-----------|--------------------------------|
| 828920-2 | M    | DARK BLUE | VMQ-50Shore A SILICON OIL FREE |
| 828920-1 | M    | GREY      | VMQ-50Shore A SELF-LUBRICATED  |

THIS DRAWING IS UNPUBLISHED.  
 ALL RIGHTS RESERVED.  
 © COPYRIGHT -

|  |  |                              |                 |                    |                        |
|--|--|------------------------------|-----------------|--------------------|------------------------|
| DIMENSIONS:<br>mm  |  | DWN<br>Gaupp, P. 17APR1997   | MATERIAL        |                    | FINISH                 |
| TOLERANCES UNLESS OTHERWISE SPECIFIED:<br>DIN 16901-160          |  | CHK<br>Kuempel, D. 21APR1997 | SEE TABLE       |                    | -                      |
| 0 PLC ±<br>1 PLC ±<br>2 PLC ±<br>3 PLC ±<br>4 PLC ±<br>ANGLES ±° |  | APVD<br>-                    | TE Connectivity |                    |                        |
|  |  | PRODUCT SPEC<br>108-18263-1  |                 |                    |                        |
|  |  | APPLICATION SPEC<br>-        | SIZE<br>A 4     | CAGE CODE<br>00779 | DRAWING NO<br>C=828920 |
|  |  | WEIGHT<br>0.106g             | RESTRICTED TO   |                    | -                      |
|  |  | CUSTOMER DRAWING             | SCALE<br>6:1    | SHEET<br>1         | OF 1                   |
|  |  |                              |                 | REV<br>M9          |                        |

# Mouser Electronics

Authorized Distributor

Click to View Pricing, Inventory, Delivery & Lifecycle Information:

[TE Connectivity:](#)

[828920-1](#)