

# Customer Information Sheet

DRAWING No.: M50-355XX42 SHEET 2 OF 2

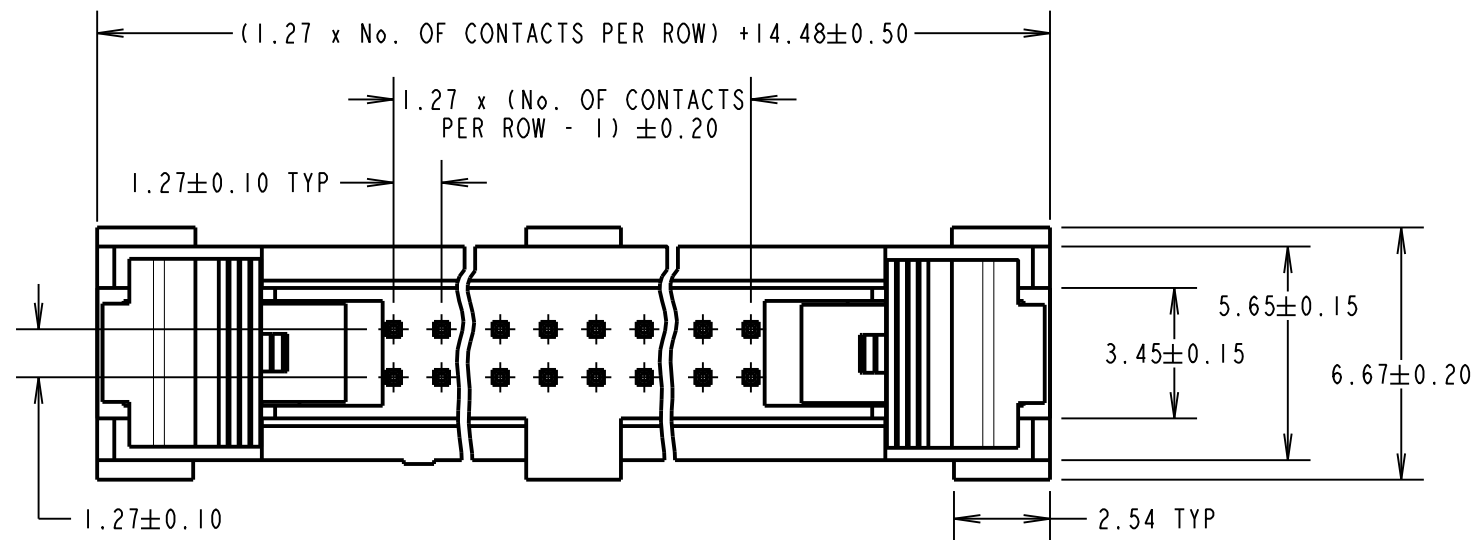
IF IN DOUBT - ASK

©

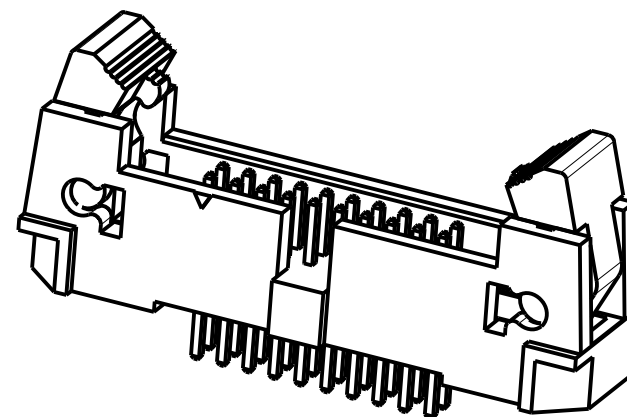
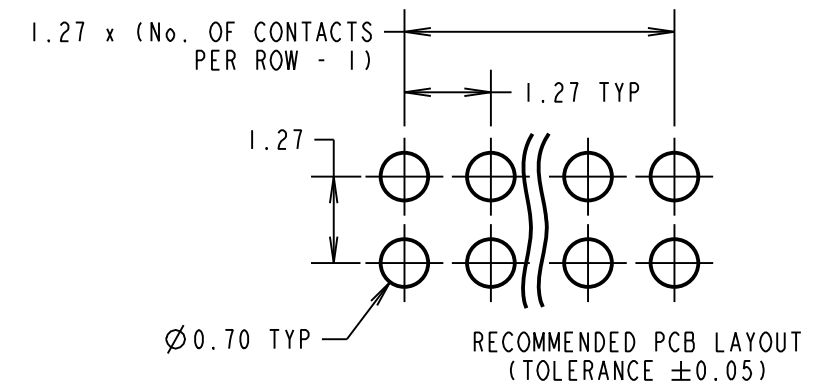
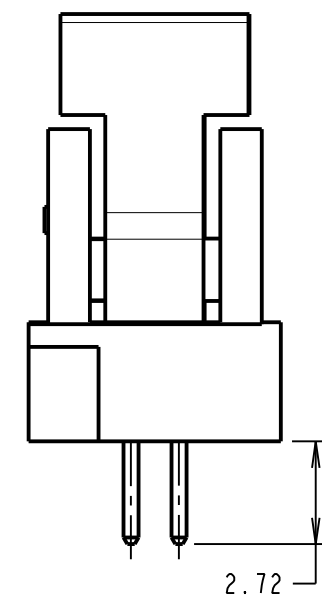
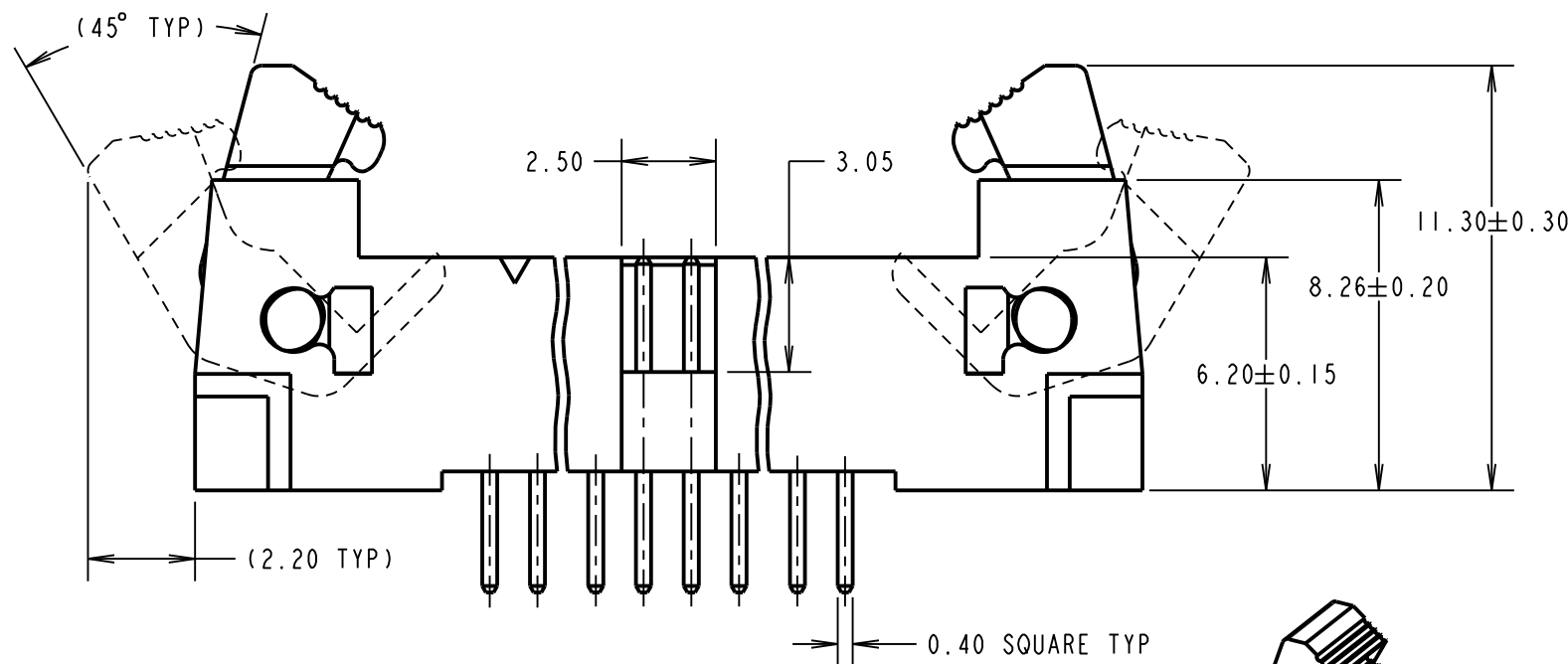
NOT TO SCALE

THIRD ANGLE PROJECTION

ALL DIMENSIONS IN mm



**SPECIFICATIONS:**  
**MATERIALS:**  
 MOULD = LCP, 30% G/F, UL94V-0  
 CONTACT = BRASS  
**FINISH:**  
 42 = 0.015-0.02µ GOLD ON CONTACTS,  
 2.54µ 100% TIN ON TAILS, OVER 0.76-2.03µ NICKEL  
**MECHANICAL:**  
 DURABILITY = 300 CYCLES MIN  
 INSERTION FORCE = 1.0N MAX PER CONTACT  
 WITHDRAWAL FORCE = 0.14N MIN PER CONTACT  
**ELECTRICAL:**  
 RATED CURRENT = 1.75A  
 CONTACT RESISTANCE = 20mΩ MAX  
 WITHSTAND VOLTAGE = 1000V ACrms/DC FOR 1 MINUTE  
 INSULATION RESISTANCE = 5000MΩ MIN  
**ENVIRONMENTAL:**  
 OPERATING TEMPERATURE = -55°C TO +125°C  
**PACKING:**  
 TUBE



- NOTES:**  
 1. FOR COMPLETE SPECIFICATION, SEE COMPONENT SPECIFICATION C029XX (LATEST ISSUE).  
 2. ALL TOLERANCES ARE ±0.25 UNLESS OTHERWISE STATED.  
 3. CONNECTOR IS RoHS AND REACH COMPLIANT.

**ORDER CODE: M50-355XX42**  
 No. OF CONTACTS PER ROW: 05, 06, 07, 08, 10, 13, 17, 20, 25  
 FINISH: SELECTIVE GOLD, TIN

MSP	7	10.08.16	13112
NAME	ISS.	DATE	C/NOTE
APPROVED:		M. PERREN	
CHECKED:		S. BENNETT	
DRAWN:		R. ADDE	
CUSTOMER REF.:			
ASSEMBLY DRG:			

**HARWIN**

www.harwin.com  
 technical@harwin.com

THIS DRAWING AND ANY INFORMATION OR DESCRIPTIVE MATTER SET OUT HEREON ARE CONFIDENTIAL AND COPYRIGHT PROPERTY OF THE HARWIN GROUP AND MUST NOT BE DISCLOSED, LOANED, COPIED OR USED FOR MANUFACTURING, TENDERING OR FOR ANY OTHER PURPOSE WITHOUT THEIR WRITTEN PERMISSION.

**TOLERANCES**  
 X = ±1mm  
 X.X = ±0.50mm  
 X.XX = ±0.10mm  
 X.XXX = ±0.01mm  
 ANGLES = ±5°  
 UNLESS STATED

**MATERIAL:**  
 SEE ABOVE  
**FINISH:** SEE ABOVE  
**S/AREA:** mm<sup>2</sup>

**TITLE:**  
 1.27mm DIL PC TAIL  
 EJECTOR HEADER

**DRAWING NUMBER:**  
 M50-355XX42

SHT  
 2 OF  
 2

# Mouser Electronics

Authorized Distributor

Click to View Pricing, Inventory, Delivery & Lifecycle Information:

[Harwin:](#)

[M50-3552542](#) [M50-3551342](#) [M50-3551742](#) [M50-3552042](#) [M50-3550542](#) [M50-3551042](#) [M50-3550842](#) [M50-3550642](#) [M50-3550742](#)