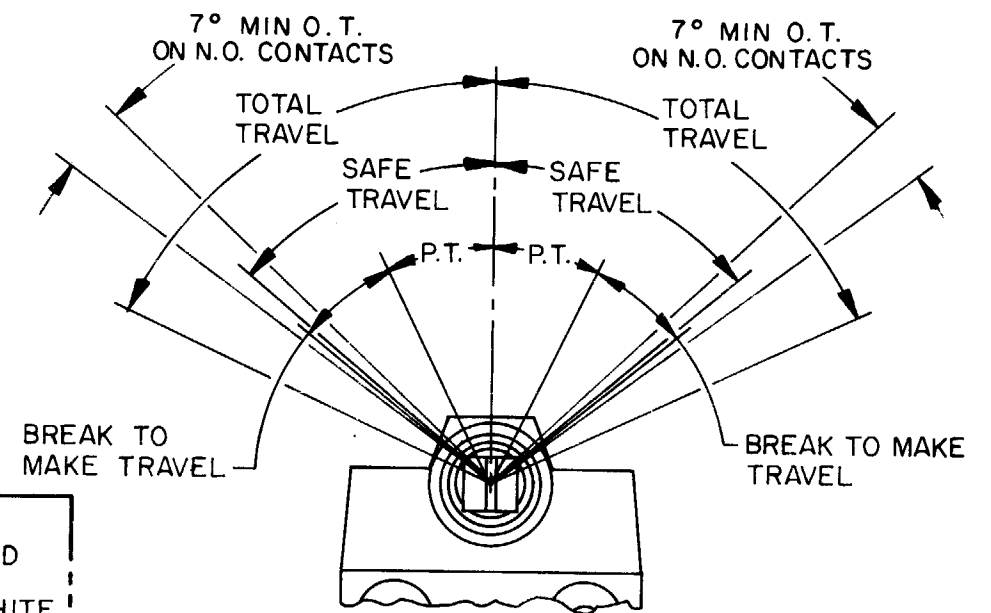
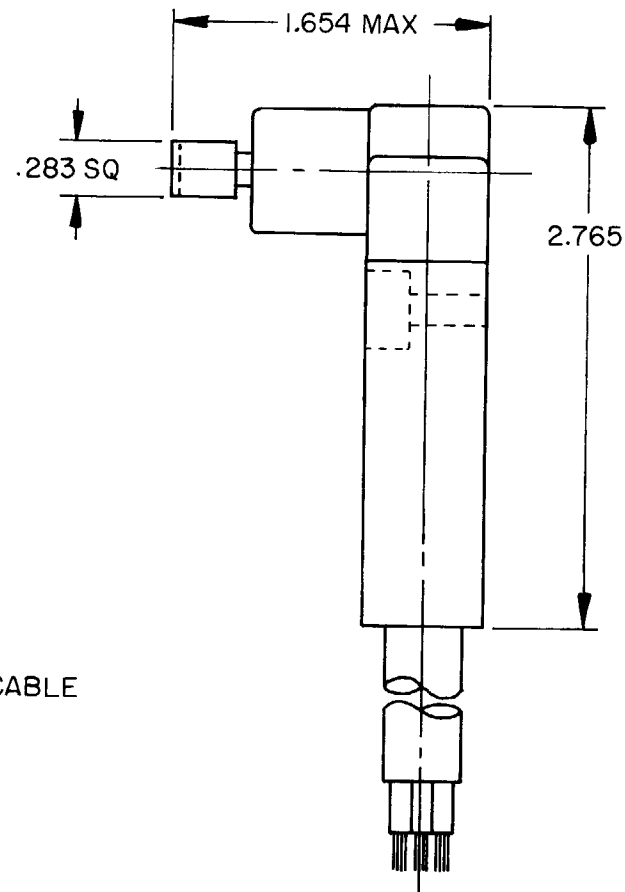
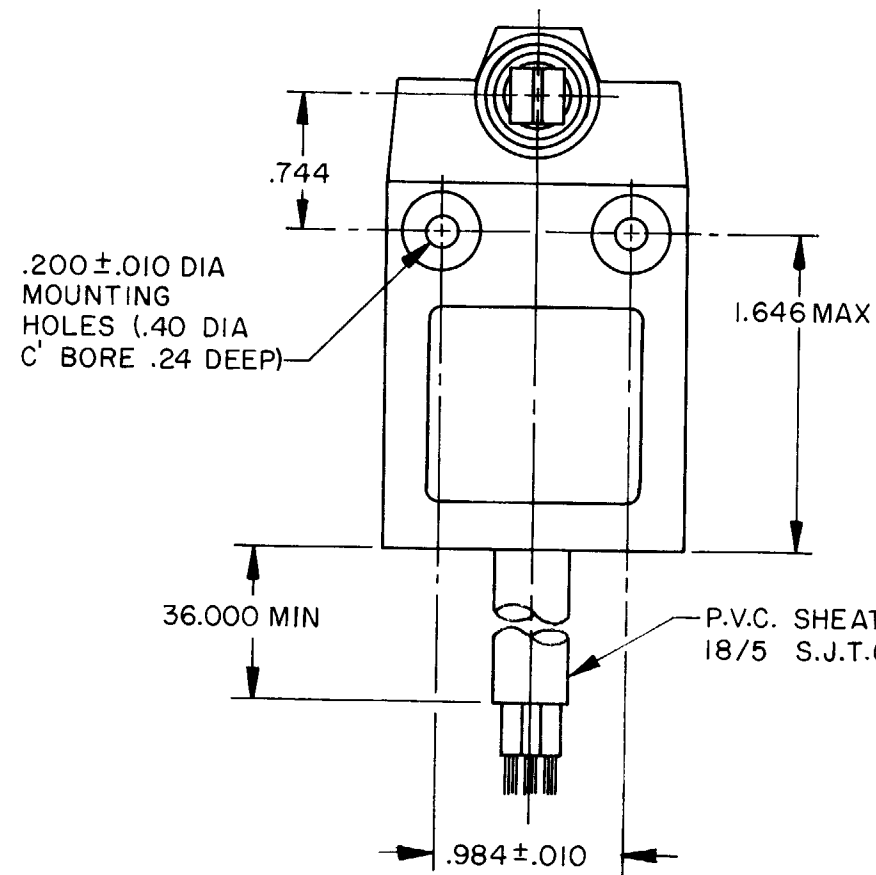
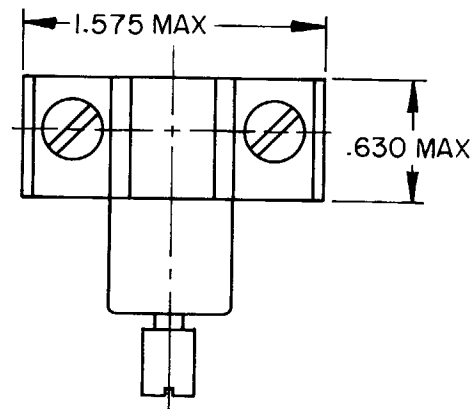


MICRO SWITCH
 FREEPORT, ILLINOIS, U.S.A.
 A DIVISION OF HONEYWELL
 FED. MFG. CODE 91929

**SMALL PRECISION
 LIMIT SWITCH**

CATALOG LISTING
924CE16-S3

- NOTES**
 1 - ZINC HOUSING FINISHED WITH GRAY PAINT
 2 - SWITCH WILL ACTUATE IN BOTH DIRECTIONS
 3 - SWITCH PROVIDES BREAK BEFORE MAKE CIRCUITRY



924CE16-S3

M

DRAWING NUMBER

2

ISSUE

REVISIONS

A C069061
 L J F
 15 AUG 91

CHECK

CHECK

CHECK

CHECK

CHECK

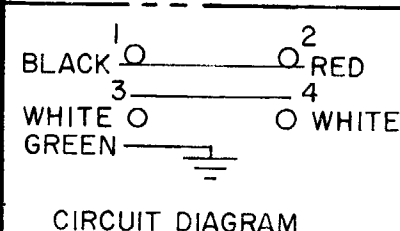
CHECK

THIS DRAWING COVERS A PROPRIETARY ITEM AND IS THE PROPERTY OF MICRO SWITCH, A DIVISION OF HONEYWELL. THIS DRAWING IS NOT TO BE COPIED OR USED WITHOUT THE APPROVAL OF MICRO SWITCH.

CHARACTERISTICS	
OPERATING FORCE	2.62 IN. LB MAX
BREAK TO MAKE TRAVEL	25° ± 7°
PRETRAVEL	26° MAX
TOTAL TRAVEL	65° MIN
SAFE TRAVEL	50° MIN

ELECTRICAL DATA	
CONTACT ARRANGEMENT S P D T D B	
10A - 250 VAC 1/3 HP 125 OR 250 VAC	

SCALE FULL			
DO NOT SCALE PRINT			
TOLERANCES			
APPLY TO DESIGN UNITS. CONVERSIONS ARE ONLY FOR REFERENCE. UNLESS NOTED, TOLERANCES ARE:			
DIM.	TOL.	DIM.	TOL.
mm	mm/in	in	mm/in
NO PLACES	X	1/04	
ONE PLACE	X X	0.075/0.125	X X
TWO PLACES	X X X	0.125/0.250	X X X
THREE PLACES	X X X X	0.250/0.500	X X X X
ANGLES			
DESIGN UNITS		US CUSTOMARY	
<input type="checkbox"/> METRIC		<input checked="" type="checkbox"/> US CUSTOMARY	
THIRD ANGLE PROJECTION			
WEIGHT			



FO-5285 1-B

T S K 24 OCT 86

Mouser Electronics

Authorized Distributor

Click to View Pricing, Inventory, Delivery & Lifecycle Information:

[Honeywell:](#)

[924CE16-S3](#)