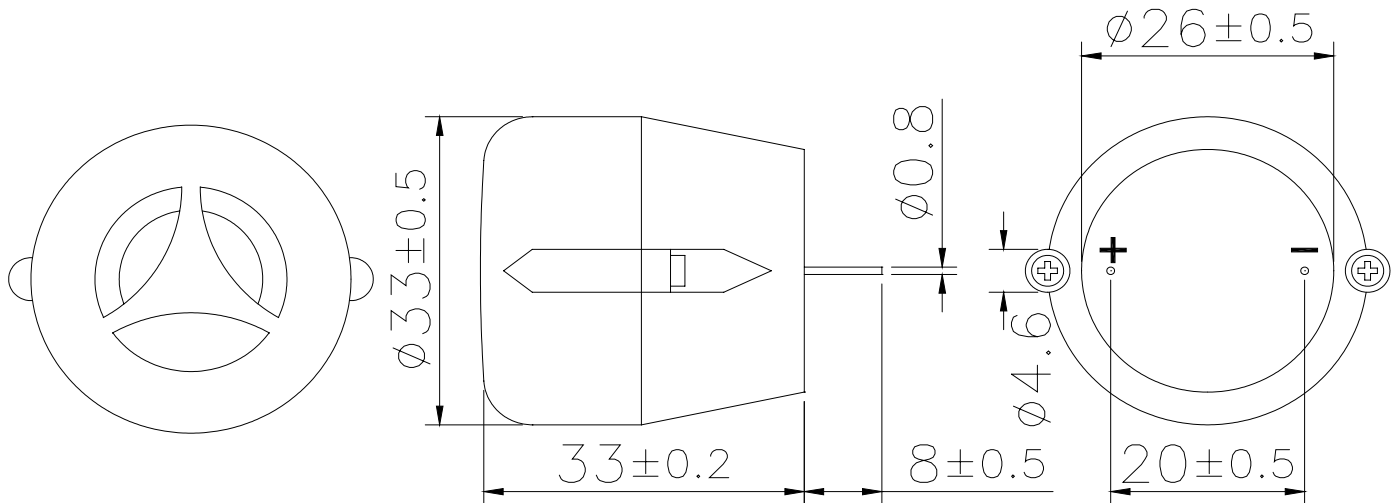


**Sales Outline Drawing**Revision **A****Specifications:**

Resonant Frequency (Hz)	1500 - 3500
Operating Voltage (Vdc)	5 ~ 15
Rated Voltage (Vdc)	12
Current Consumption (mA/max)	150 at Rated Voltage
Sound Pressure Level (dB/min)	105 at 100cm at Rated voltage
Tone/Pulse Rate (Hz0)	Sweep 3.3 ±20%
Operating Temperature (°C)	-20 ~ +60
Storage Temperature (°C)	-30 ~ +80
Housing	ABS 777D UL94HB plastic resin (Color: Black)
Lead Wire	20 AWG
Weight (Grams)	27.8
Condition by wave soldering (°C)	245 ±5 / 3±0.5 sec
Condition by hand soldering (°C)	350 ±20 / within 5 sec
Options	For other options contact factory

**RoHS Compliant****Dimensions:** (units: mm)

# Mouser Electronics

Authorized Distributor

Click to View Pricing, Inventory, Delivery & Lifecycle Information:

[Mallory Sonalert:](#)

[PS-953Q](#)