

PRODUCT NUMBER

71922-YXXZLF

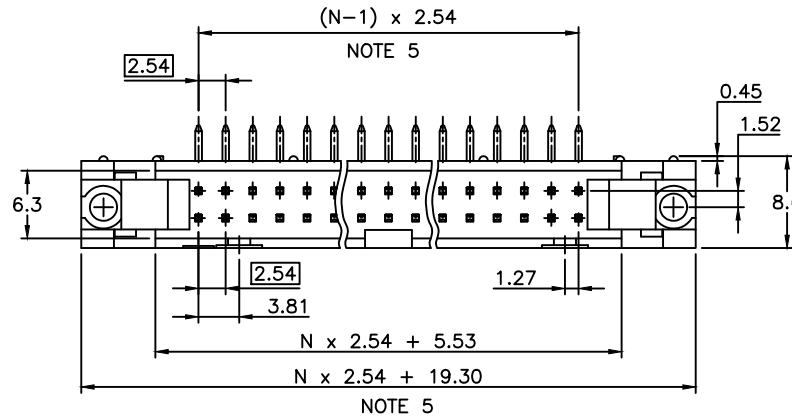
RoHS COMPATIBLE, SEE NOTE 10

- = STANDARD HOUSING COLOR GREY (WITHOUT OPTIONAL LETTER)
- B= OPTIONAL HOUSING COLOR BLACK
- S= SPECIFIC CUSTOMER PLATING OPTION HOUSING COLOR GREY
- P= DEDICATED CUSTOMER PART COLOR GREY

TOTAL NB OF POSITIONS, SEE SHEET 2

LATCHING

- 0= WITHOUT LATCH
- 1= STANDARD LATCH
- 2= LOW PROFILE LATCH



NOTES:

- 1 - HOUSING MAT'L : GLASS FILLED THERMOPLASTIC. UL94V-0
- 2 - PIN MATERIAL : PHOSPHOR BRONZE
- 3 - PRODUCT PACKAGED IN TUBES
- 4 - 40N MIN LATCH RETENTION FORCE AT FIRST EXTRACTION
- 5 - TO DETERMINE DIMENSIONS :
N = NUMBER OF POSITIONS PER ROW
EXAMPLE : 8 POS N x 2.54 = 20.32mm
- 6 - NO CENTRAL SLOT ON POSITIONS 6 & 8
- 7 - NO LEFT POLARIZATION ON POSITIONS 06, 08, 10, 14.
- 8 - NO GROOVE ON POSITIONS 06, 08, 10, 14, 30, 34
- 9 - 4.5mm SOLDER TAIL
ORDER 71922-4XX (WITH STANDARD LATCH ONLY)
ORDER 71922-5XX (WITH LOW PROFILE LATCH ONLY)
- 10 - RoHS COMPATIBLE PRODUCT SPECIFICATIONS

a - PLATING:

- "LF" MEANS THE PRODUCT IS LEAD-FREE, 2µm MINIMUM MATTE TIN OVER 1.27µm MINIMUM NICKEL UNDERPLATE.

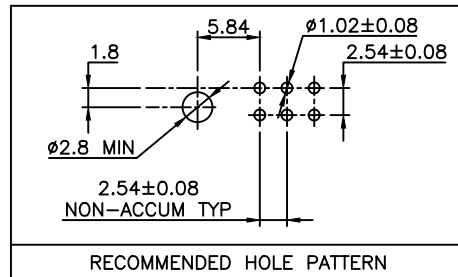
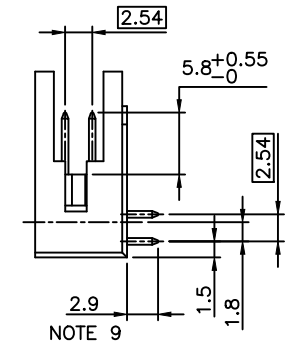
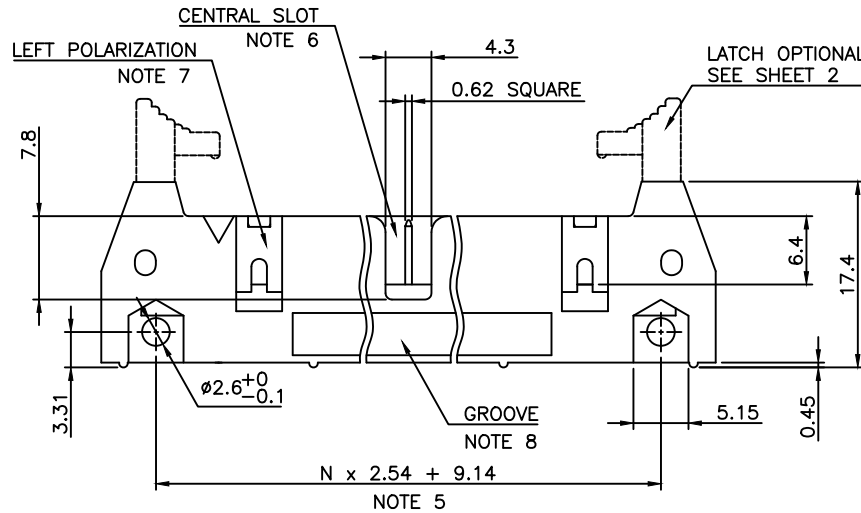
b - MANUFACTURING PROCESS COMPATIBILITY

- THE HOUSING WILL WITHSTAND EXPOSURE TO 260°C ±5°C SOLDER BATH TEMPERATURE FOR 5 SECONDS IN A WAVE SOLDER APPLICATION WITH A 1.6mm MIN THICK CIRCUIT BOARD.

c - LABELING:

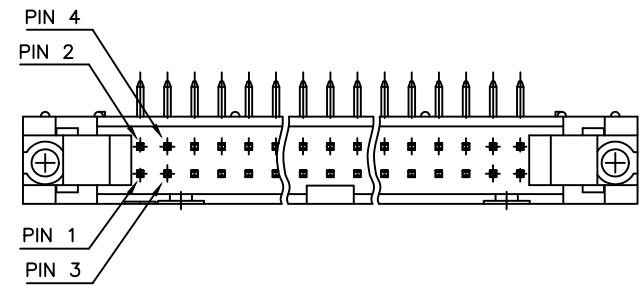
- MEETS PACKAGING SPECS AS PER GS-14-920

d - LEGAL STATEMENT: SEE GS-47-0004.

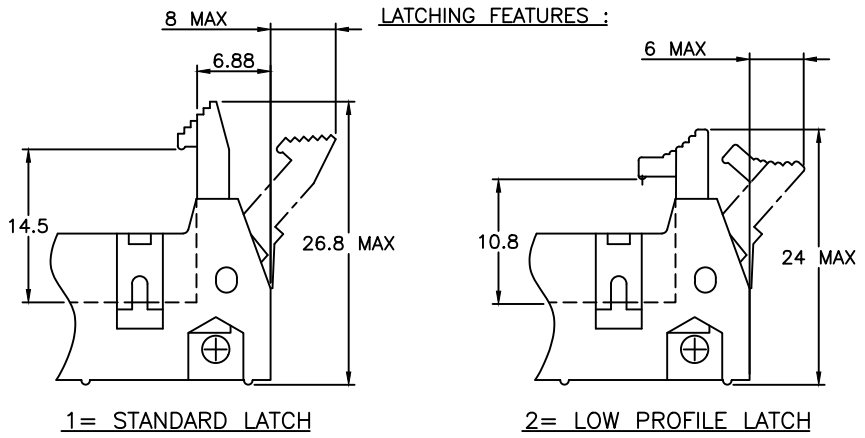


mat'l. code		surface		tolerance		projection		product family	
SEE NOTES		ISO 1302 ✓		ISO 406 ISO 1101		mm		QUICKIE	
ltr	ecn no	dr	date	tolerances unless otherwise specified		mm		title	
V	F10-0054	LMU	10.05.19	angles	linear	.XX ±0.3		SHR.EL.HEADER	
W	B-16776	LMU	14.01.23			.XX ±0.13		RA DR TMT	
X	B-18018	JCO	14.06.19			.XXX ±0.05		scale 2:1	
Y	B-18236	LMU	14.07.08	dr	D.LE	01.01.24		dwg no	
AA	B-19092	LMU	14.10.16	enfr	JM.C	01.01.24		sheet 1 of 2	
AB	B-20349	BVE	15.03.02	chr	JF.N	01.01.24		size	
AC	F-49503	LMU	23.10.17	appd	JM.C	01.01.24		71922	
sheet	revision	AC	U					type	
index	sheet	1	2					CUSTOMER Drawing	

PRODUCT NUMBER	SIZE	LATCHING AVAILABILITY	MISSING PIN POSITIONS
71922-X06(Z)LF	2x3	0/1/2	
71922-X08(Z)LF	2x4	0/1/2	
71922-X10(Z)LF	2x5	0/1/2	
71922-X14(Z)LF	2x7	0/1/2	
71922-X16(Z)LF	2x8	0/1/2	
71922-X18(Z)LF	2x9	0/1/2	
71922-X20(Z)LF	2x10	0/1/2	
71922-X26(Z)LF	2x13	0/1/2	
71922-X28(Z)LF	2x13	0/1/2	PIN 5 TO 12
71922-X30(Z)LF	2x15	0/1/2	
71922-X34(Z)LF	2x17	0/1/2	
71922-X35(Z)LF	2x17	0/1/2	PIN 2 & 3
71922-X39(Z)LF	2x20	0/1/2	PIN 20
71922-X40(Z)LF	2x20	0/1/2	
71922-X44(Z)LF	2x22	0/1/2	
71922-X50(Z)LF	2x25	0/1/2	
71922-X60(Z)LF	2x30	0/1/2	
71922-X64(Z)LF	2x32	0/1/2	



PLATING :
 - 0.76µm GOLD/GXT
 (PdNi WITH GOLD FLASH) ON CONTACT AREA
 2µm MIN MATTE TIN ON TAIL
 UNDERPLATE : 1.27µm Ni MIN



mat'l. code		surface ISO 1302 ✓		tolerance ISO 406 ISO 1101		projection mm		product family QUICKIE	
ltr	ecn no	dr	date	tolerances unless otherwise specified		mm		title SHR.EL.HEADER RA DR TMT	
M	F06-0229	LMU	06.07.17	angles linear		scale 2:1		dwg no 71922	
N	F07-0195	LMU	07.05.25					sheet 2 of - size A3	
P	F08-0146	YOV	08.04.11					type CUSTOMER Drawing	
R	B-16776	LMU	14.01.23	dr	D.LE	01.01.24			
S	B-19092	LMU	14.10.16	enfr	JM.C	01.01.24			
T	B-20349	BVE	15.03.02	chr	JF.N	01.01.24			
U	F-49503	LMU	23.10.17	appd	JM.C	01.01.24			
sheet index	revision sheet								



Copyright FCI