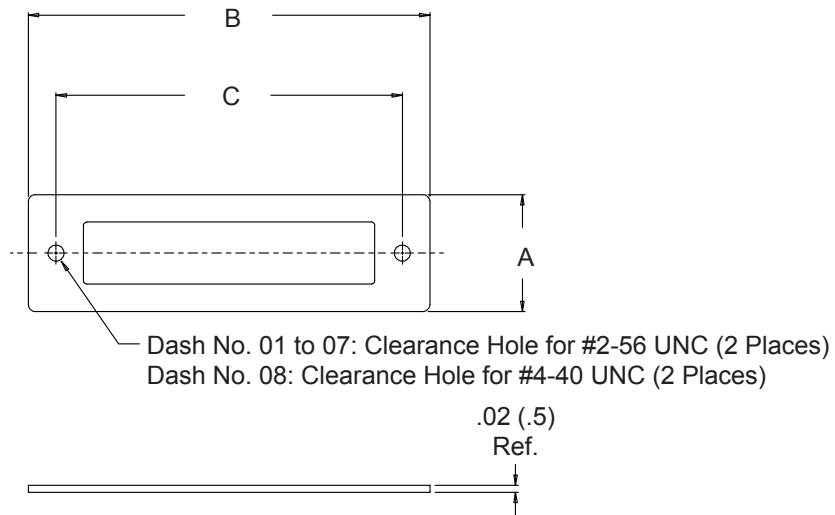




**559-005**  
**EMI/RFI Gasket For Micro-D Backshells**



HOW TO ORDER				
Shell Size	Part Number	A	B	C
9	559-005-01	.46 (11.7)	.90 (22.9)	.565 (14.4)
15	559-005-02	.46 (11.7)	1.05 (26.7)	.715 (18.2)
21	559-005-03	.46 (11.7)	1.20 (30.5)	.865 (22.0)
25	559-005-04	.46 (11.7)	1.30 (33.0)	.965 (24.5)
31	559-005-05	.46 (11.7)	1.48 (37.6)	1.115 (28.3)
37	559-005-06	.46 (11.7)	1.60 (40.6)	1.265 (32.1)
51	559-005-07	.50 (12.7)	1.55 (39.4)	1.215 (30.9)
100	559-005-08	.55 (14.0)	2.29 (58.2)	1.800 (45.7)

MATERIAL: Metalastic

Metric dimensions (mm) are indicated in parentheses.

# Mouser Electronics

Authorized Distributor

Click to View Pricing, Inventory, Delivery & Lifecycle Information:

[Glenair:](#)

[559-005-01](#)