

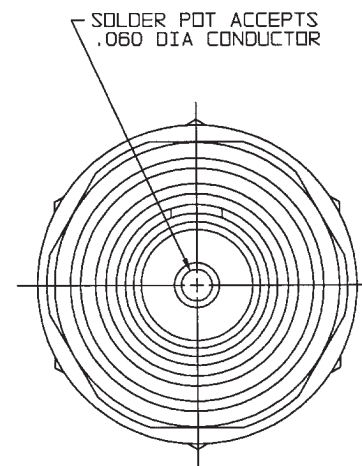
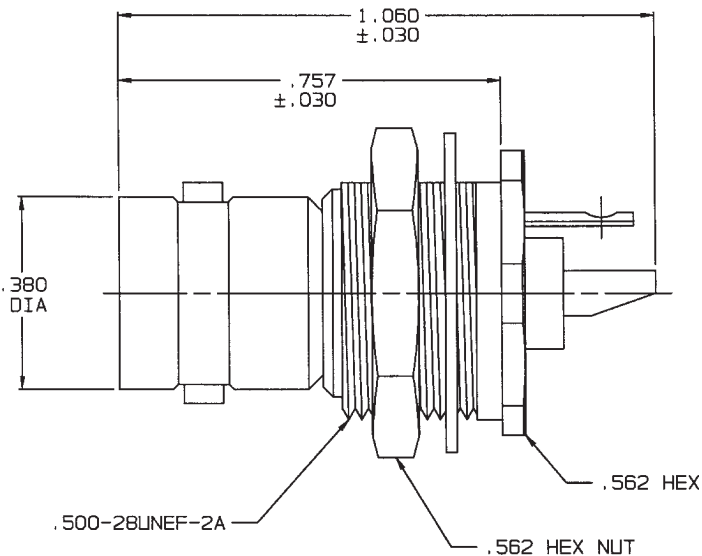
RED INDICATES ORIGINAL

DATA CONTAINED IN THIS DOCUMENT IS PROPRIETARY TO TROMPETER ELECTRONICS INC. AND SHALL NOT BE DISCLOSED, COPIED OR USED FOR PROCUREMENT OR MANUFACTURE WITHOUT EXPRESS WRITTEN PERMISSION.

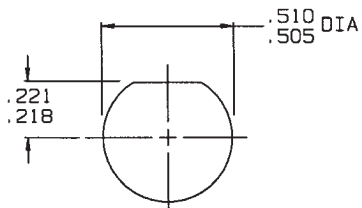
REVISIONS			1-0010	SH 1C	
REV	ED	DESCRIPTION	DWN	APPROVED	DATE
D	13257	SH 2; ±.030 TOLERANCE REPLACES ±.003 ON .757 DIMENSION; SEE ECO	DKC	<i>[Signature]</i>	2/18/00

DASH NO	MODEL NO	IMPD OHMS
-1	BJ21	50
-2	UBJ21	75

INCH	MM
.005	0.13
.030	0.76
.060	1.52
.147	3.73
.218	5.54
.221	5.61
.380	9.65
.505	12.83
.510	12.95
.562	14.27
.757	19.23
1.060	26.92



-1 SHOWN



RECOMMENDED
PANEL CUTOUT
SCALE: 2/1

4. 50 & 75 OHM COAXIAL REAR MOUNT INSULATED 2-LLUG BNC TYPE SOLDER POT BULKHEAD RECEPTACLE
3. MAX PANEL THK: .147
2. FINISH: TFS-1A (NICKEL)
1. ALL DIM ARE IN INCHES

QTY	DESCRIPTION		PART NUMBER	ITEM
TOL UNLESS SPECIFIED .XX ± .XXX ± .005 .XXXX ± ANGLES ±			BJ21 / UBJ21	
DWN DKC 2-3-00			MATERIAL	CODE IDENT
CHK <i>[Signature]</i> 2/18/00		14949	1-0010	D
ENGR <i>[Signature]</i>	SCALE 4/1	DATE 5-12-82	SHEET	1C
APPR <i>[Signature]</i> 2/18/00	NEXT ASSY			

Mouser Electronics

Authorized Distributor

Click to View Pricing, Inventory, Delivery & Lifecycle Information:

[Cinch Connectivity Solutions:](#)

[UBJ21](#)