

4

3

2

1

THIS DRAWING IS UNPUBLISHED. RELEASED FOR PUBLICATION ,1995  
 © COPYRIGHT 1995 ALL RIGHTS RESERVED.

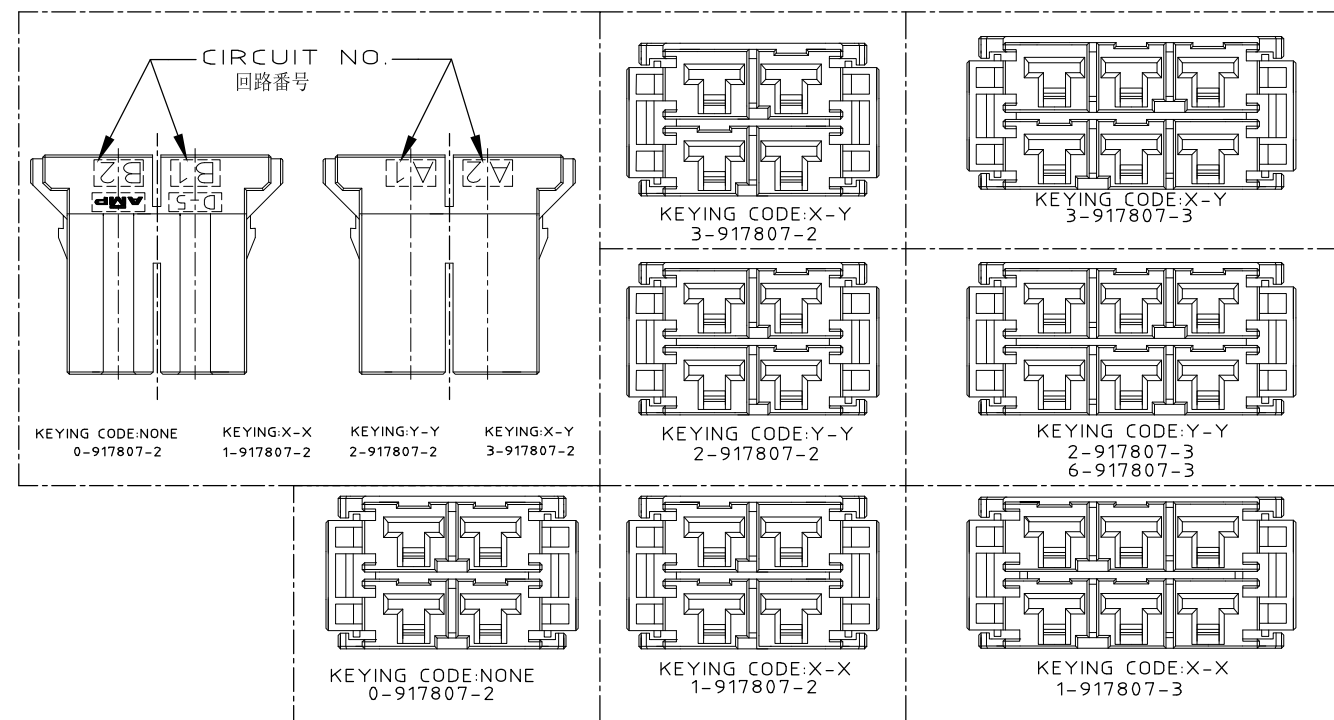
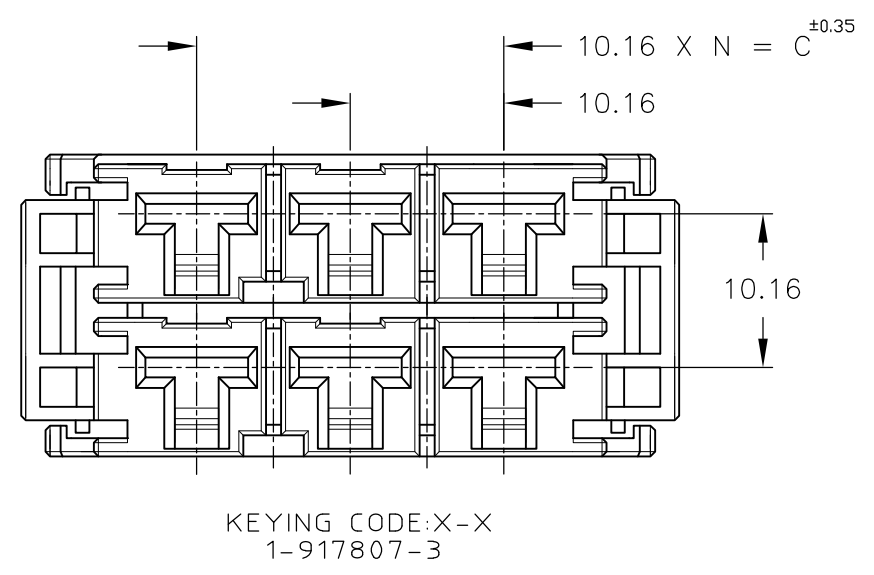
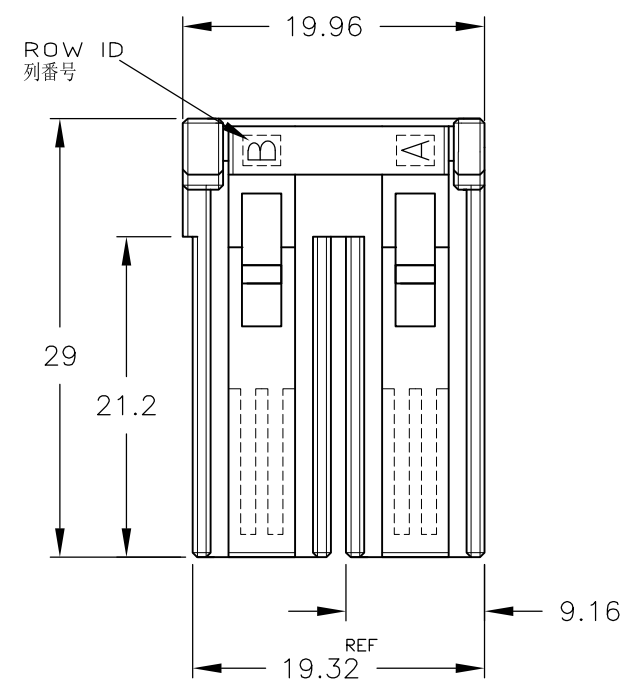
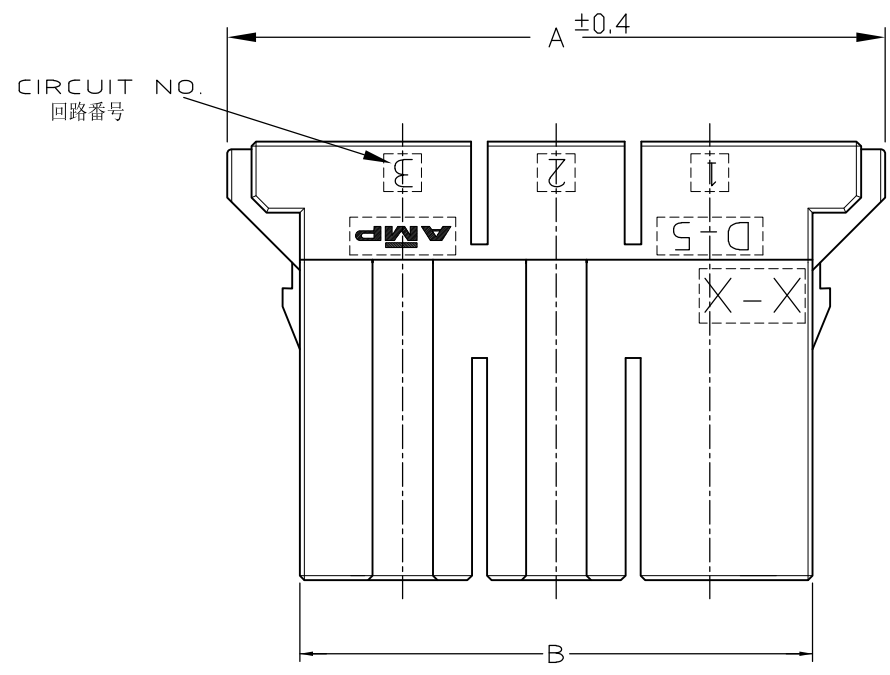
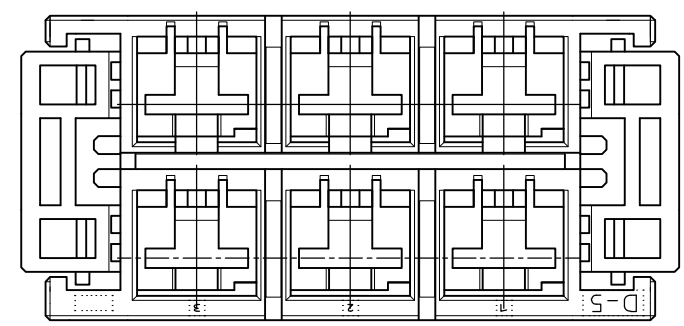
LOC	DIST	REVISIONS					
		P	LTR	DESCRIPTION	DATE	DWN	APVD
J		D		REVISED PER ECR-16-008312	08JUN16	K.K	E.T

注記

- ① 材料 ハウジングガラス入り熱可塑性  
ポリエステル樹脂(94V-0),色黒
- ② ~~ハウジング全面にテフロン塗装のこと~~

NOTES

- ① MATERIAL:HOUSING:GLASS FILED THERMO PLASTIC  
POLYESTER(94V-0),COLOR:BLACK
- ② ~~TO COAT ALL SURFACE OF HOUSING WITH TEFLON~~



OBSOLETE		YELLOW	20.32	33.92	43.52	2	6	6-917807-3	
		BLACK							5-917807-3
		BLACK							3-917807-3
OBSOLETE		BLACK						2-917807-3	
		BLACK	20.32	33.92	43.52	2	6	1-917807-3	
		BLACK							6-917807-2
OBSOLETE								5-917807-2	
		BLACK						3-917807-2	
		BLACK						2-917807-2	
		BLACK						1-917807-2	
		BLACK	10.16	23.76	33.36	1	4	0-917807-2	
FINISH		COLOR	C	B	A	N	POS	P/N	

WIRE RANGE 抱合電線断面積 INSULATION DIA 被覆外径

DIMENSIONS: 単位 耗 mm	TOLERANCES UNLESS OTHERWISE SPECIFIED 一般公差 10: ±0.2 30: >10 : ±0.25 100: >30 : ±0.3 ANGLE : ±0.3°	DWN K.IKEDA 31/OCT/95	NAME 2列リセハウジング
		CHK Y.ISHIKAWA 31/OCT/95	
	MATERIAL 材料	APVD S.MANABE 1/NOV/95	DOUBLE ROW REC HSG
		PRODUCT SPEC 製品規格 108-5453	<DYNAMIC D-5200 M>
	FINISH 仕上	APPLICATION SPEC 取付適用規格 114-5206	SIZE A3
		WEIGHT T1	CAGE CODE 00779
CUSTOMER DRAWING		DRAWING NO 番号 917807	SCALE 尺度 2-1
		SHEET 1 OF 1	REV D

# Mouser Electronics

Authorized Distributor

Click to View Pricing, Inventory, Delivery & Lifecycle Information:

[TE Connectivity:](#)

[1-917807-3](#)