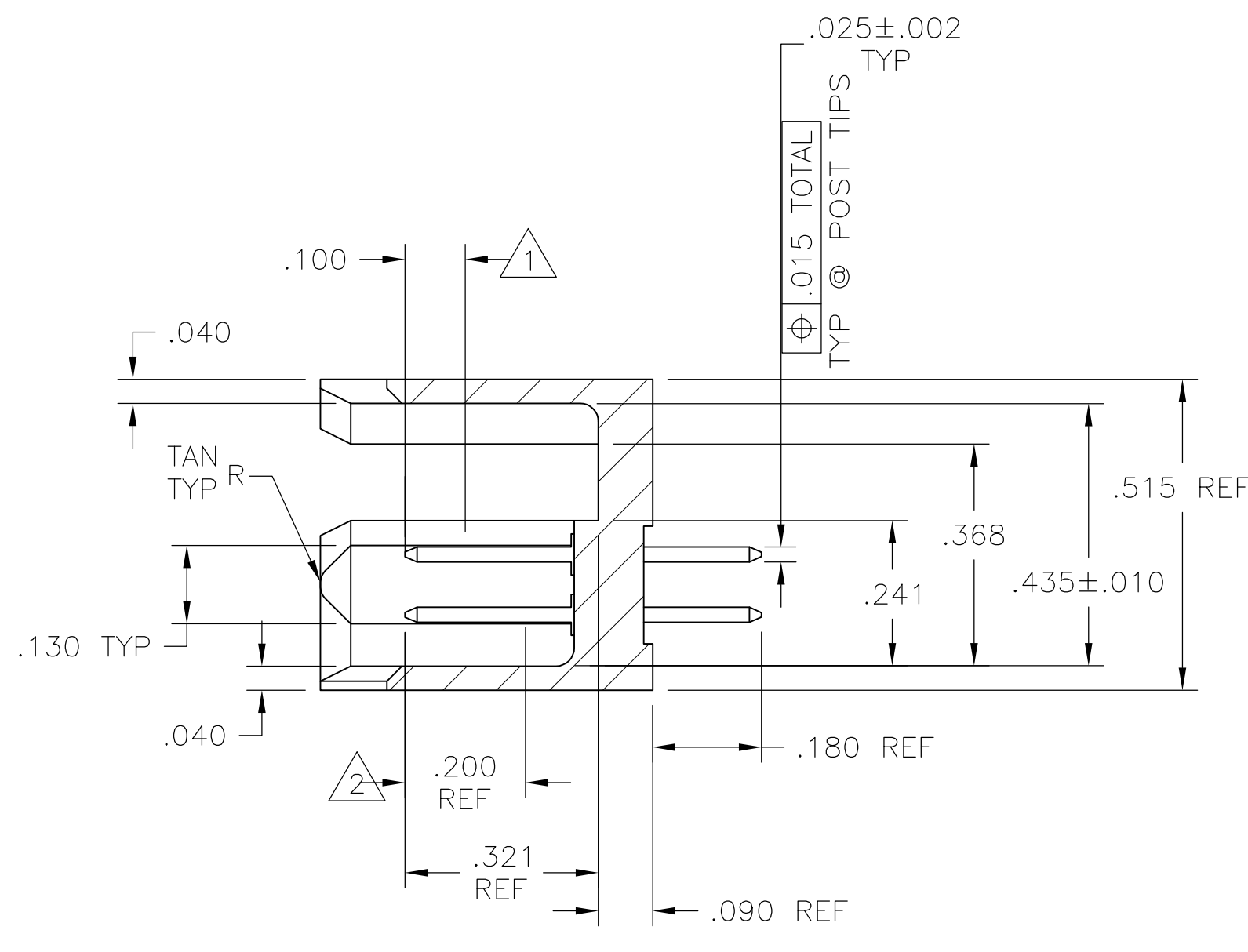
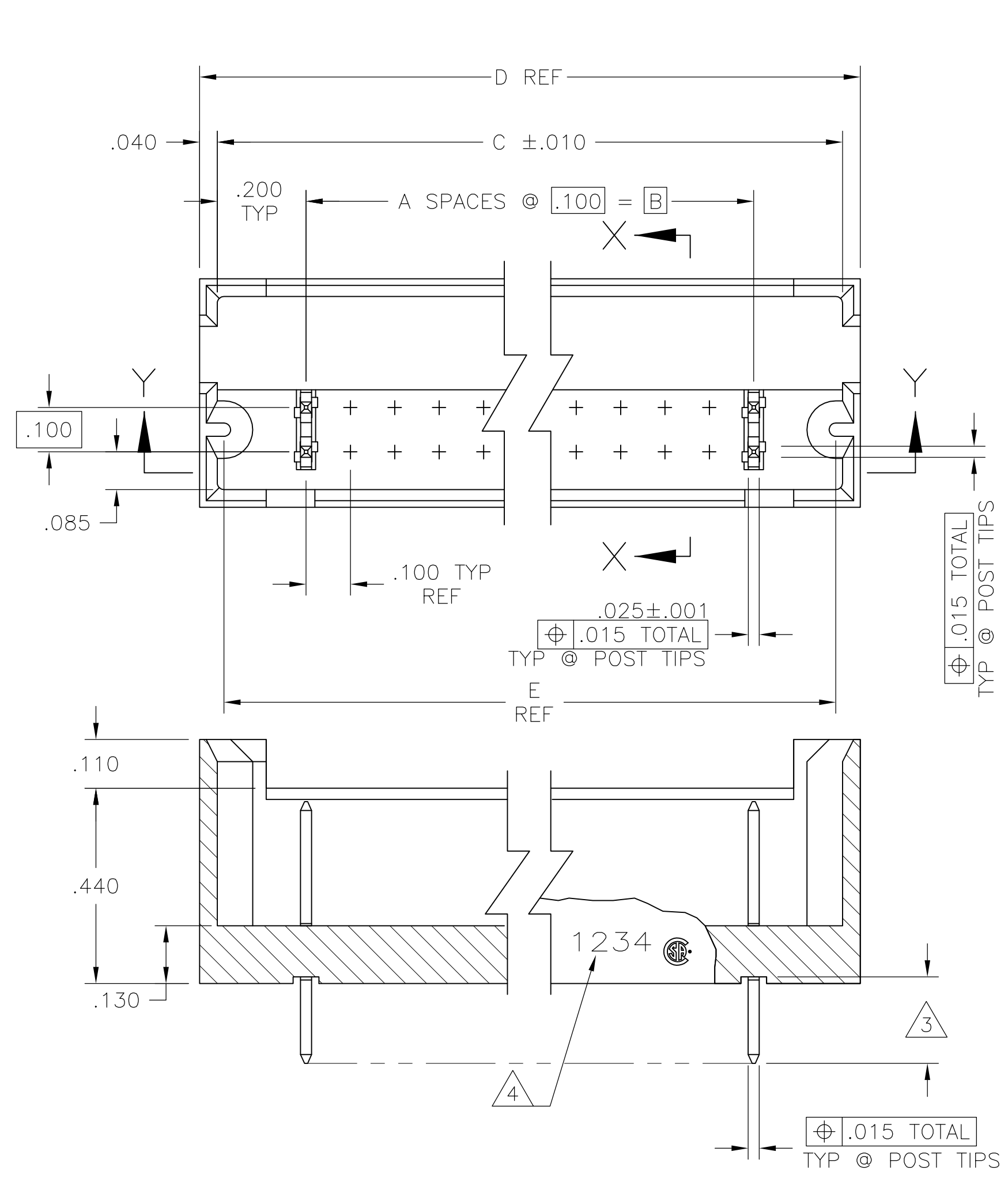
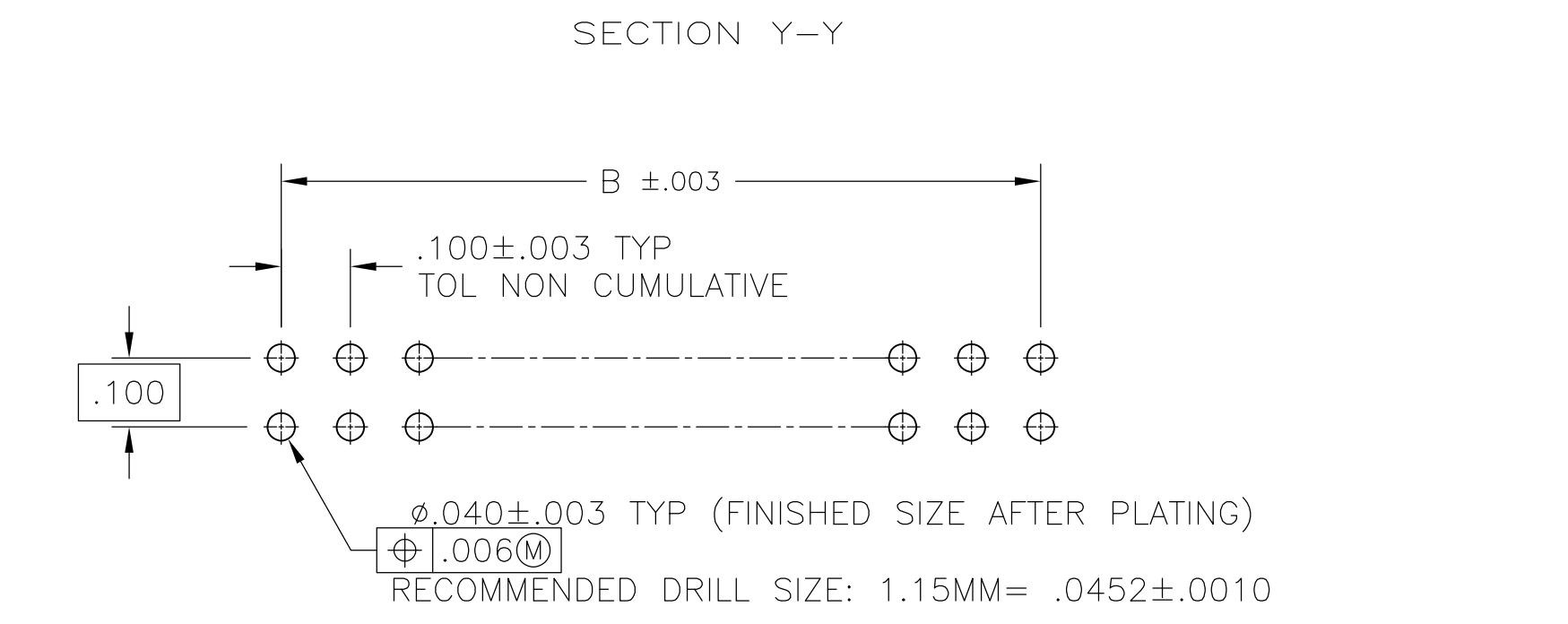


LOC		DIST		REVISIONS			
F	LTR	PER	ECO	DATE	DN	APVD	
LS	REVISED	PER	ECO-13-015097	25SEP2013	KH	JO	



SECTION X-X



RECOMMENDED HOLE SIZE

- 1 POINT OF MEASUREMENT FOR PLATING THICKNESS.
- 2 FINISH OVER INDICATED AREA: .000030 GOLD OVER .000050 NICKEL.
- 3 FINISH OVER INDICATED AREA: .000100-.000200 BRIGHT TIN LEAD OVER .000050 NICKEL.
- 4 RECESSED DATE CODE AND LOGO.
- 5 OBSOLETE PART NUMBER.
- 6 PRELIMINARY PART - NOT RELEASED FOR PRODUCTION
- 7 FINISH OVER INDICATED AREA: .000100-.000200 MATTE TIN OVER .000050 NICKEL.
- 8 ROHS 2002/95/EC COMPLIANT
- 9 OBSOLETE PARTS: OBSOLETE CIS STREAMLINING PER D.RENAUD/D.SINISI

NO. OF POSN	A	B	C ± .010	D	E	PART NUMBER
12	26	12	1.200	1.600	1.570	7-102692-9
79	160	79	1.200	1.600	8.270	7-102692-8
46	94	46	1.200	1.600	4.970	7-102692-7
21	44	21	1.200	1.600	2.470	7-102692-6
6	14	6	1.000	1.000	.970	7-102692-5
89	180	89	1.000	1.000	9.270	7-102692-4
73	148	73	1.000	1.000	7.670	7-102692-3
63	128	63	1.000	1.000	6.670	7-102692-2
69	140	69	1.000	1.000	7.270	7-102692-1
64	130	64	1.000	1.000	6.770	7-102692-0
42	86	42	1.000	1.000	4.570	6-102692-9
35	72	35	1.000	1.000	3.870	6-102692-8
14	30	14	1.400	1.800	1.770	6-102692-7
9	20	9	.900	1.300	1.270	6-102692-6
16	16	16	.700	1.100	1.070	6-102692-5
34	70	34	1.400	1.800	3.770	6-102692-4
19	40	19	1.900	2.300	2.270	6-102692-3
49	90	49	1.400	1.800	4.770	6-102692-2
99	200	99	1.400	1.800	10.270	6-102692-1
54	110	54	1.400	1.800	5.770	6-102692-0
120	120	120	1.400	1.800	6.270	5-102692-9
59	100	59	1.400	1.800	5.270	5-102692-8
47	96	47	1.400	1.800	5.070	5-102692-7
80	80	80	1.400	1.800	4.270	5-102692-6
39	60	39	1.400	1.800	3.270	5-102692-5
24	50	24	1.400	1.800	2.770	5-102692-4
17	36	17	1.700	2.100	2.070	5-102692-3
11	24	11	1.100	1.500	1.470	5-102692-2
5	12	5	.500	.900	.870	5-102692-1
12	26	12	1.200	1.600	1.570	2-102692-9
79	160	79	1.200	1.600	8.270	2-102692-8
46	94	46	1.200	1.600	4.970	2-102692-7
21	44	21	1.200	1.600	2.470	2-102692-6
6	14	6	1.000	1.000	.970	2-102692-5
89	180	89	1.000	1.000	9.270	2-102692-4
73	148	73	1.000	1.000	7.670	2-102692-3
63	128	63	1.000	1.000	6.670	2-102692-2
69	140	69	1.000	1.000	7.270	2-102692-1
64	130	64	1.000	1.000	6.770	2-102692-0
42	86	42	1.000	1.000	4.570	1-102692-9
35	72	35	1.000	1.000	3.870	1-102692-8
14	30	14	1.400	1.800	1.770	1-102692-7
9	20	9	.900	1.300	1.270	1-102692-6
16	16	16	.700	1.100	1.070	1-102692-5
34	70	34	1.400	1.800	3.770	1-102692-4
19	40	19	1.900	2.300	2.270	1-102692-3
49	90	49	1.400	1.800	4.770	1-102692-2
99	200	99	1.400	1.800	10.270	1-102692-1
54	110	54	1.400	1.800	5.770	1-102692-0
120	120	120	1.400	1.800	6.270	102692-9
59	100	59	1.400	1.800	5.270	102692-8
47	96	47	1.400	1.800	5.070	102692-7
80	80	80	1.400	1.800	4.270	102692-6
39	60	39	1.400	1.800	3.270	102692-5
24	50	24	1.400	1.800	2.770	102692-4
17	36	17	1.700	2.100	2.070	102692-3
11	24	11	1.100	1.500	1.470	102692-2
5	12	5	.500	.900	.870	102692-1

THIS DRAWING IS A CONTROLLED DOCUMENT.

APPROVED: J. GESFORD 12NOV98

DESIGNED: J. HAYMAKER 11JAN01

TE Connectivity

HEADER ASSEMBLY, MOD II, .100C.100CL, .025 SQ POSTS

SCALE: 4:1 SHEET 1 OF 1 REV 15

Mouser Electronics

Authorized Distributor

Click to View Pricing, Inventory, Delivery & Lifecycle Information:

[TE Connectivity:](#)

[5-102692-8](#)