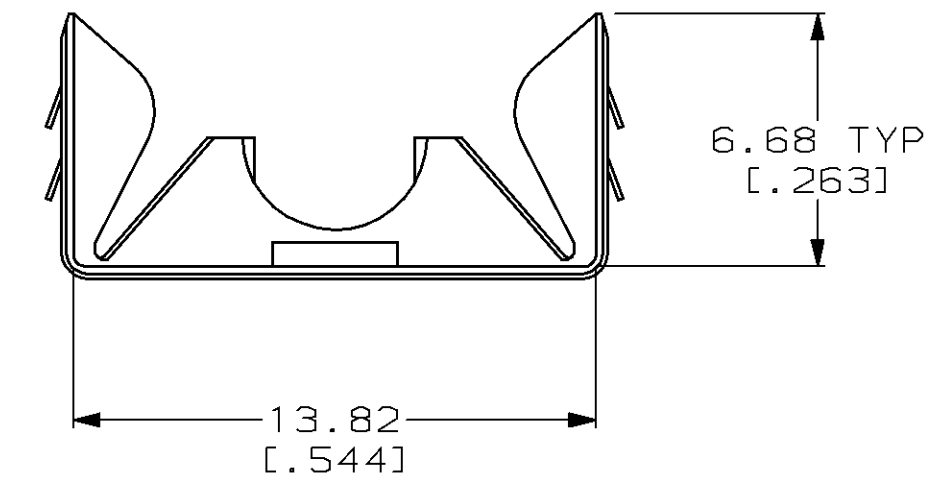
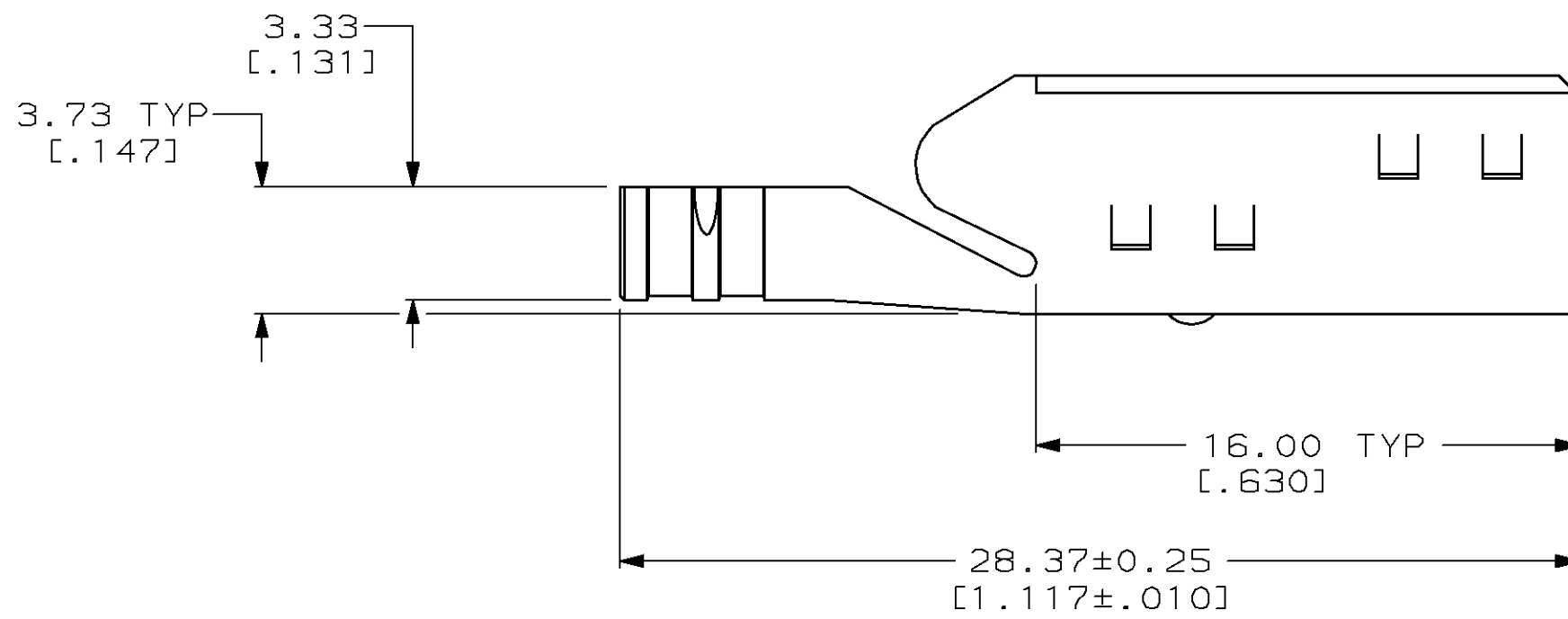


THIS DRAWING IS UNPUBLISHED. RELEASED FOR PUBLICATION, 19 .  
 © COPYRIGHT 19 BY AMP INCORPORATED. ALL INTERNATIONAL RIGHTS RESERVED.

LOC	DIST	P	F	ZONE	LTR	DESCRIPTION	DATE	APPD
BD	50				E	REDRAWN, REVISED PER ECN BD4702	9/27/90	-
					F	REV PER ECN BD4955	5-20-91	JP
					G	REV PER ECN BD5592	11/21/91	-
					H	REV PER EC 0410-251-97	22 SEP 97	JDS

1. THIS PART TO BE USED WITH:  
 PLUG ASSEMBLY 520424-3 (ALL KEY PREFIXES)  
 TOP SHIELD 520464-1

FERRULE	CABLE DIAMETER
520436-1	4.55-5.38 [.179-.212]
520437-1	5.13-6.25 [.202-.246]



520465-1  
 PART NUMBER

DO NOT SCALE PRINT. UNLESS SPECIFIED DIMENSIONS IN mm [INCHES] TOLERANCES ON : 2 PLC DEC ± 0.38 [.015] 3 PLC DEC ± - ANGLES ± -	DR 9/27/90 A. STAUB BG CHK 2-27-91 R STONE APPD 2-27-91 J PRITULSKY	AMP Incorporated Harrisburg, PA 17105-3608 NAME SHELL, BOTTOM HALF, 8 POSITION, SDL	
MATERIAL 0.320 [.0126] CARBON STEEL	APPD - PRODUCT SPEC -		
FINISH 3.81 µm [.000150] MIN TIN OVER 2.54 µm [.000100] MIN COPPER	APPLICATION SPEC - WEIGHT -	SIZE C 00779	DRAWING NO 520465
		SCALE 5:1	SHEET 1 OF 1

# Mouser Electronics

Authorized Distributor

Click to View Pricing, Inventory, Delivery & Lifecycle Information:

[TE Connectivity:](#)

[520465-1](#)