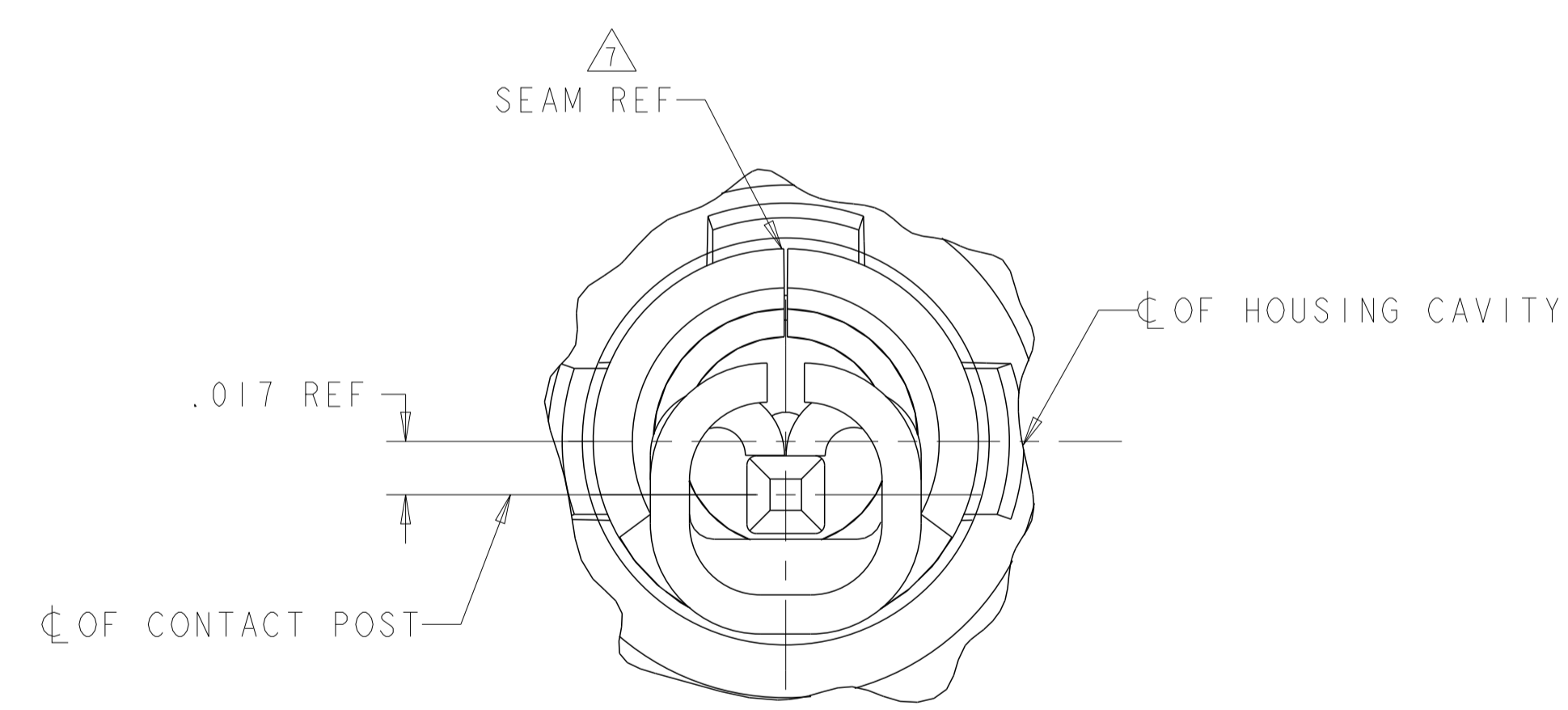
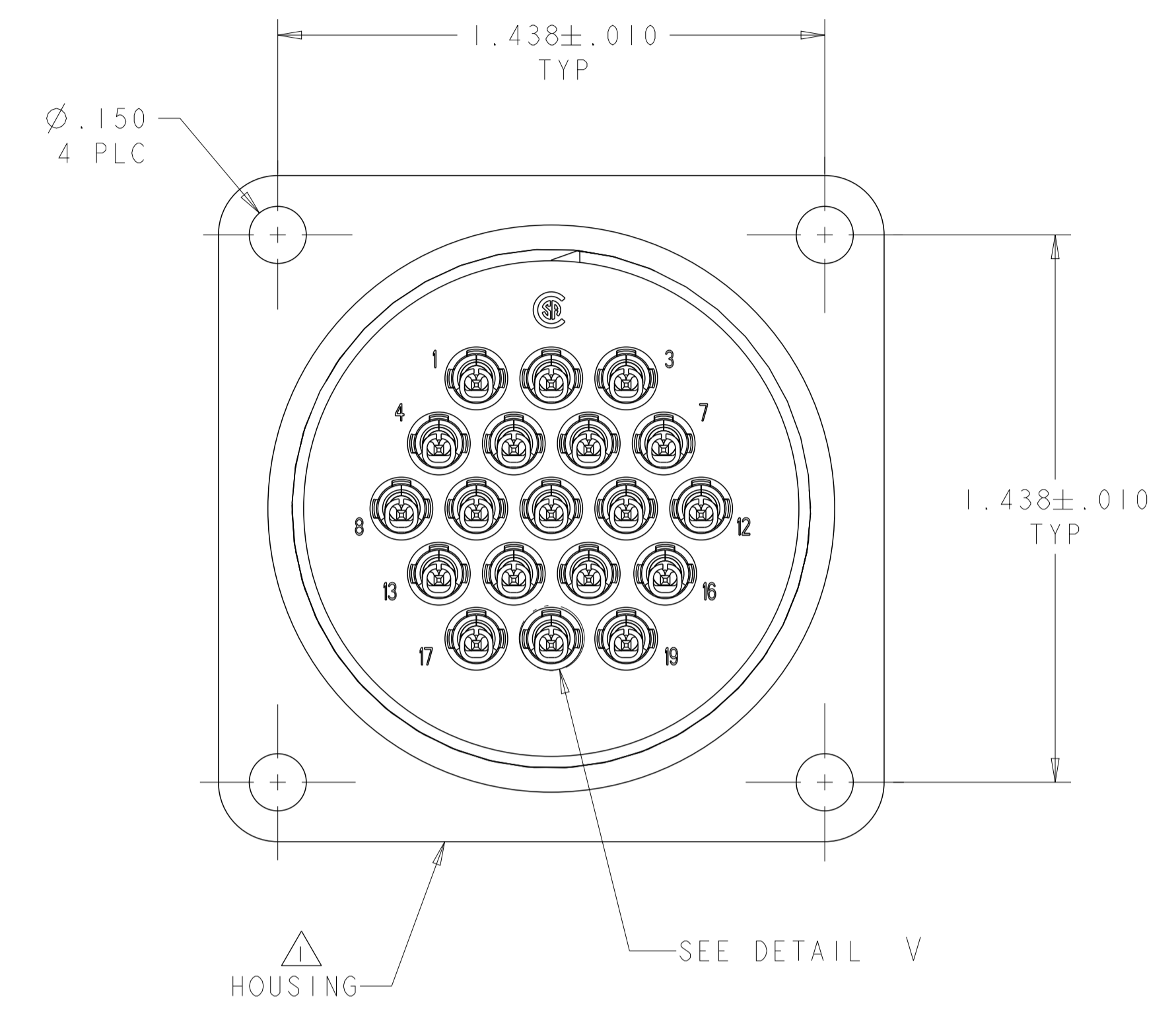
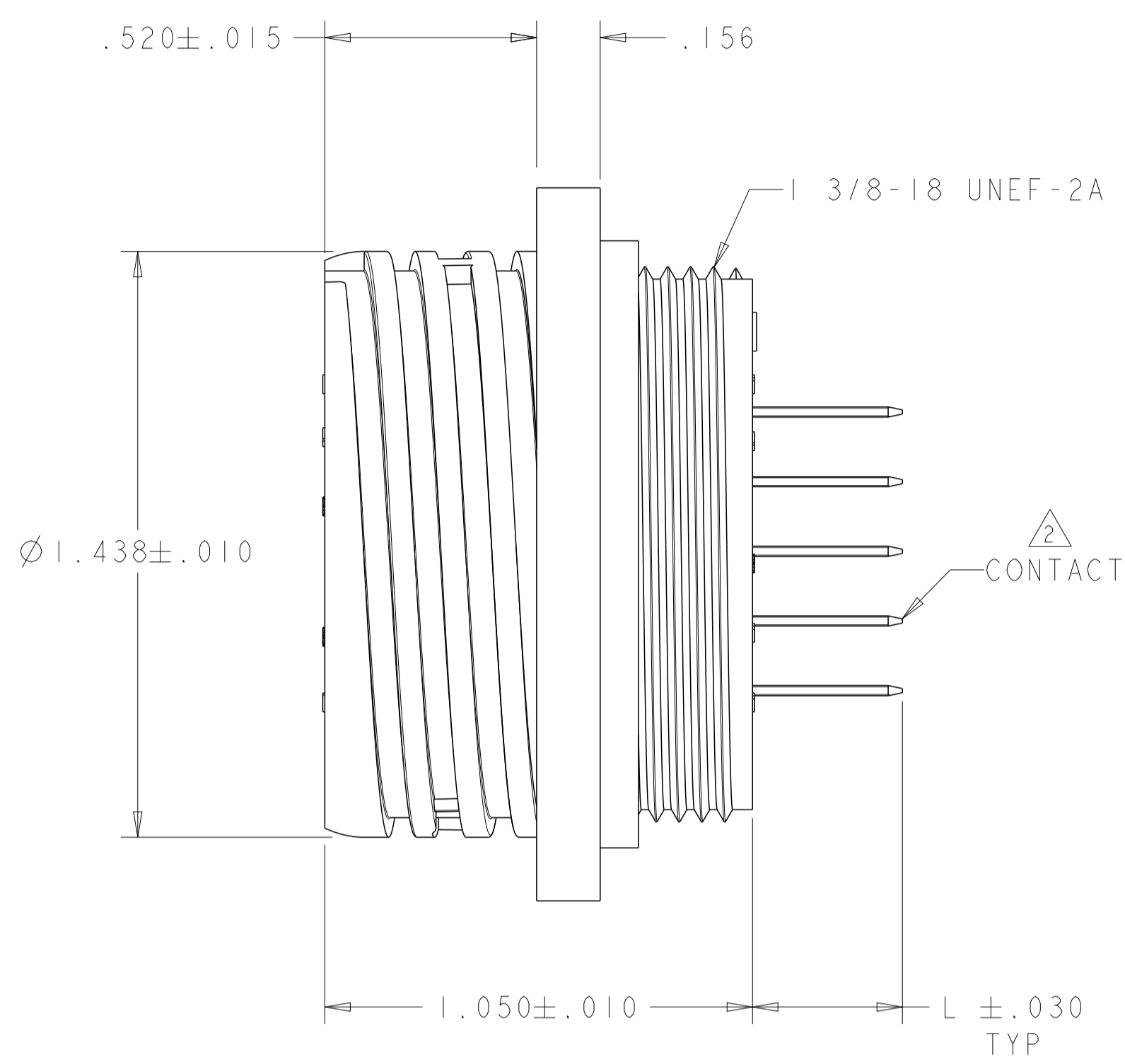
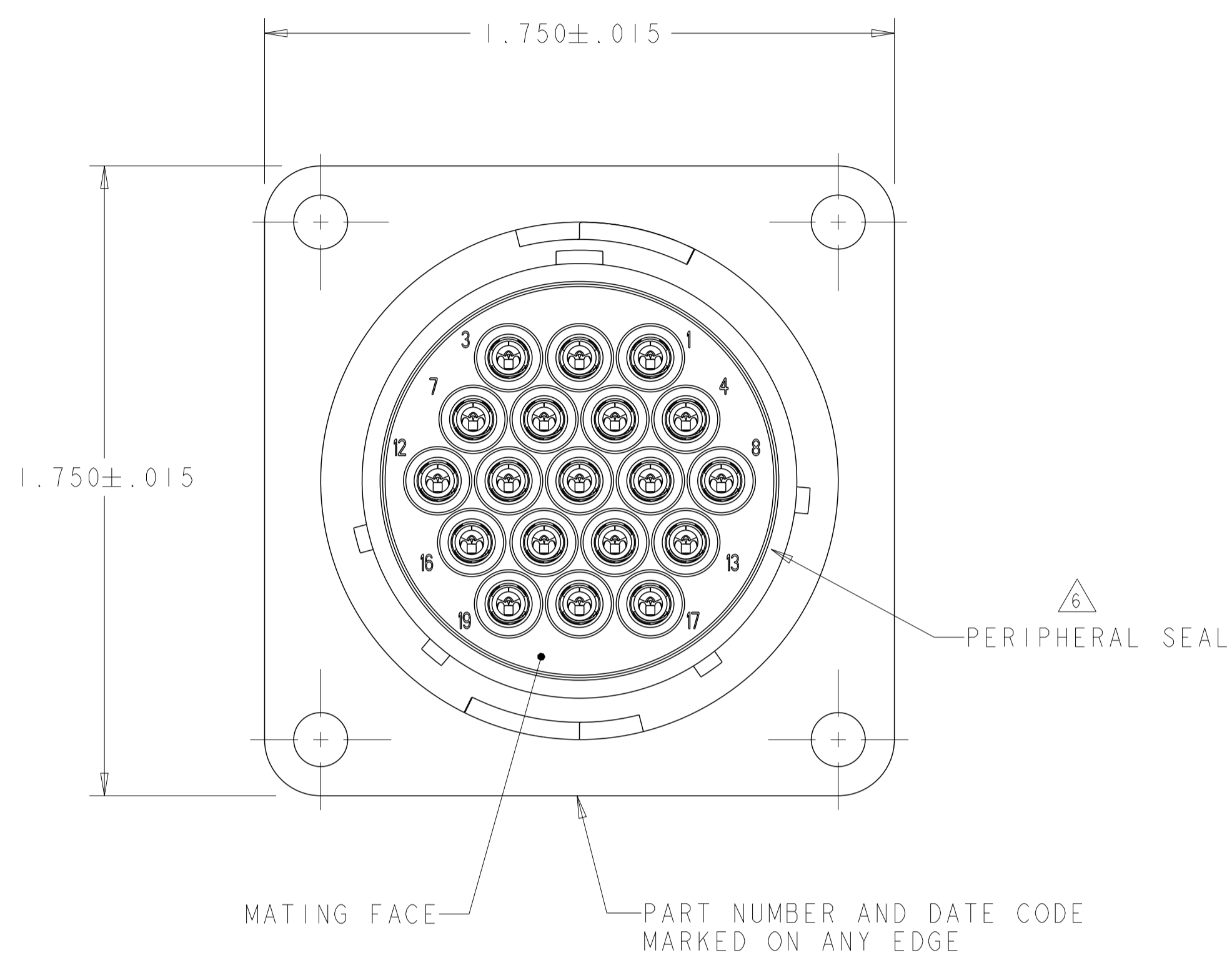


REVISIONS				
P	LTN	DESCRIPTION	DATE	APVD
L2		REVISED PER ECO-16-004800	10SEP2016	NK MZ
M		REVISED PER ECO-16-018356	22MAR2017	RS MZ
N		REVISED PER ECO-19-004839	03APR2019	RS MZ



DETAIL V  
SCALE 20:1

- ① HOUSING: NYLON, UL 94 V-0 RATED, COLOR: BLACK.
- ② CONTACT:  
BODY - BRASS, .000100 MIN TIN-LEAD OVER .000050 MIN NICKEL.  
POST - BRASS, .000100 MIN TIN-LEAD OVER .000050 MIN NICKEL.
- ③ CONTACT:  
BODY - BRASS, .000100 MIN TIN-LEAD OVER .000050 MIN NICKEL.  
POST - BRASS, .000030 MIN GOLD OVER .000050 MIN NICKEL.
- ④ CONTACT:  
BODY - BRASS, .000030 MIN GOLD OVER .000030 MIN NICKEL.  
POST - BRASS, .000100 MIN TIN-LEAD OVER .000050 MIN NICKEL.
- ⑤ CONTACT:  
BODY - BRASS, .000100 MIN TIN OVER .000050 MIN NICKEL.  
POST - BRASS, .000100 MIN TIN OVER .000050 MIN NICKEL.
- ⑥ PERIPHERAL SEAL - ELASTOMER, COLOR: GRAY.
- ⑦ .009 MAXIMUM CONTACT LEAD-IN SEAM GAP PERMISSIBLE ON MATING FACE END.
- ⑧ OBSOLETE PARTS: OBSOLETE CIS STREAMLINING PER D.RENAUD/D.SINISI

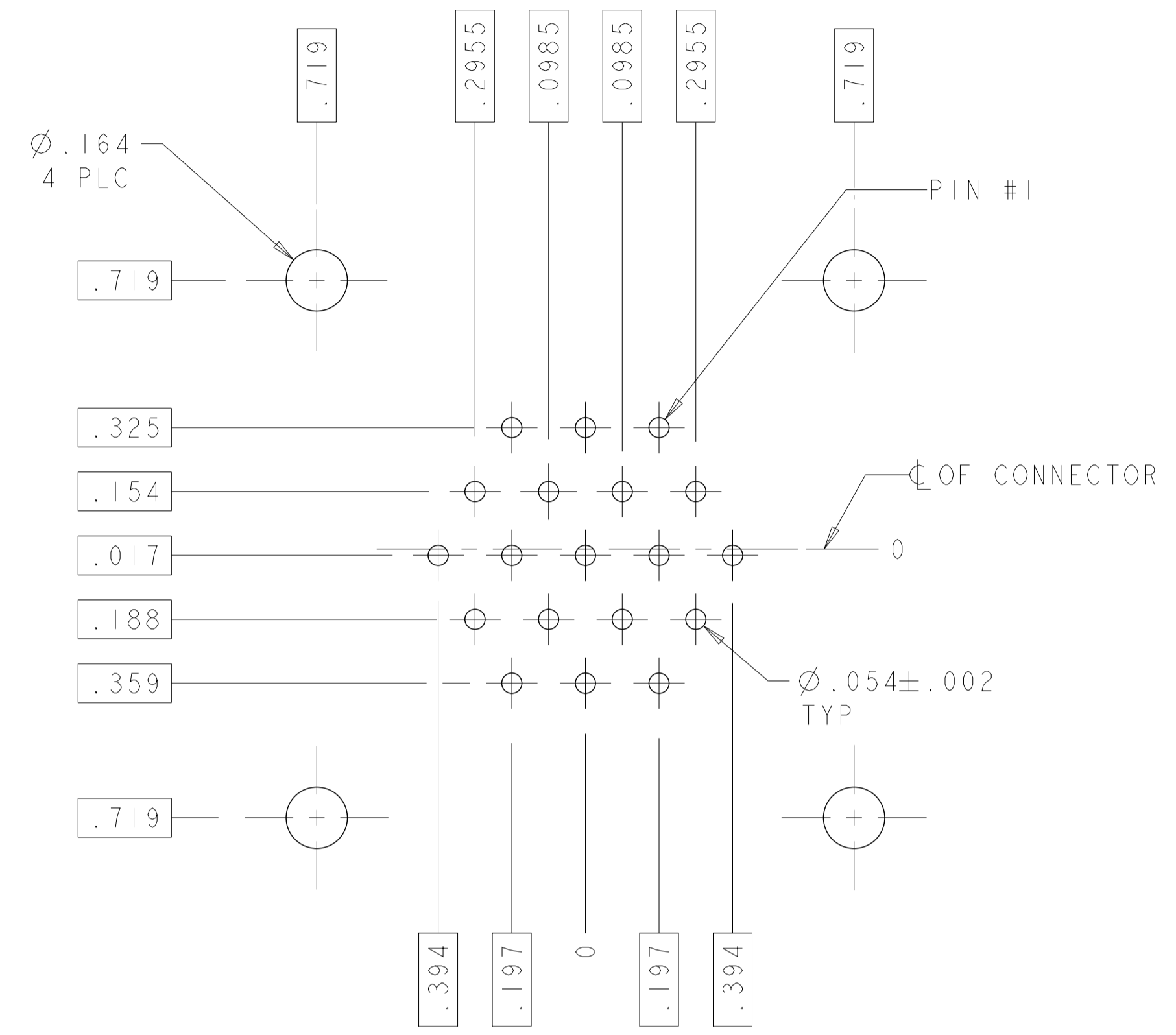
	.368	⑤	YES	ALL	213827-8
OBSOLETE	.368	⑤	YES	1-8, 10-19	<del>213827-7</del>
OBSOLETE	.368	②	NO	ALL	<del>213827-6</del>
⑧ OBSOLETE	.119	④	NO	ALL	<del>213827-5</del>
OBSOLETE	.368	③	YES	ALL	<del>213827-4</del>
	.368	②	YES	1-8, 10-19	213827-2
OBSOLETE	.368	②	YES	ALL	<del>213827-1</del>
	L		CONTACT FINISH	PERIPHERAL SEAL	SELECT LOADED IN POSITIONS
					PART NUMBER

THIS DRAWING IS A CONTROLLED DOCUMENT. DWG: S.WELDON ZIMAY2003  
 CHK: S.HEADER ZIMAY2003  
 DIMENSIONS: INCHES TOLERANCES UNLESS OTHERWISE SPECIFIED:  
 0 PLC ±.0005  
 1 PLC ±.0010  
 2 PLC ±.0015  
 3 PLC ±.0020  
 4 PLC ±.0030  
 ANGLES ±.0000  
 FINISH

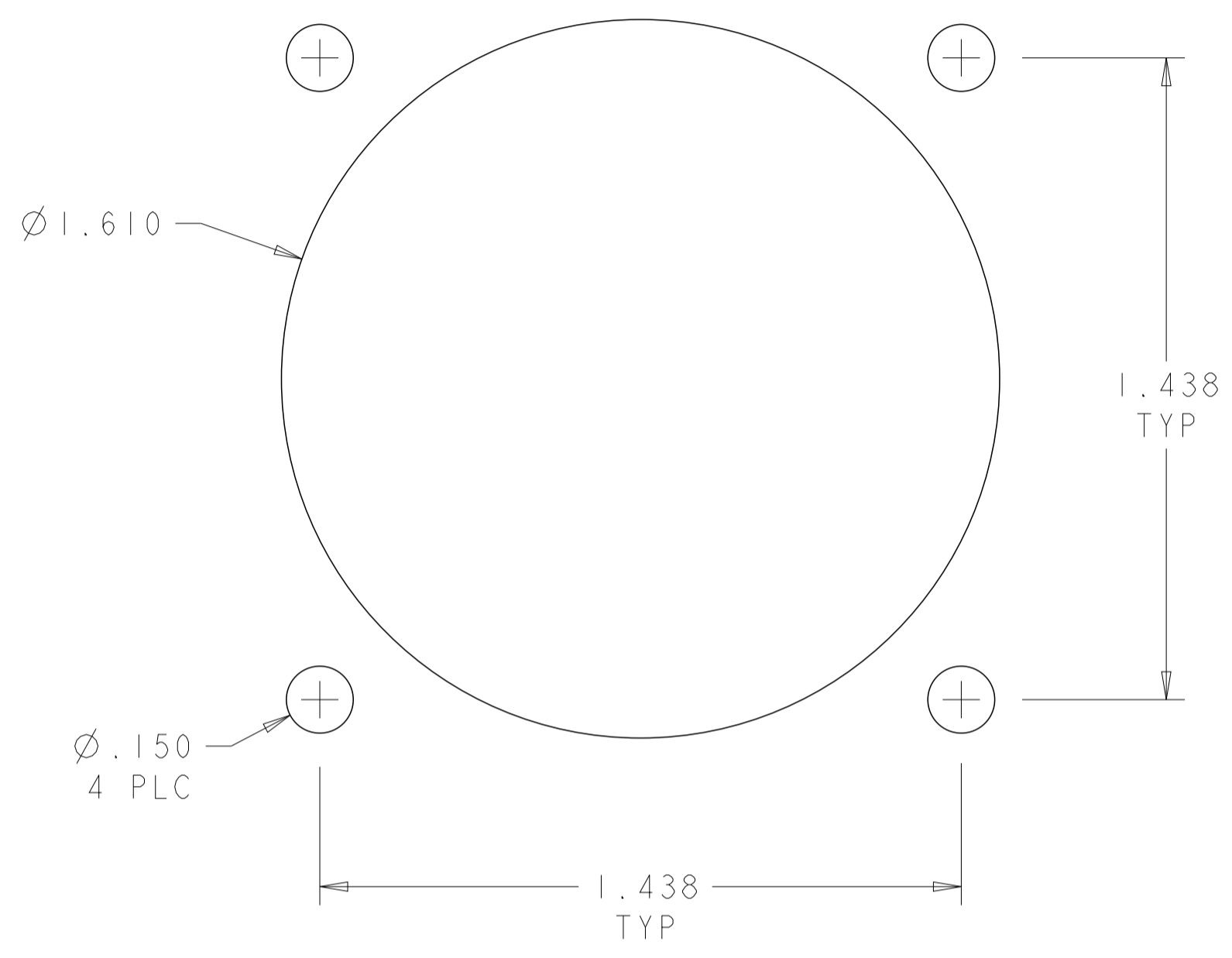
NAME: RECEPTACLE ASSEMBLY, POSTED, REVERSE SEX, SERIES 1, 23-19, CPC  
 PRODUCT SPEC: 108-10024  
 APPLICATION SPEC: 114-10038  
 SIZE: A1 CAGE CODE: 100779 DRAWING NO: 213827  
 WEIGHT: CUSTOMER DRAWING SCALE: 3:1 SHEET 1 OF 2 REV N

**TE** Connectivity

REVISIONS				
P	LTN	DESCRIPTION	DATE	APVD
-		SEE SHEET 1	-	-



RECOMMENDED PC BOARD LAYOUT



RECOMMENDED PC BOARD LAYOUT  
 .125 MAX PANEL THICKNESS

THIS DRAWING IS A CONTROLLED DOCUMENT.		DWN S. WELDON ZIMAY2003	TE Connectivity
DIMENSIONS: INCHES		CHK S. HEADER ZIMAY2003	
TOLERANCES UNLESS OTHERWISE SPECIFIED: 0 PLC ±.0 1 PLC ±0.0 2 PLC ±0.00 3 PLC ±0.010 4 PLC ±0.0000 ANGLES ±.		APVD S. HEADER ZIMAY2003	NAME RECEPTACLE ASSEMBLY, POSTED, REVERSE SEX, SERIES 1, 23-19, CPC
MATERIAL		WEIGHT	SIZE CAGE CODE DRAWING NO. RESTRICTED TO
FINISH		CUSTOMER DRAWING	A100779C=213827
		SCALE 3:1	SHEET 2 OF 2 REV N