

THIS DRAWING IS UNPUBLISHED. RELEASED FOR PUBLICATION  
 © COPYRIGHT BY TYCO ELECTRONICS CORPORATION. ALL RIGHTS RESERVED.

LOC		DIST		REVISIONS			
P	LTR	DESCRIPTION	DATE	DWN	APVD		
GP	00	H2	REVISED PER ECO-07-008008	10APR07	JDP	CWR	

D

C

B

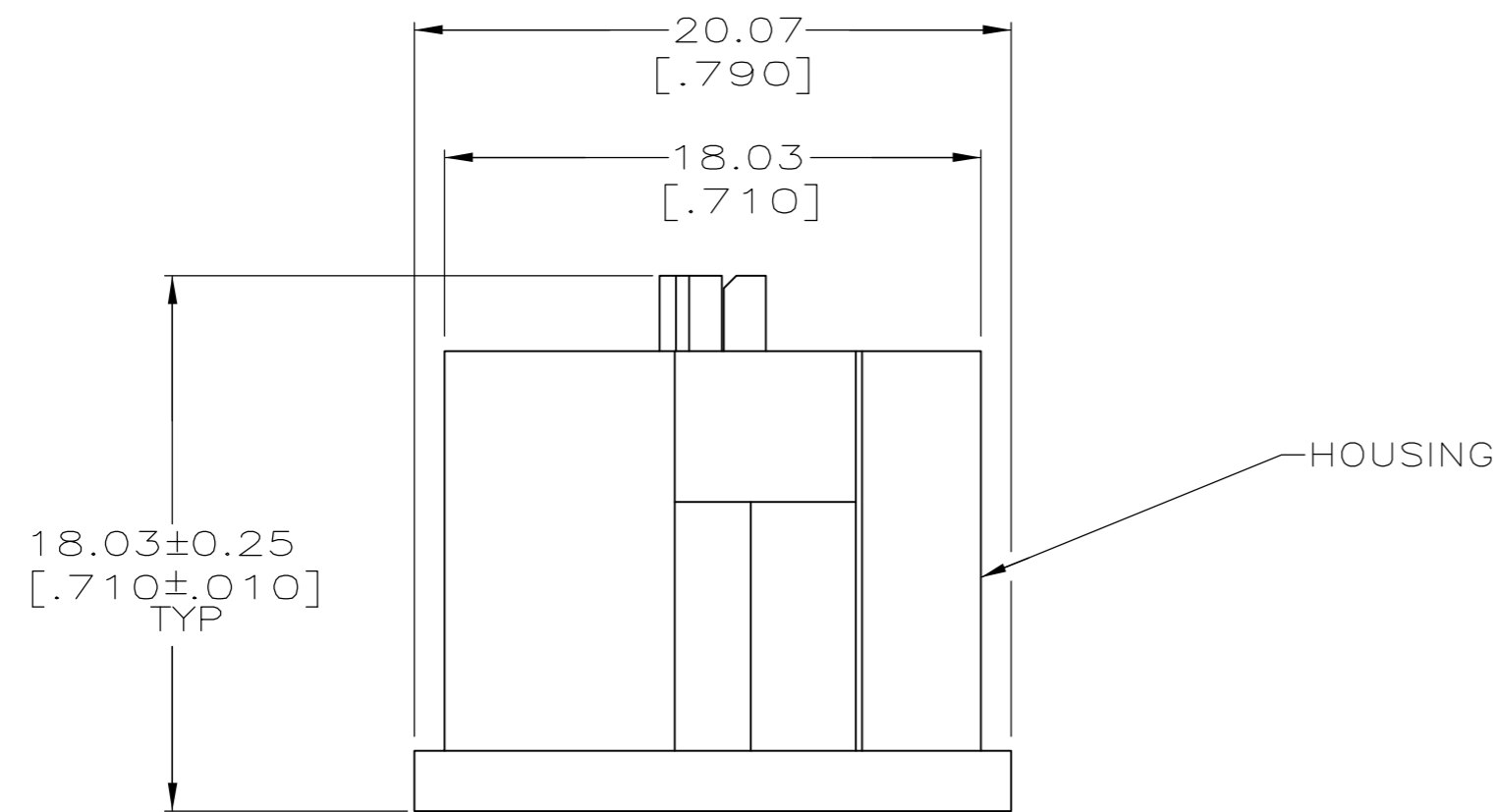
A

D

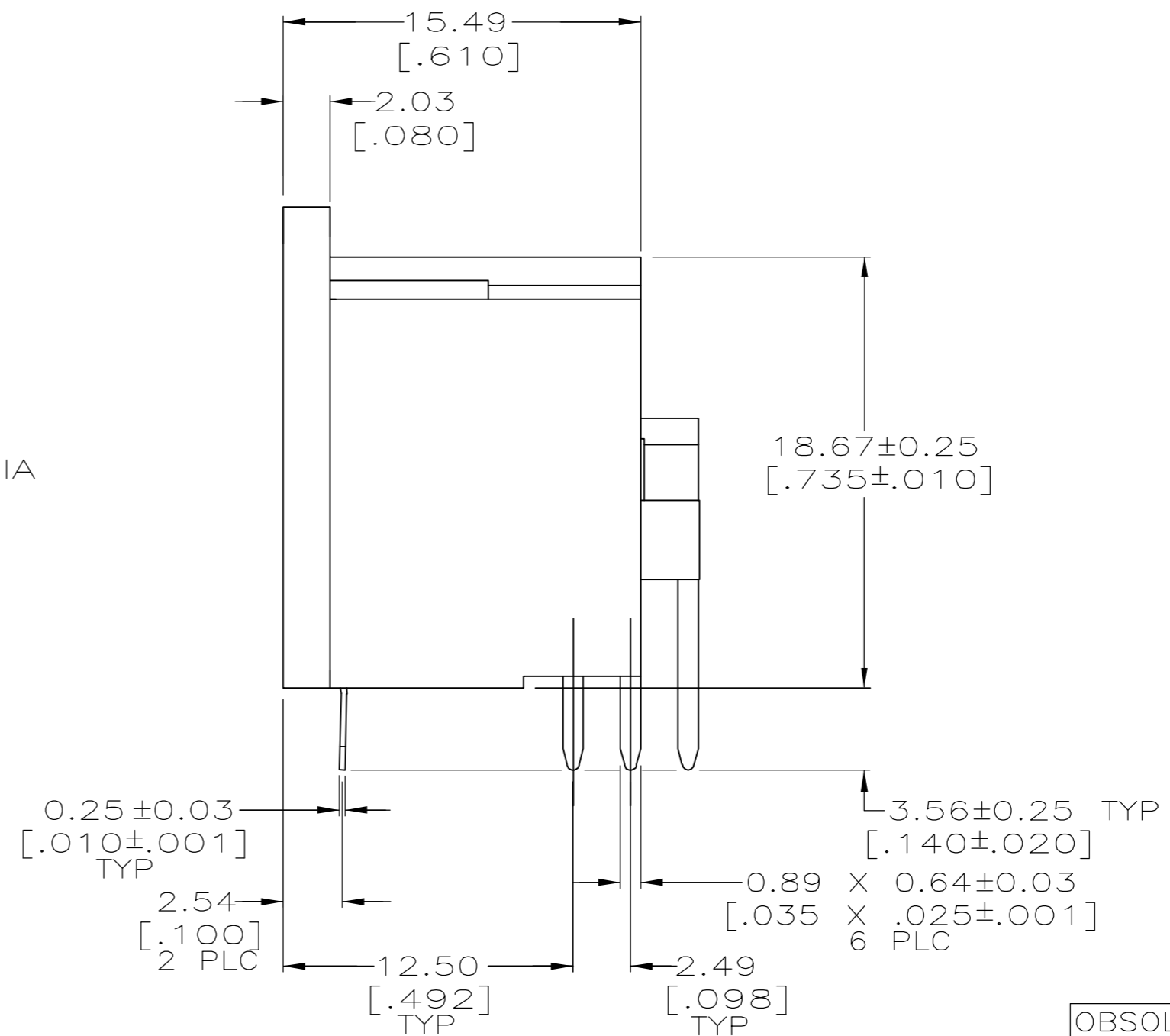
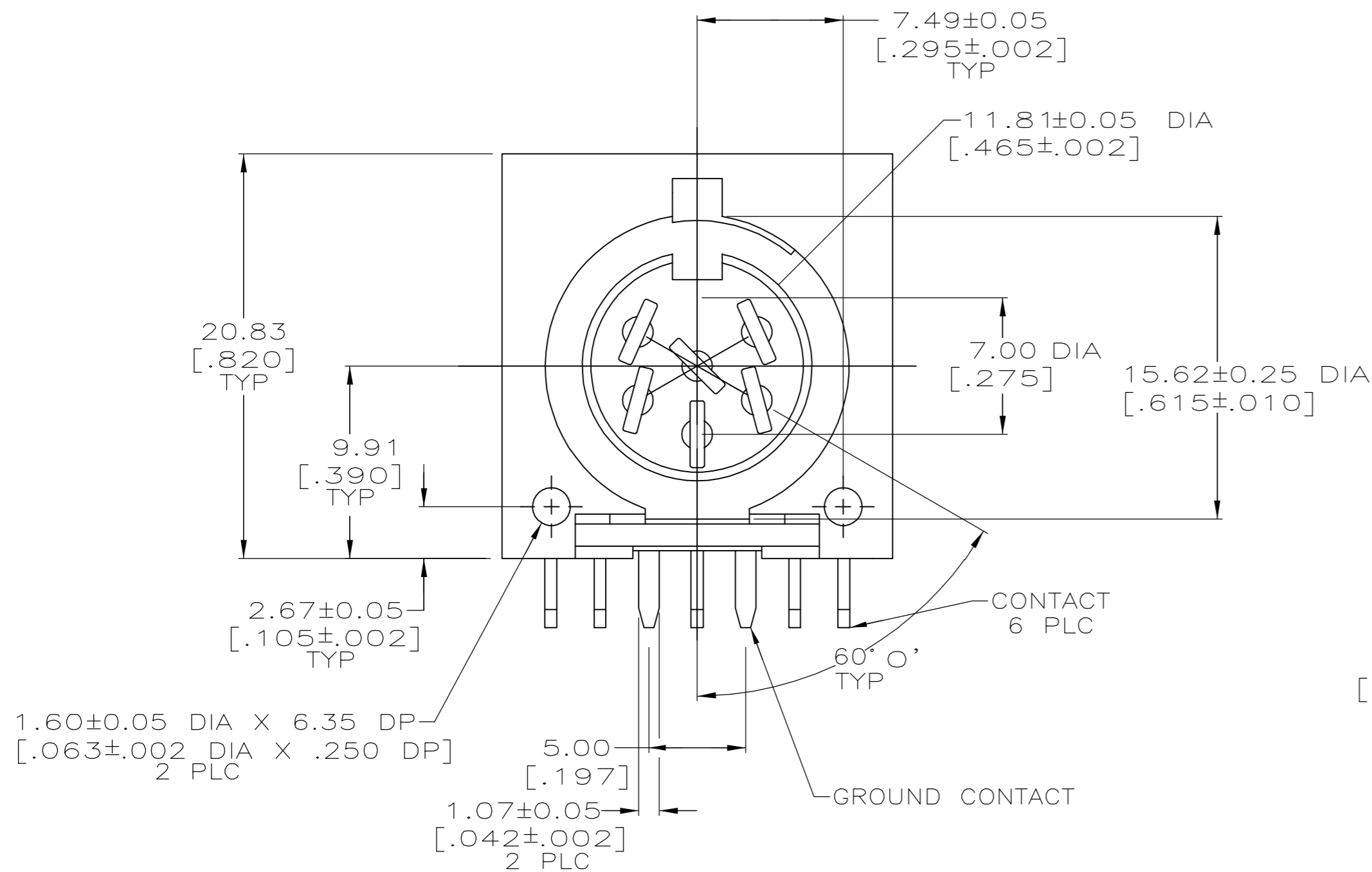
C

B

A



- ① NYLON, UL 94V-0 RATED, BLACK.
- ② 2.54µm [.000100] MIN TIN-LEAD OVER 1.27µm [.000050] MIN NICKEL.
- ③ TIN PLATING PER MIL-T-10727, NICKEL PLATING PER QQ-N-290.
- ④ ACCEPTS #2 SELF-TAPPING SCREW, .250 LONG REF.
- ⑤ MATES WITH 6 POSITION SHIELDED DIN PLUG 212437-4.
- ⑥ BRASS PER ASTM B36.
- ⑦ 2.54µm [.000100] MIN TIN OVER 1.27µm [.000050] MIN NICKEL.



OBsolete	⑦	9-211509-0
	②	211509-1
FINISH		PART NUMBER

THIS DRAWING IS A CONTROLLED DOCUMENT.		DWN	A.STAUB BG	8/12/91	tyco Electronics		Tyco Electronics Corporation Harrisburg, PA 17105-3608			
DIMENSIONS: mm [INCHES]		CHK	-	-	NAME		RECEPTACLE ASSY, RIGHT ANGLE, 6 POSITION, CIRCULAR DIN			
TOLERANCES UNLESS OTHERWISE SPECIFIED:		APVD	-	-	PRODUCT SPEC		108-10047			
0 PLC ± -		APPLICATION SPEC		114-40025		SIZE	CAGE CODE	DRAWING NO	RESTRICTED TO	
1 PLC ± -		MATERIAL		FINISH		A2	00779	C=211509	-	
2 PLC ± 0.13[.005]		SEE TABLE		WEIGHT		CUSTOMER DRAWING		SCALE	SHEET	REV
3 PLC ± -								4:1	1 of 1	H2
4 PLC ± -										
ANGLES ± -										
FINISH										

# Mouser Electronics

Authorized Distributor

Click to View Pricing, Inventory, Delivery & Lifecycle Information:

[TE Connectivity:](#)

[9-211509-0](#)