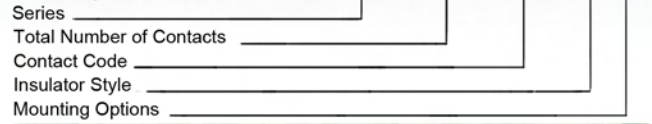




SERIES 305/315/355



Example Part Number 305 - 056 - 521 - 2 04



Series	Insulator Colour	Card Slot Length
305	Green	Standard Length per MIL-C-21097
315	Green	.020 (0.51) Shorter than Standard
355	Black	Standard Length per MIL-C-21097

Total Number of Contacts	Contact Rows
012, 014,, 086	Dual Row

Contact Code	Description & Tail Size	Tail Length "G"
500	Wire Hole .087 x .013 (2.21 x 0.33)	.282(7.16)
520	P.C. Tail .046 x .013 (1.17 x 0.33)	.213(5.41)
521	P.C. Tail .046 x .013 (1.17 x 0.33)	.125(3.18)
555	Extender Board Bend (Code 500 Contacts)	
556	Extender Board Bend (Code 520 Contacts)	

Insulator Style	Description
2	.295 (7.49) Card Slot Depth
5	.330 (8.38) Card Slot Depth

Mounting Options	Description
01	No Mounting Lugs
02	.128 (3.25) Dia. Mounting Holes
03	.116 (2.95) I.D. Floating Eyelets
04	.156 (3.96) Dia. Mounting Holes
07	M3-0.5 Metric Threaded Inserts
08	#4-40 Unified Threaded Inserts
58	.468 (11.89) Offset Card Guides
68	.344 (8.74) Offset Card Guides
78	In-Line Card Guides

Ordering Code Notes

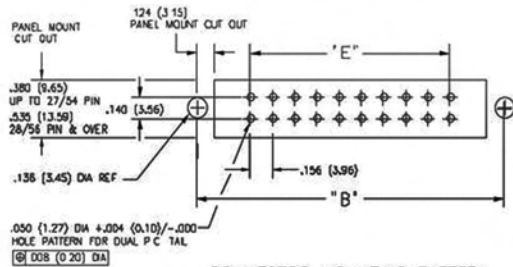
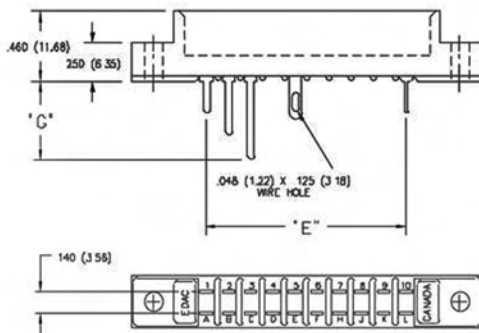
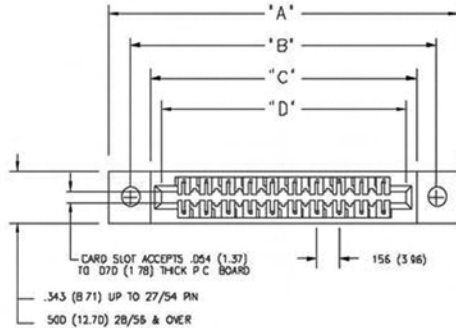
- 1) All connector sizes up to 86 contacts dual row are available upon request
- 2) Consult with EDAC regarding single row configuration and wire wrap tail options
- 3) Insulator style code 5 is available for the 305 and 355 series upon request

FEATURES

- UL Recognized
- .156 (3.96) Contact Spacing x .140 (3.56) Row Spacing
- Accepts .062 (1.57) Nominal Thickness P.C. Board
- Low Profile Insulator Body, .460 (11.68)
- Contact Termination Options include P.C. Tail, Wire Hole & Extender Board Bends
- Large Variety of Mounting Options
- Pre-assembled Card Guides Available
- Accepts Between Contact and In-Contact Polarizing Keys

SPECIFICATIONS

- Insulator Material: Thermoplastic Polyester, UL 94V-0.
- Contact Material: Copper, Nickel, Tin Alloy CA-725
- Contact Plating: Gold on the Mating Area, Tin on the Contact Tails, Nickel Underplate
- Current Rating: 5 Amperes Continuous
- Contact Resistance: 10 Milliohms Maximum
- Dielectric Withstanding Voltage: 1800 V AC rms at Sea Level Between Adjacent Contacts
- Insulation Resistance: 5000 Megohms Minimum
- Operating Temperature: -65 to +105 Degrees C
- Insertion Force: 16 oz (4.45 N) Maximum per Contact Pair when Tested with a .070 (1.78) Thick Gauge
- Withdrawal Force: 1 oz (.28 N) Minimum per Contact Pair when Tested with a .054 (1.37) Thick Gauge



CONNECTOR MOUNTING PATTERN

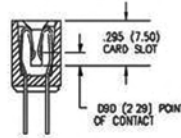
IN-CONTACT POLARIZING KEY
P/N 307-240-326



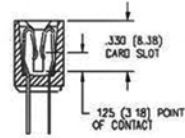
BETWEEN CONTACT POLARIZING KEY
P/N 306-240-318



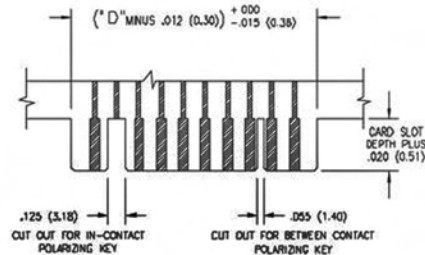
SECTIONS THROUGH CONTACT POSITION



INSULATOR STYLE CODE 2



INSULATOR STYLE CODE 5



RECOMMENDED DAUGHTER BOARD

NUMBER OF CONTACTS	"A"	"B"	"C"	"D"		"E"
				305, 355	315	
Dual	Inch (mm)	Inch (mm)	Inch (mm)	Inch (mm)	Inch (mm)	Inch (mm)
12	1.842 (46.79)	1.532 (38.91)	1.246 (31.65)	1.100 (27.94)	1.080 (27.43)	.780 (19.81)
20	2.466 (62.64)	2.156 (54.76)	1.870 (47.50)	1.724 (43.79)	1.704 (43.26)	1.404 (35.66)
24	2.778 (70.56)	2.468 (62.69)	2.182 (55.42)	2.036 (51.71)	2.016 (51.21)	1.716 (43.59)
30	3.246 (82.45)	2.936 (74.57)	2.650 (67.31)	2.504 (63.60)	2.484 (63.09)	2.184 (55.47)
36	3.714 (94.34)	3.404 (86.46)	3.118 (79.20)	2.972 (75.49)	2.952 (74.98)	2.652 (67.36)
44	4.338 (110.19)	4.028 (102.31)	3.742 (95.05)	3.596 (91.34)	3.576 (90.83)	3.276 (83.21)
48	4.650 (118.11)	4.340 (110.24)	4.054 (102.97)	3.908 (99.26)	3.888 (98.76)	3.588 (91.14)
50	4.806 (122.07)	4.496 (114.20)	4.210 (106.93)	4.064 (103.23)	4.044 (102.72)	3.744 (95.10)
56	5.274 (133.96)	4.964 (126.09)	4.678 (118.82)	4.532 (115.11)	4.512 (114.60)	4.212 (106.98)
60	5.586 (141.88)	5.276 (134.01)	4.990 (126.75)	4.844 (123.04)	4.824 (122.53)	4.524 (114.91)
72	6.522 (165.66)	6.212 (157.78)	5.926 (150.52)	5.780 (146.81)	5.760 (146.30)	5.460 (138.68)
86	7.614 (193.40)	7.304 (185.52)	7.018 (178.26)	6.872 (174.55)	6.852 (174.04)	6.552 (166.42)

Dimensions of Other Connector Sizes are Listed

Mouser Electronics

Authorized Distributor

Click to View Pricing, Inventory, Delivery & Lifecycle Information:

EDAC:

[355-012-500-201](#) [355-012-500-202](#) [355-012-500-204](#) [355-012-520-201](#) [355-012-520-202](#) [355-012-520-204](#) [355-012-521-201](#) [355-012-521-202](#) [355-012-521-204](#) [355-020-500-201](#) [355-020-500-202](#) [355-020-500-204](#) [355-020-520-201](#) [355-020-520-202](#) [355-020-520-204](#) [355-020-521-201](#) [355-020-521-202](#) [355-020-521-204](#) [355-024-500-201](#) [355-024-500-202](#) [355-024-500-204](#) [355-024-520-201](#) [355-024-520-202](#) [355-024-520-204](#) [355-024-521-201](#) [355-024-521-202](#) [355-024-521-204](#) [355-030-500-201](#) [355-030-500-202](#) [355-030-500-204](#) [355-030-520-201](#) [355-030-520-202](#) [355-030-520-204](#) [355-030-521-201](#) [355-030-521-202](#) [355-030-521-204](#) [355-036-500-201](#) [355-036-500-202](#) [355-036-500-204](#) [355-036-520-201](#) [355-036-520-202](#) [355-036-520-204](#) [355-036-521-201](#) [355-036-521-202](#) [355-036-521-204](#) [355-044-500-201](#) [355-044-500-202](#) [355-044-500-204](#) [355-044-520-201](#) [355-044-520-202](#) [355-044-520-204](#) [355-044-521-201](#) [355-044-521-202](#) [355-044-521-204](#) [355-050-500-201](#) [355-050-500-202](#) [355-050-500-204](#) [355-050-520-201](#) [355-050-520-202](#) [355-050-520-204](#) [355-050-521-201](#) [355-050-521-202](#) [355-050-521-204](#) [355-056-500-201](#) [355-056-500-202](#) [355-056-500-204](#) [355-056-520-201](#) [355-056-520-202](#) [355-056-520-204](#) [355-056-521-201](#) [355-056-521-202](#) [355-056-521-204](#) [355-060-500-201](#) [355-060-500-202](#) [355-060-500-204](#) [355-060-520-201](#) [355-060-520-202](#) [355-060-520-204](#) [355-060-521-201](#) [355-060-521-202](#) [355-060-521-204](#) [355-072-500-201](#) [355-072-500-202](#) [355-072-500-204](#) [355-072-520-201](#) [355-072-520-202](#) [355-072-520-204](#) [355-072-521-201](#) [355-072-521-202](#) [355-072-521-204](#) [355-086-500-201](#) [355-086-500-202](#) [355-086-500-204](#) [355-086-520-201](#) [355-086-520-202](#) [355-086-520-204](#) [355-086-521-201](#) [355-086-521-202](#) [355-086-521-204](#) [305-016-500-201](#)