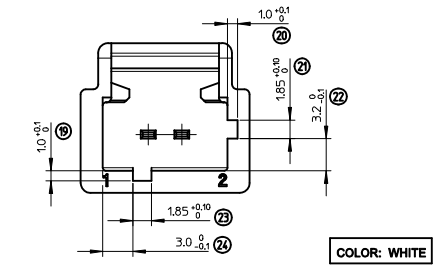
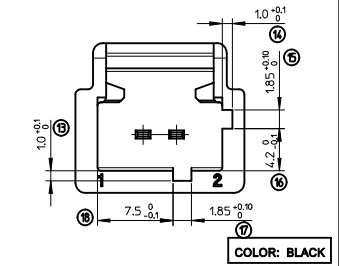
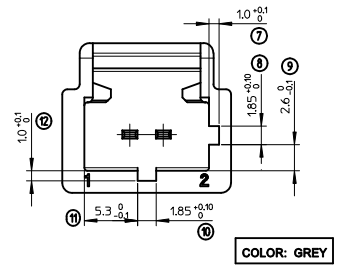
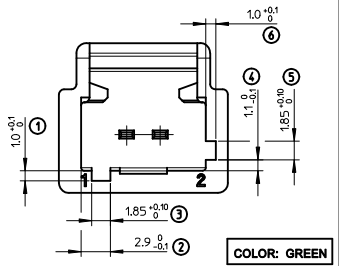
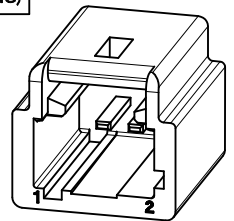


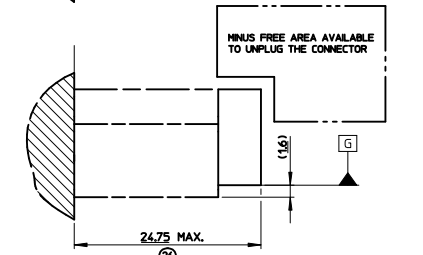
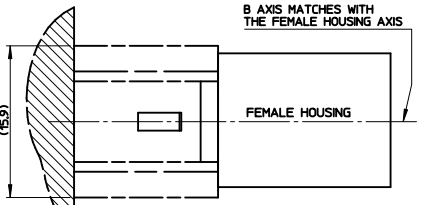
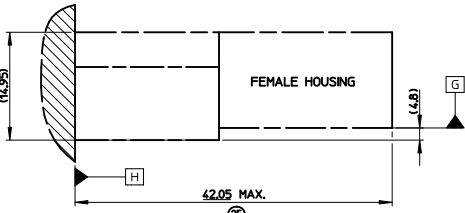
CODINGS



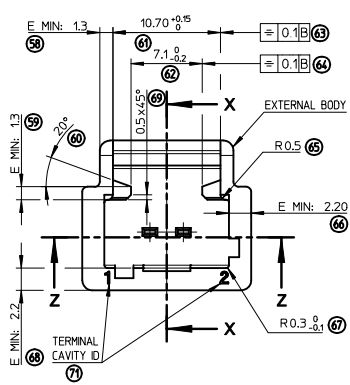
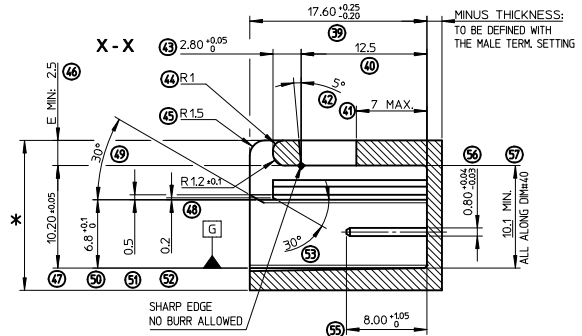
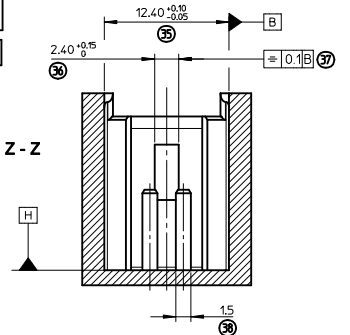
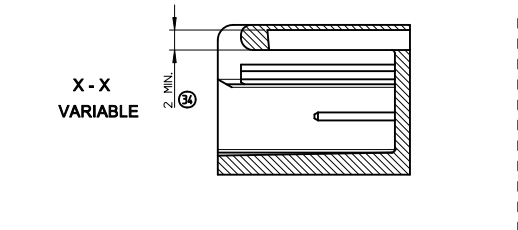
**ISO VIEW
(GREEN CODING)**



OVERALL DIMENSIONS



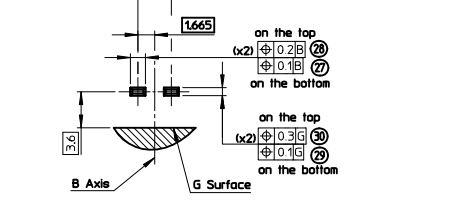
**HEADER'S DEFINITION
GREEN CODING REPRESENTED**



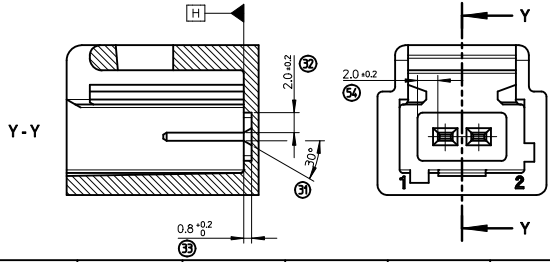
NOTES:

- MALE TERMINALS:**
 - MALE TERMINALS RESISTANCE: 100N MIN IN MALE TERM. AXIS.
 - MATERIAL: COPPER, COPPER ALLOY OR BRASS.
 - FINISHES: TIN PLATED 2μ MIN.
- HEADER:**
 - RADII WITHOUT DIM: R=0.3MM
 - E MIN: MINIMUM MATERIAL THICKNESS RECOMMENDED FOR SPECIFIED MATERIAL.
 - MATERIAL: PBT (RECOMMENDED) (70)
 - * WARPING: 0.35MM MAX. ACCEPTED ON "*" DIM. WITH ANOTHER EXTERNAL SHAPE AS DRAWN WHEN PLUGGED.
- MATES WITH:**
 - MOLEX CONNECTORS 9887-102X

MALE TERMINALS SETTING



MALE TERMINALS VARIABLE SETTING

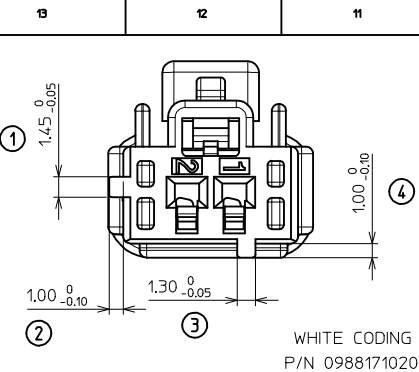


REV.	1	71		
	FIRST	LAST	DELETED	SUPERSEDED

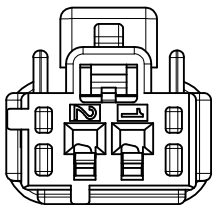
INSPECTION NUMBERS

PRINT 1ST RELEASE EC NO: G2012-0179 DRAWN BY: GDESBRUERES 2012/04/18 CHKD: JDUCCLOS 2012/04/18 APPROVED: OPLESSIS 2012/04/23	QUALITY SYMBOLS ✓ ✓ ✓	GENERAL TOLERANCES (UNLESS SPECIFIED)	
		4 PLACES ± --- ± --- 3 PLACES ± --- ± --- 2 PLACES ± 0.1 ± --- 1 PLACE ± 0.1 ± --- 0 PLACE ± ± ---	DIMENSION STYLE MM ONLY
DRAFT WHERE APPLICABLE MUST REMAIN WITHIN DIMENSIONS		MATERIAL NO. N/A	

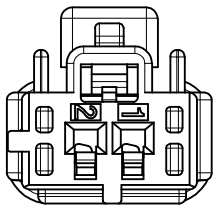
DRAWN BY: GDESBRUERES 2012/04/18 CHECKED BY: JDUCCLOS 2012/04/18 APPROVED BY: OPLESSIS 2012/04/23	SCALE: 4:1 DESIGN UNITS: METRIC FIRST ANGLE PROJECTION	TITLE: 2W INTERFACE 15 TERM. (FOR FEMALE HOUSING)	SHEET NO. 1 OF 1
DOCUMENT NO. SD-98815-002		molex	
THIS DRAWING CONTAINS INFORMATION THAT IS PROPRIETARY TO MOLEX INCORPORATED AND SHOULD NOT BE USED WITHOUT WRITTEN PERMISSION			



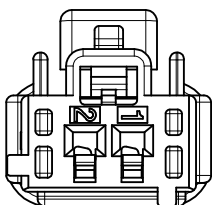
WHITE CODING
P/N 0988171020



BLACK CODING
P/N 0988171021



GREY CODING
P/N 0988171028

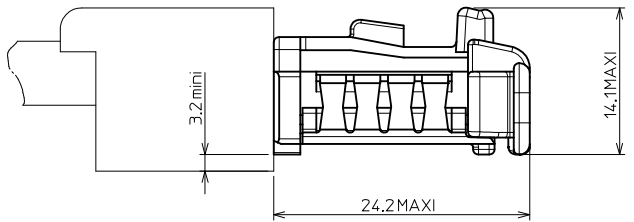
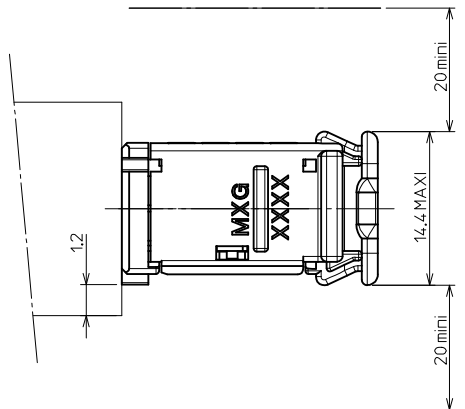


GREEN CODING
P/N 0988171025

CODING 4:1

HANDLING AREA

AREA REQUIRED TO MATE AND UNMATE THE CONNECTOR



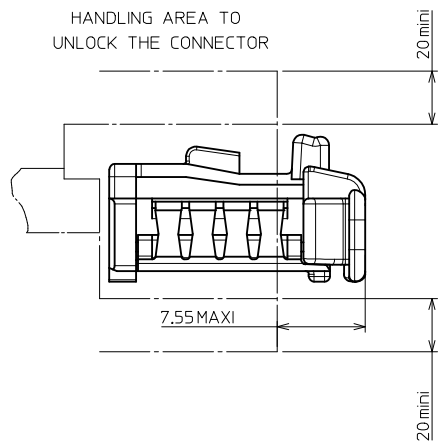
NOTE : 1 - The using conditions of the hinge are shown in the MOLEX specification n°AS-98821-001.

- 2 - Female terminal used : SCC RCPT TERM 1.5mm
 - Range 1 : 0988971109 (0.22 mm² to 2x0.22 mm²)
 - Range 2 : 0988971119 (0.5 mm² to 1 mm² included)
 - Range 3 : 0988971129 (2x0.5 mm² to 2 mm² included)

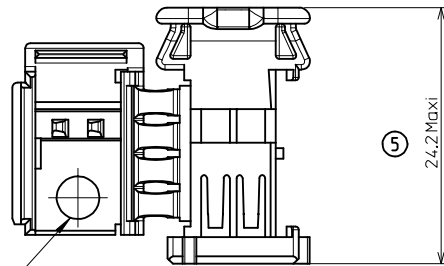
3 - Female connector will mate with male connector P/N 098822102x.

AREA REQUIRED WHEN THE CONNECTOR IS MATED

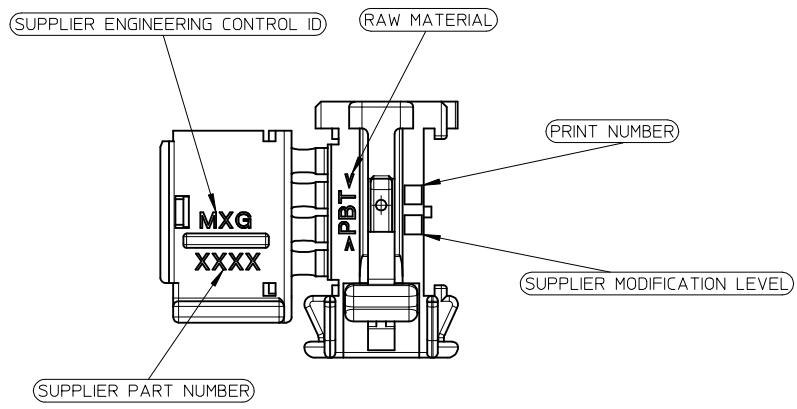
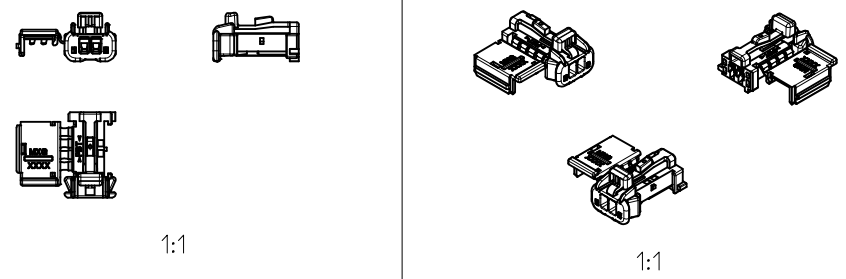
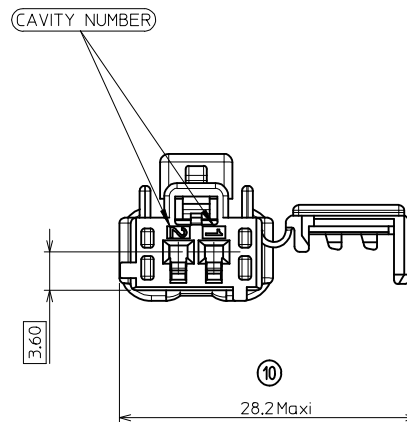
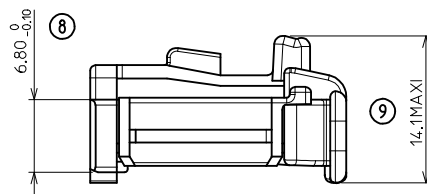
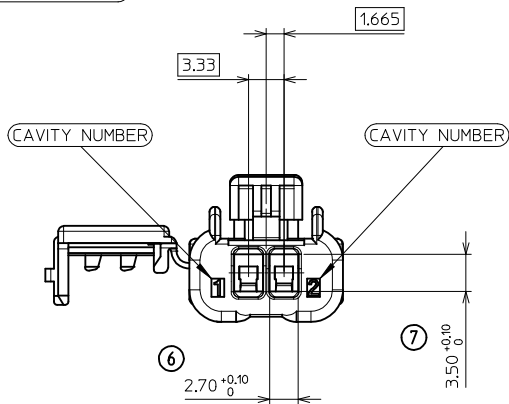
HANDLING AREA TO UNLOCK THE CONNECTOR



FIRST RELEASE EC NO: G2007-0386 DRWN: LPOUCHAUD 2008/03/10 CHKD: YIGEL 2008/03/10 APPR: LSTICKEIR 2008/03/10	QUALITY SYMBOLS 	GENERAL TOLERANCES (UNLESS SPECIFIED)		DIMENSION STYLE	SCALE	DESIGN UNITS	THIRD ANGLE PROJECTION	
				MM ONLY	3:1	METRIC		
				DRAWN BY	DATE	TITLE		
				LPOUCHAUD	2008/01/17	NSCC RCPT HSG 1.5 2CKT		
		4 PLACES ± --- ± ---		CHECKED BY	DATE	MOLEX INCORPORATED		
		3 PLACES ± --- ± ---		YIGEL	2008/01/17			
		2 PLACES ± 0.05 ± ---		APPROVED BY	DATE	DOCUMENT NO. SD-98817-001		
		1 PLACE ± 0.1 ± ---		LSTICKEIR	2008/01/25			
		ANGULAR ± 1°		MATERIAL NO.				
		DRAFT WHERE APPLICABLE MUST REMAIN WITHIN DIMENSIONS		SEE CHART SIZE A2 THIS DRAWING CONTAINS INFORMATION THAT IS PROPRIETARY TO MOLEX INCORPORATED AND SHOULD NOT BE USED WITHOUT WRITTEN PERMISSION				
				SHEET NO.		1 OF 2		



DATUM MONTH/YEAR



GREEN CODING (P/N 0988171025) IS SHOWN.

NSCC Rcpt Hsg 1.5 2CKT	0988171028	Grey	POLYESTER (PBT)	1.723 g			
	0988171025	Green					
	0988171021	Black					
	0988171020	White					
Description	Part-Number	Color	Raw Material	Weight effective			
FIRST RELEASE EC NO: G2007-0386 DRWN: LPOUCHAUD 2008/03/10 CHKD: YIGEL 2008/03/10 APPR: LSTICKEIR 2008/03/10	QUALITY SYMBOLS 	GENERAL TOLERANCES (UNLESS SPECIFIED)		DIMENSION STYLE	SCALE	DESIGN UNITS	THIRD ANGLE PROJECTION
		4 PLACES ± --- ± --- 3 PLACES ± --- ± --- 2 PLACES ± 0.05 ± --- 1 PLACE ± 0.1 ± --- ANGULAR ± 1 °	mm INCH ± --- ± --- ± 0.05 ± --- ± 0.1 ± ---	MM ONLY	3:1	METRIC	
REV A	DESCRIPTION	DRAWN BY LPOUCHAUD DATE 2008/01/17	TITLE		NSCC RCPT HSG 1.5 2CKT		
		CHECKED BY YIGEL DATE 2008/01/17	APPROVED BY LSTICKEIR DATE 2008/01/25				
DRAFT WHERE APPLICABLE MUST REMAIN WITHIN DIMENSIONS		SEE CHART		MOLEX INCORPORATED SD-98817-001		SHEET NO. 2 OF 2	
THIS DRAWING CONTAINS INFORMATION THAT IS PROPRIETARY TO MOLEX INCORPORATED AND SHOULD NOT BE USED WITHOUT WRITTEN PERMISSION							