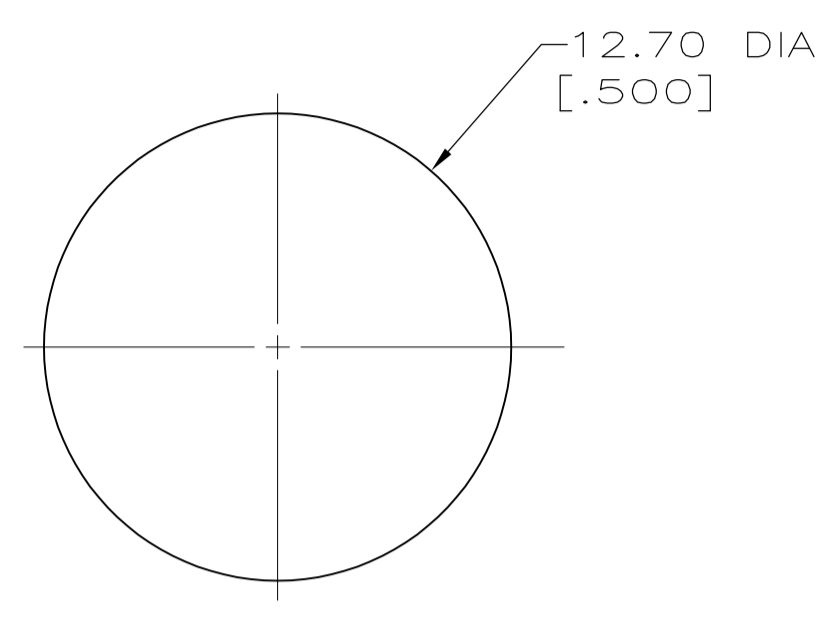
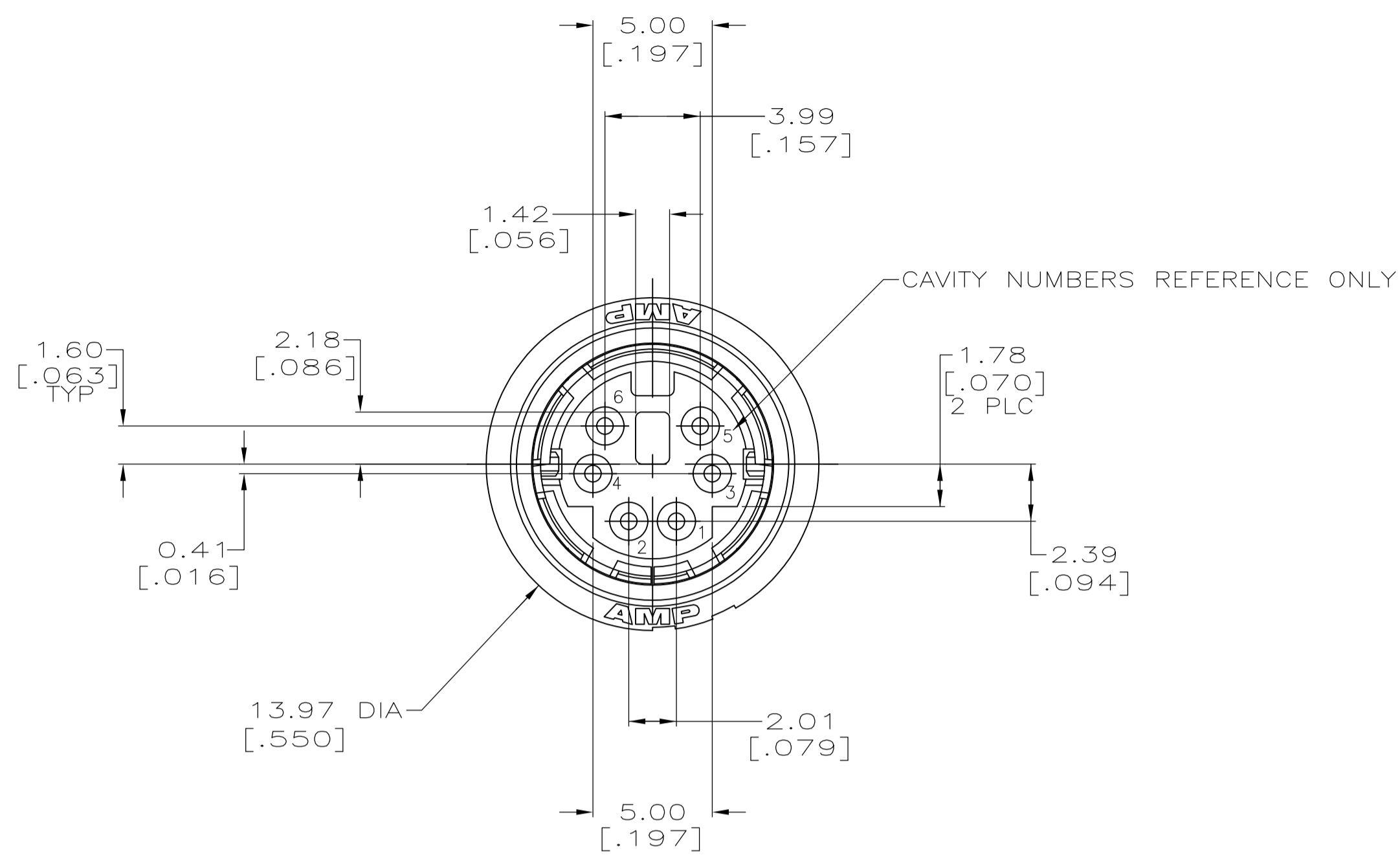
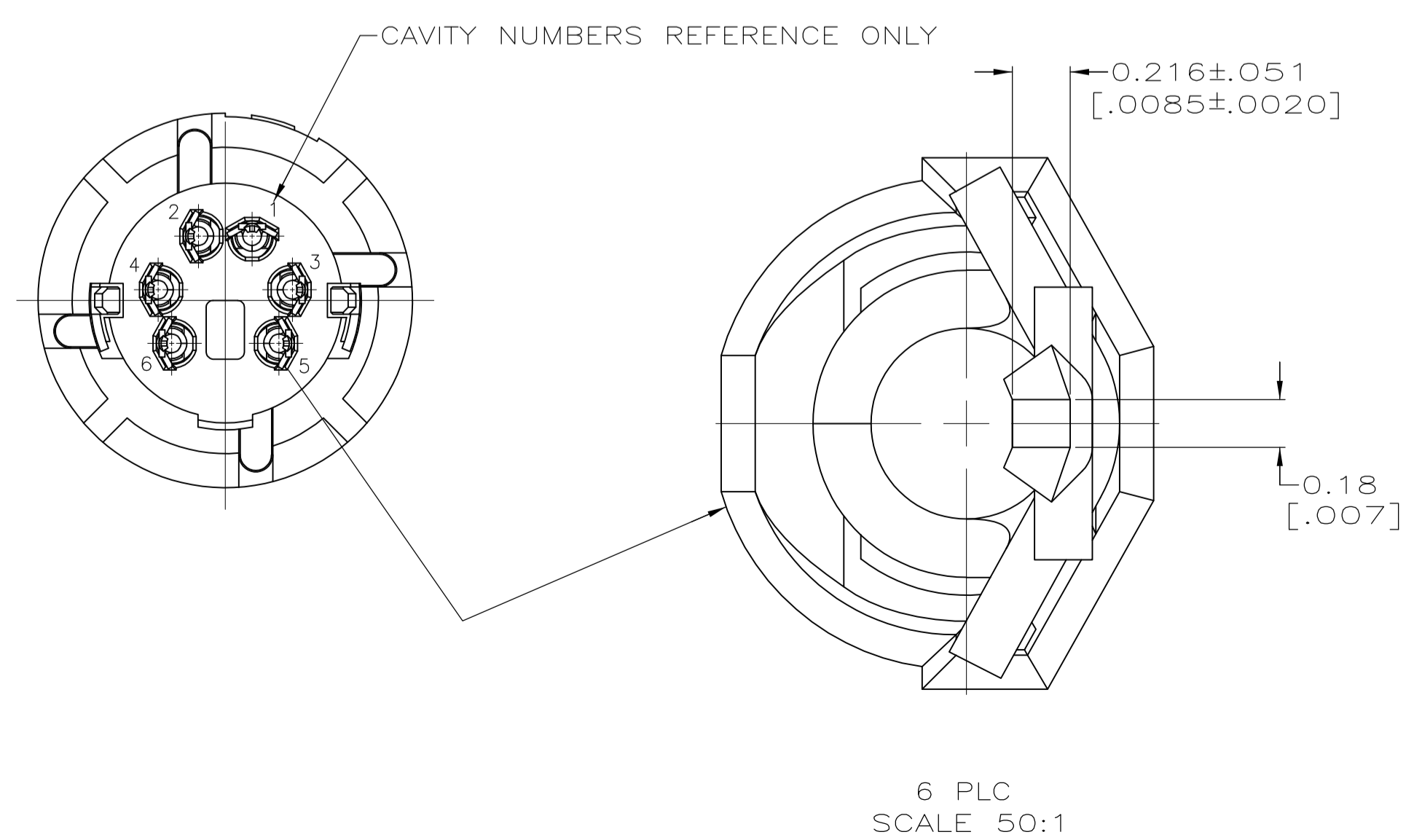
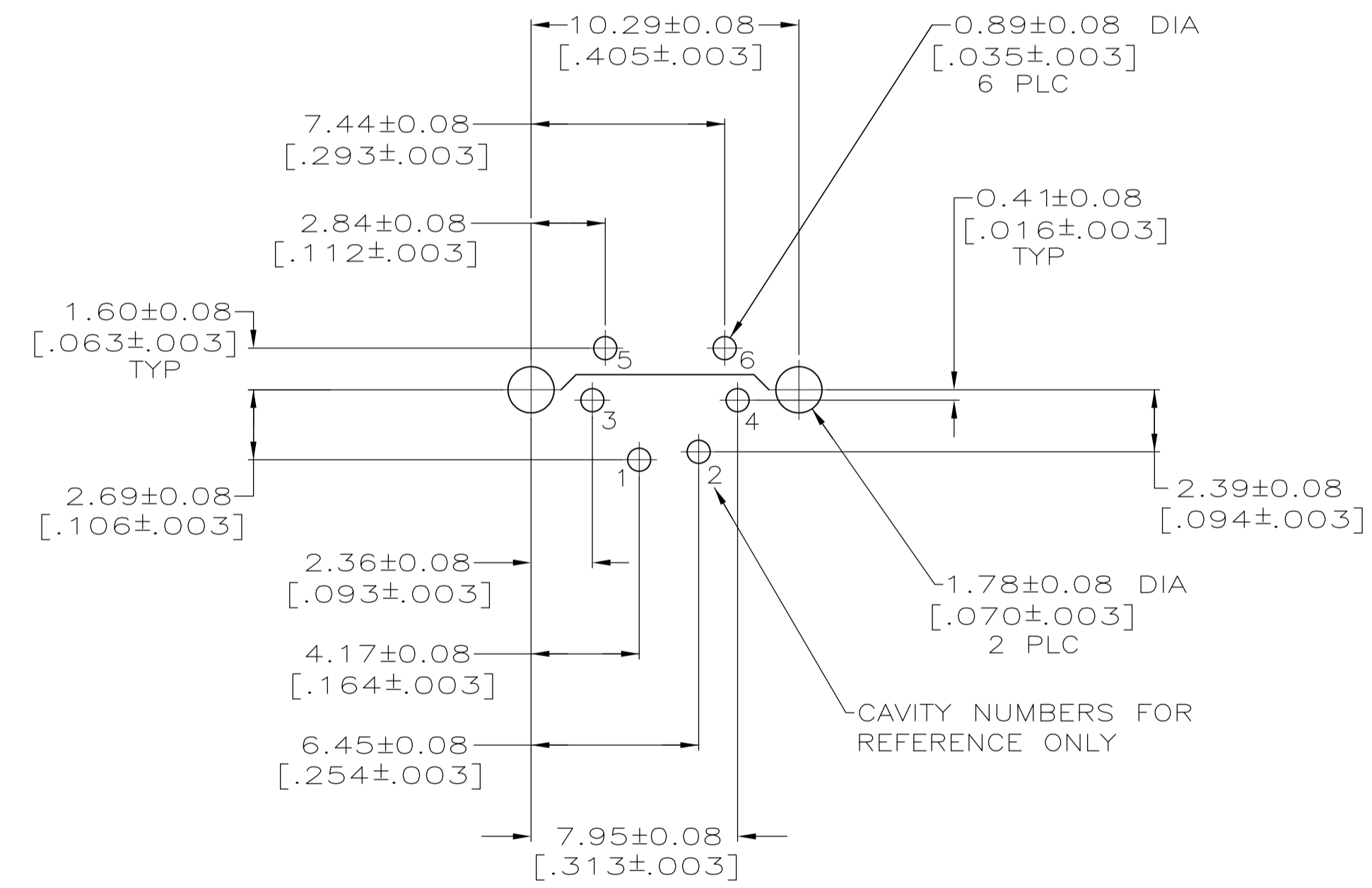
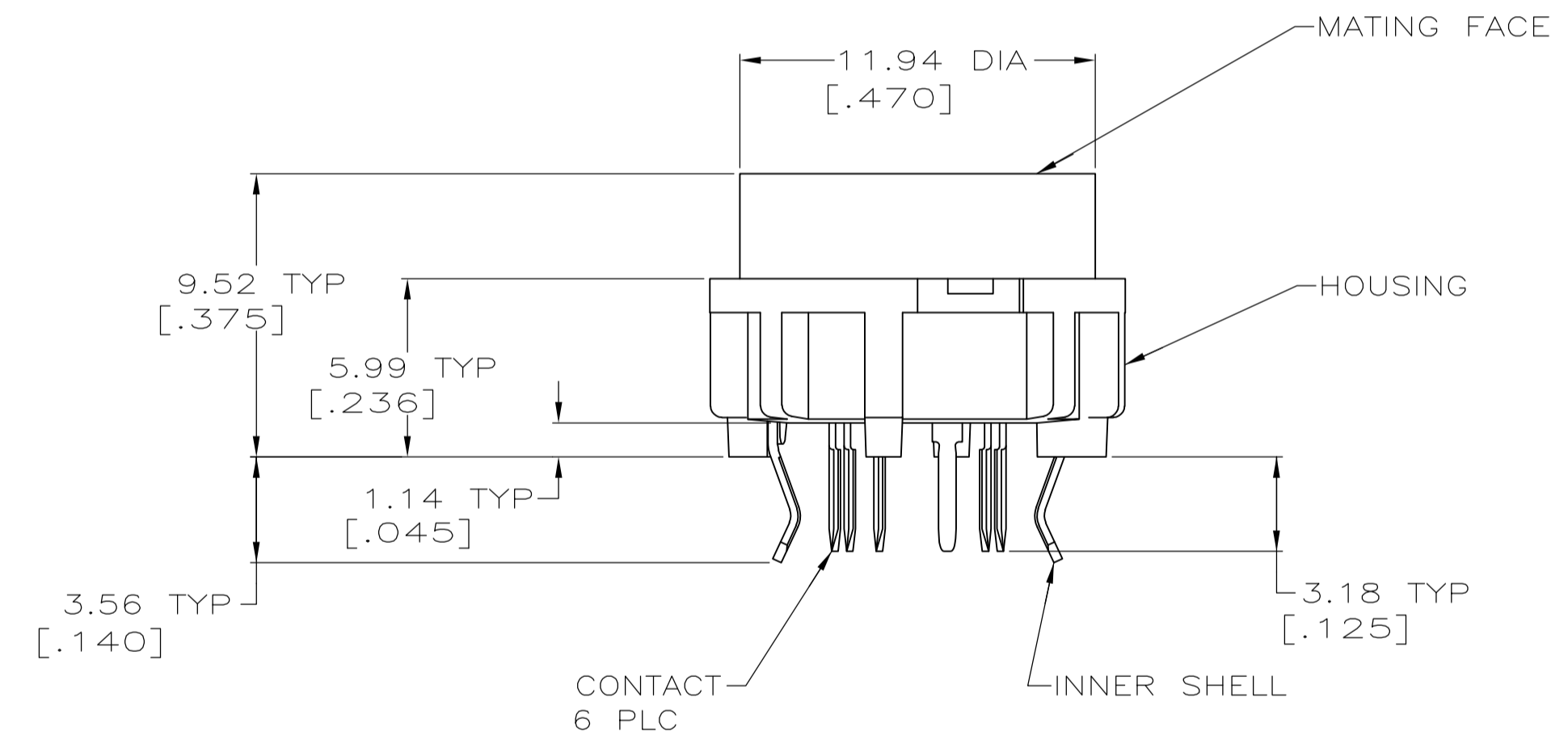


MOD		LOC		DIST		REVISIONS				
1	2	3	4	5	6	ZONE	LTR	DESCRIPTION	DATE	APPD
18	GP	00					A	REV PER EC 0513-0177-03	5-03	CR
							A1	REVISED PER ECO-09-023313	13OCT09	AEG



- ① SHELL: BRASS; CONTACTS: PHOSPHOR BRONZE; HOUSING: POLYESTER, UL 94V-0 RATED, BLACK.
- ② 0.76 μm [.000030] MIN GOLD ON MATING END FOR A LENGTH OF 1.37 [.054] MIN ON INSIDE, 2.54 μm [.000100] MIN TIN-LEAD FOR A LENGTH OF 3.30 [.130] MIN FROM OPPOSITE END, ALL OVER 1.27 μm [.000050] MIN NICKEL.
- ③ 0.38 μm [.000015] MIN GOLD ON MATING END FOR A LENGTH OF 1.37 [.054] MIN ON INSIDE, 2.54 μm [.000100] MIN TIN-LEAD FOR A LENGTH OF 3.30 [.130] MIN FROM OPPOSITE END, ALL OVER 1.27 μm [.000050] MIN NICKEL.
- ④ 2.54 μm [.000100] MIN TIN-LEAD OVER 1.27 μm [.000050] MIN NICKEL.
- ⑤ GOLD PLATING PER MIL-G-45204, TIN PLATING PER MIL-T-10727, NICKEL PLATING PER QQ-N-290.
- ⑥ RECEPTACLE ASSEMBLY MATES WITH 6 PIN, 8.99±0.10 [.354±.004] DIAMETER PLUG.
- ⑦ 2.54 μm [.000100] MIN TIN OVER 1.27 μm [.000050] MIN NICKEL.
- ⑧ OBSOLETE PARTS: OBSOLETE CIS STREAMLINING PER D.RENAUD/D.SINISI



⑧ OBSOLETE	① ② ③ ④ ⑤	② ③ ④ ⑤	750327-3
	④ ⑤ ⑥	③ ④ ⑤	750327-2
	④ ⑤ ⑥	③ ④ ⑤	750327-1
	INNER SHELL FINISH	CONTACT FINISH	PART NO

DO NOT SCALE PRINT. UNLESS SPECIFIED DIMENSIONS IN mm [INCHES]	DR 8-6-90 R.SHIREY	AMP AMP Incorporated Harrisburg, PA 17105-3608	
TOLERANCES - ON :	CHK -	NAME	
2 PLC DEC ± 0.13 [.005]	APPD -	RECEPTACLE ASSEMBLY, 6 POSN, LOW FLANGE, UNSHIELDED, VERTICAL, MINIATURE CIRCULAR DIN	
3 PLC DEC ± -	APPD -	SIZE	
ANGLES ± -	APPD -	D	
MATERIAL	PRODUCT SPEC	CAGE CODE	DRAWING NO
①	-	00779	750327
FINISH	APPLICATION SPEC	SCALE	SHEET
SEE TABLE	-	5:1	1 OF 1
WEIGHT	-		



# Mouser Electronics

Authorized Distributor

Click to View Pricing, Inventory, Delivery & Lifecycle Information:

[TE Connectivity:](#)

[750327-1](#)