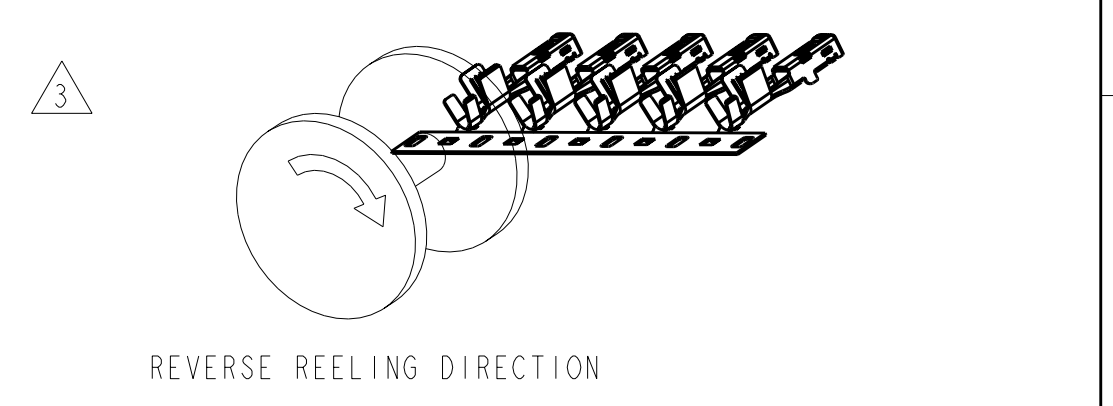


| LOC | DIST | REV | DATE      | BY | CHK | APPV |
|-----|------|-----|-----------|----|-----|------|
| GE  | 00   | E1  | 26APR2011 | RK | HMR |      |

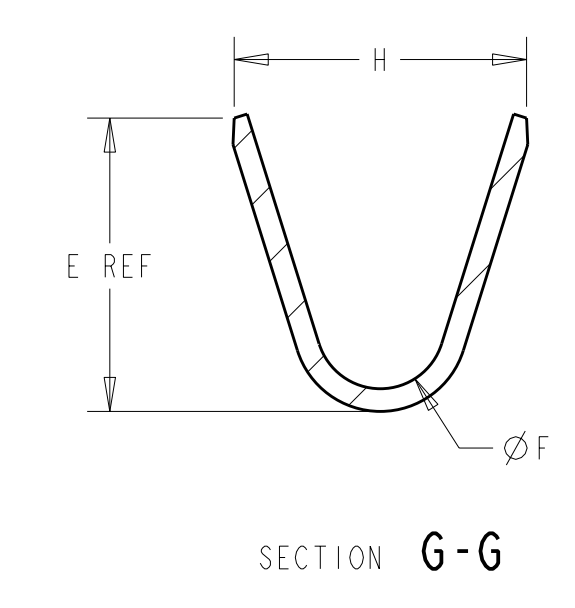
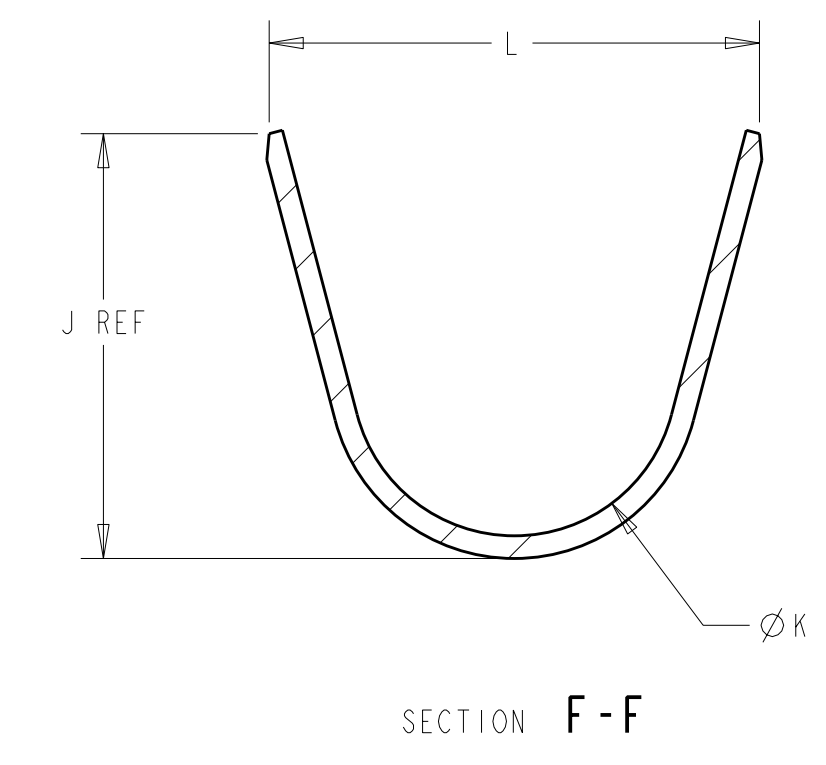
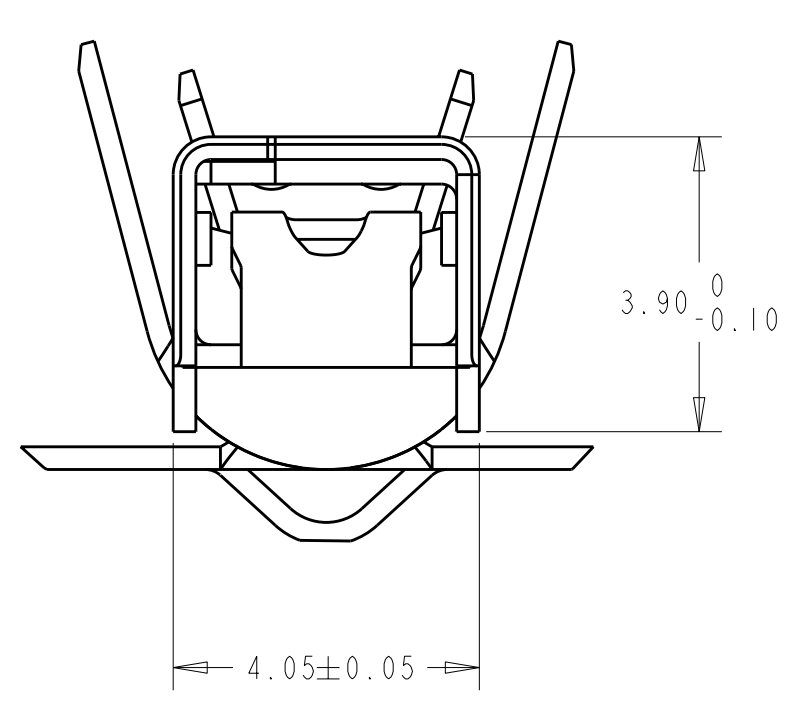
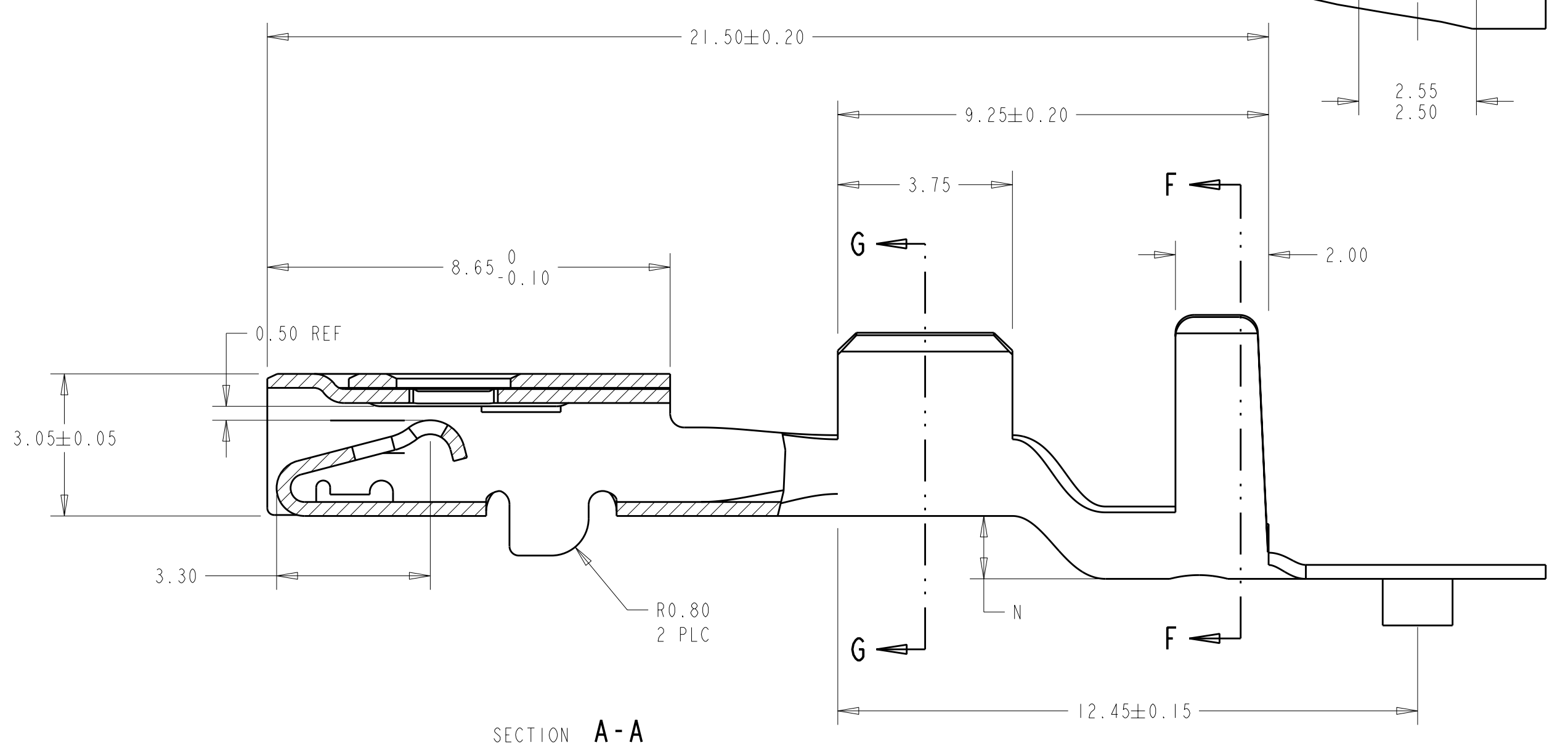
REVISIONS

△ MATERIAL: 0.30 THICK COPPER ALLOY, PREPLATED WITH 0.0008 MINIMUM THICK REFLOW TIN OR BRIGHT TIN (ELV COMPLIANT).

ALTERNATE MATERIAL: 0.30 THICK COPPER ALLOY, PREPLATED WITH 0.0008 MINIMUM THICK BRIGHT TIN (ELV COMPLIANT).



4. QUALIFICATION OF THE CRIMP APPLICATION TOOLING SHALL BE CONTROLLED BY THE REQUIREMENTS ESTABLISHED UNDER USCAR 21.
5. LOOSE END SPLICING TO BE USED.



| REELING | N    | L    | ØK   | J    | H    | ØF   | E      | WIRE SIZE | PART NO.    |
|---------|------|------|------|------|------|------|--------|-----------|-------------|
| △       |      |      |      |      |      |      |        | 12 AWG    | I-1326032-2 |
|         |      |      |      |      |      |      |        | 14 AWG    | I-1326032-1 |
|         |      |      |      |      |      |      |        | 16 AWG    | I-1326032-0 |
|         |      |      |      |      |      |      |        | 18 AWG    | 1326032-9   |
| △       |      |      |      |      |      |      |        | 20 AWG    | 1326032-8   |
|         |      |      |      |      |      |      |        | 22 AWG    | 1326032-7   |
|         | 1.35 | 6.8  | 4.30 | 6.09 | 4.7  | 2.70 | 5.25   | 12 AWG    | 1326032-6   |
|         | 1.35 | 6.5  | 4.30 | 5.62 | 3.9  | 1.70 | 3.88   | 14 AWG    | 1326032-5   |
|         | 1.10 | 5.6  | 3.80 | 4.54 | 3.9  | 1.70 | 3.88   | 16 AWG    | 1326032-4   |
|         | 1.10 | 5.6  | 3.80 | 4.54 | 3.3  | 1.30 | 2.76   | 18 AWG    | 1326032-3   |
| 0.90    | 5.0  | 3.40 | 4.11 | 3.3  | 1.30 | 2.76 | 20 AWG | 1326032-2 |             |
| 0.90    | 5.0  | 3.40 | 4.11 | 2.5  | 0.90 | 2.11 | 22 AWG | 1326032-1 |             |

THIS DRAWING IS A CONTROLLED DOCUMENT.

AWN: D. STRAUSSER 28APR99  
 CHK: D. BROWN 28APR99  
 APPV: D. BROWN 28APR99

TE Connectivity  
**2.8mm RECEPTACLE, SEALED**

SAE/USCAR-2 8/97  
 APPLICATION SPEC

114-13013  
 WEIGHT: -  
 CUSTOMER DRAWING

SCALE: 10:1  
 SHEET: 1 OF 1  
 REV: E1

# Mouser Electronics

Authorized Distributor

Click to View Pricing, Inventory, Delivery & Lifecycle Information:

[TE Connectivity:](#)

[1326032-3](#)