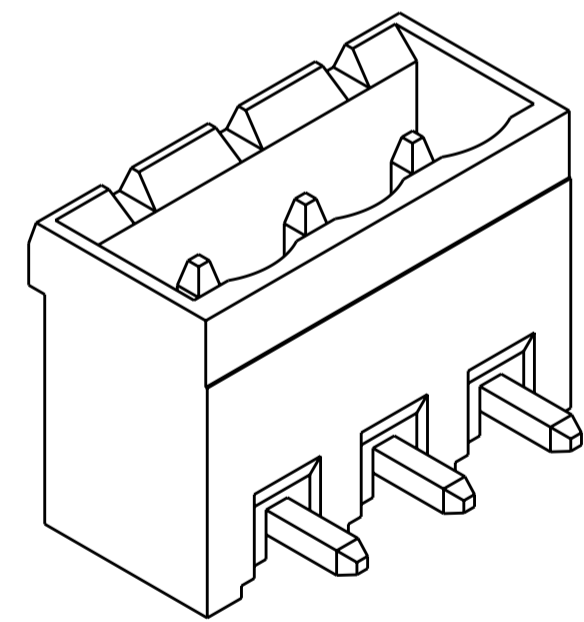
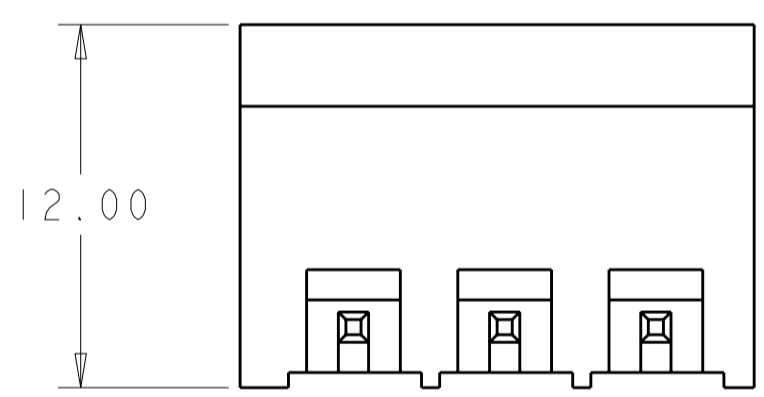
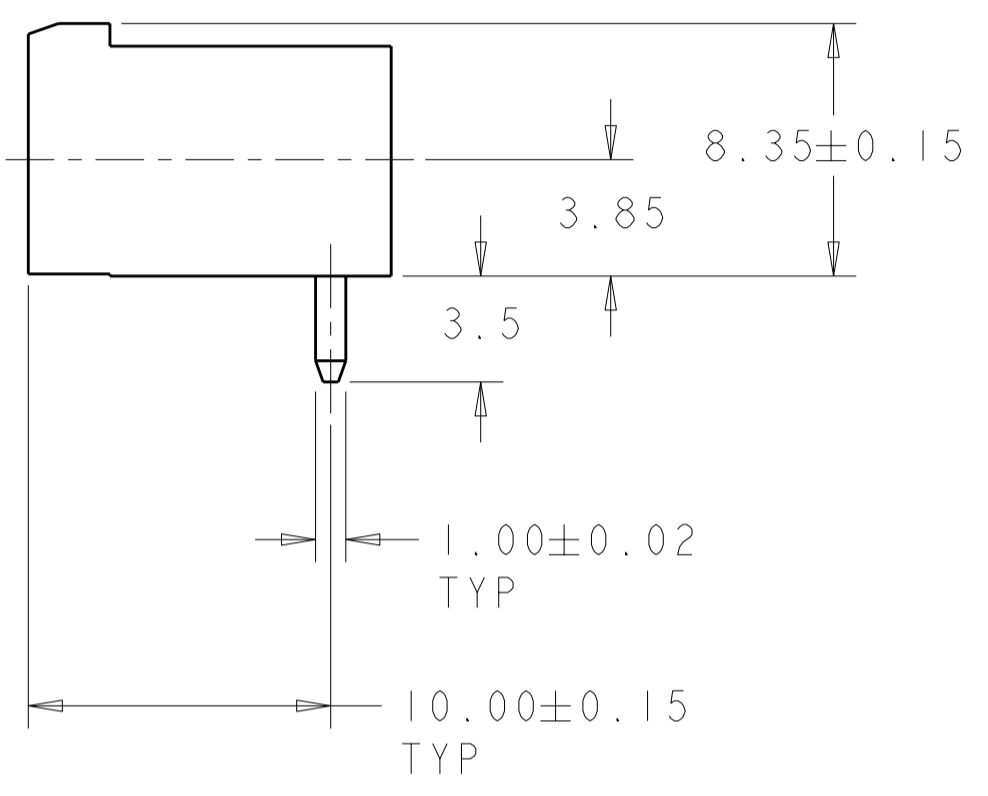
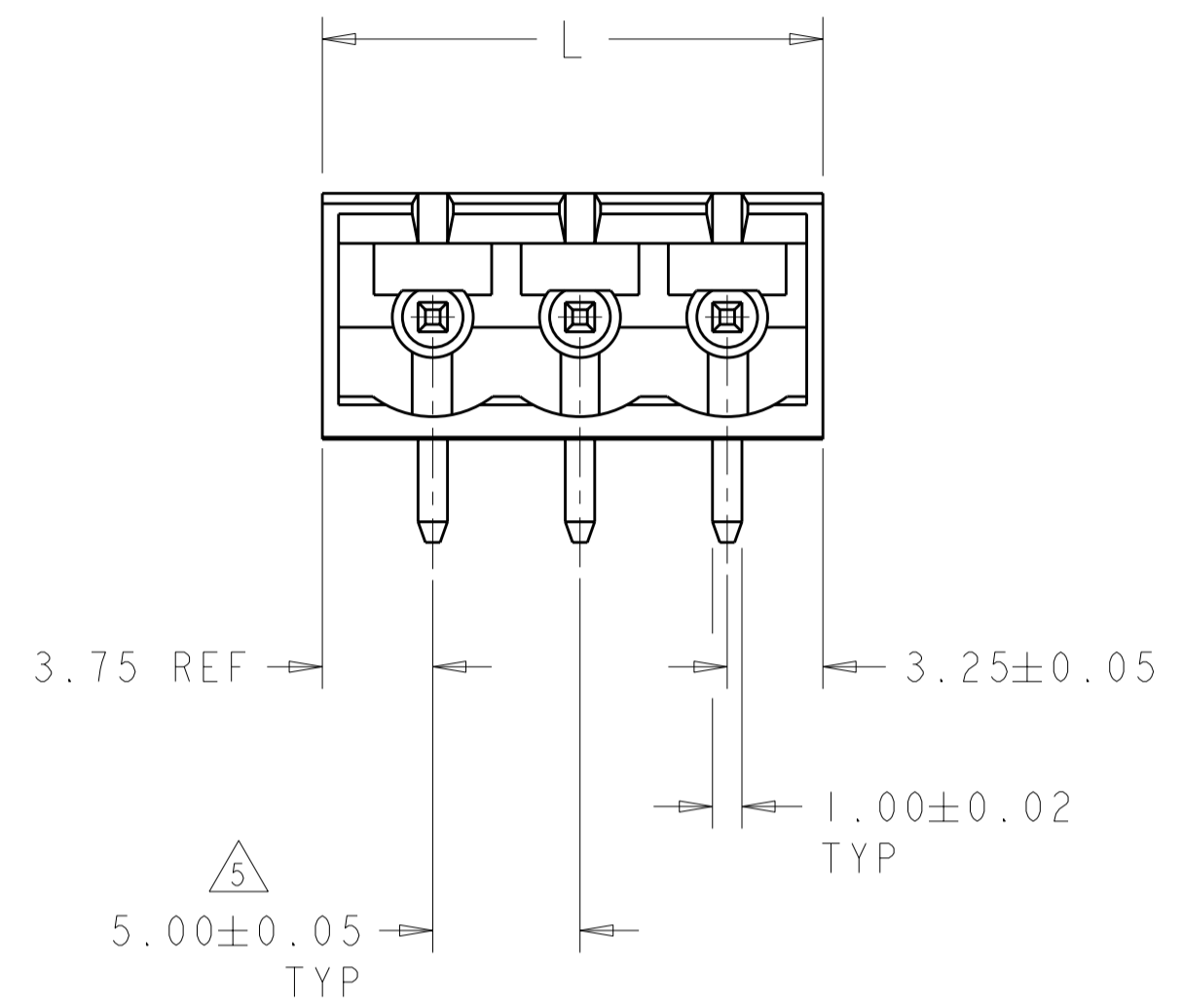
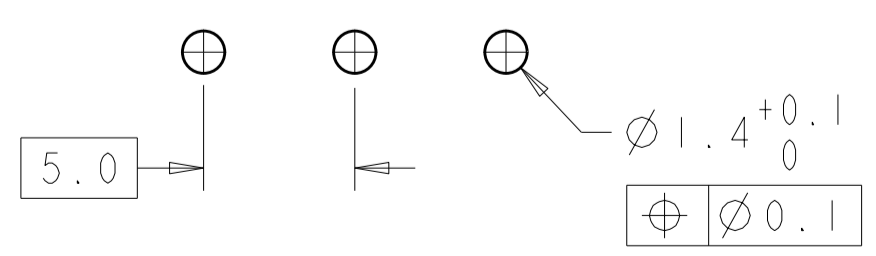


THIS DRAWING IS UNPUBLISHED. RELEASED FOR PUBLICATION 20
 © COPYRIGHT 20 BY - ALL RIGHTS RESERVED.

REVISIONS					
P	LTR	DESCRIPTION	DATE	DWN	APVD
C4		REVISED PER ECO-12-007711	25APR2012	KH	MS



796644-3 AS SHOWN



RECOMMENDED PC BOARD LAYOUT

TIN	-	DETAIL N	37.0	7	3-796644-7
GOLD FLASH	-	KEY POSN 1,4,7	37.0	7	3-796644-6
TIN	6	DETAIL M	27.0	5	3-796644-5
TIN	6	DETAIL L	52.0	10	3-796644-0
TIN	-	-	127.0	25	2-796644-5
TIN	-	-	122.0	24	2-796644-4
TIN	-	-	117.0	23	2-796644-3
TIN	-	-	112.0	22	2-796644-2
TIN	-	-	107.0	21	2-796644-1
TIN	-	-	102.0	20	2-796644-0
TIN	-	-	97.0	19	1-796644-9
TIN	-	-	92.0	18	1-796644-8
TIN	-	-	87.0	17	1-796644-7
TIN	-	-	82.0	16	1-796644-6
TIN	-	-	77.0	15	1-796644-5
TIN	-	-	72.0	14	1-796644-4
TIN	-	-	67.0	13	1-796644-3
TIN	-	-	62.0	12	1-796644-2
TIN	-	-	57.0	11	1-796644-1
TIN	-	-	52.0	10	1-796644-0
TIN	-	-	47.0	9	796644-9
TIN	-	-	42.0	8	796644-8
TIN	-	-	37.0	7	796644-7
TIN	-	-	32.0	6	796644-6
TIN	-	-	27.0	5	796644-5
TIN	-	-	22.0	4	796644-4
TIN	-	-	17.0	3	796644-3
TIN	-	-	12.0	2	796644-2
TERMINAL PLATING	MARKING	SPECIAL	DIM L	NO OF POSN	PART NUMBER

THIS DRAWING IS A CONTROLLED DOCUMENT.

DWN: S. WELDON 19OCT2000
 CHK: D. BIEVENOUR 19OCT2000
 APVD: D. BIEVENOUR 19OCT2000

STE TE Connectivity

NAME: TERMI-BLOK HEADER ASSEMBLY, 90 DEGREE, CLOSED ENDS, 5.00mm PITCH

SIZE: A2 CAGE CODE: 00779 DRAWING NO: 796644 RESTRICTED TO: -

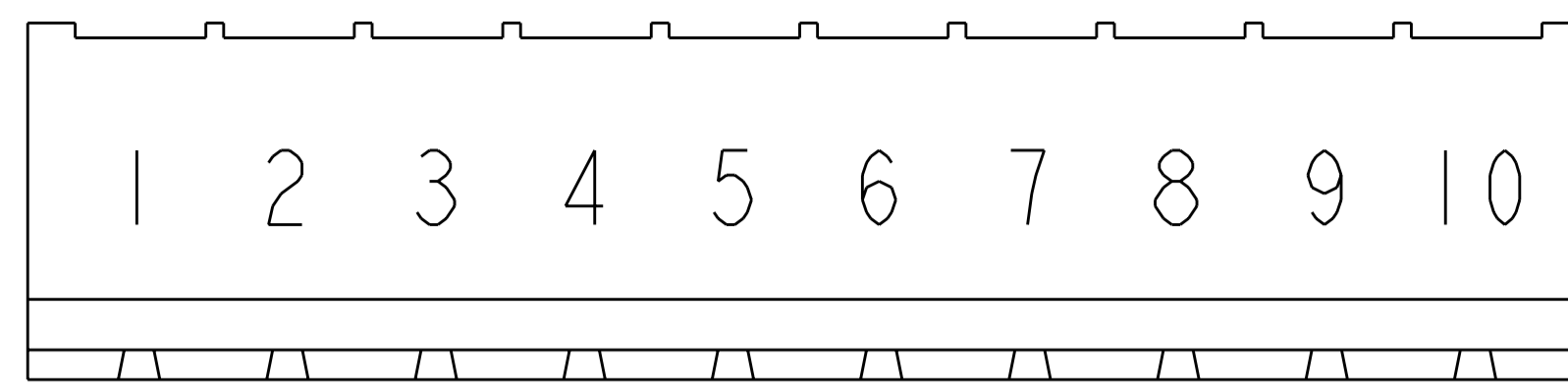
MATERIAL: - TOLERANCES UNLESS OTHERWISE SPECIFIED: 0 PLC ±0.1, 1 PLC ±0.1, 2 PLC ±0.25, 3 PLC ±, 4 PLC ±, ANGLES ±, FINISH ±

WEIGHT: -

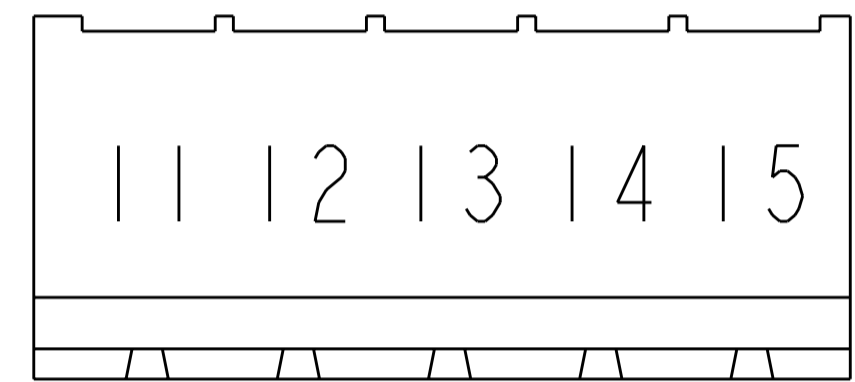
CUSTOMER DRAWING SCALE: 4:1 SHEET 1 OF 2 REV: C4

THIS DRAWING IS UNPUBLISHED. RELEASED FOR PUBLICATION 20
 © COPYRIGHT 20 BY - ALL RIGHTS RESERVED.

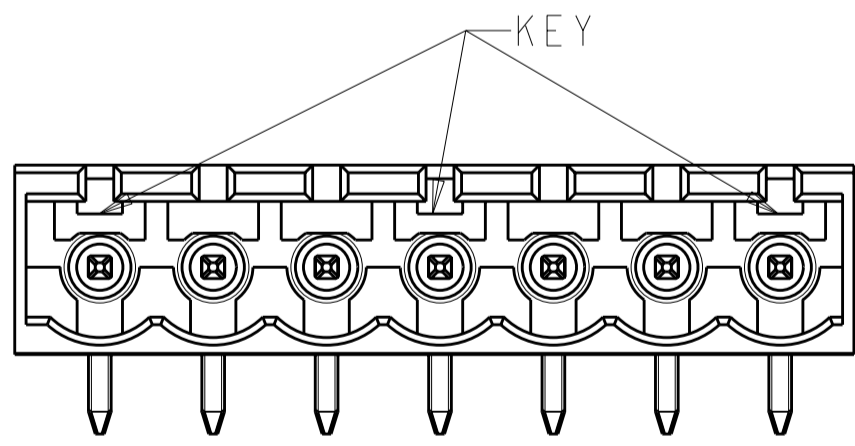
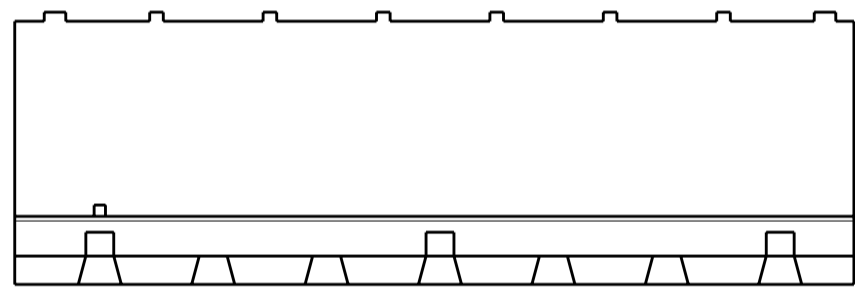
LOC		DIST		REVISIONS			
P	LTR	DESCRIPTION	DATE	DWN	APVD		
-	-	SEE SHEET 1	-	-	-		



DETAIL L



DETAIL M



DETAIL N

- 1. MATERIALS AND FINISH:
 HOUSING: PA 6-6, UL 94-V0, COLOR: GREEN.
 TERMINAL: COPPER ALLOY, PLATING: SEE TABLE.
- 2. SUITABLE FOR 1,6-2, 4mm PC BOARD THICKNESS.
- 3. RECOGNIZED UNDER THE COMPONENT PROGRAM OF UNDERWRITERS LABORATORIES INC. FILE N° E60677.
- 4. IMQ CERTIFICATE WITH SURVEILLANCE IN CONFORMITY WITH IEC 998-1/998-2-1.)
- 5. NOT CUMULATIVE TOLERANCE
- 6. INK MARKED WHITE.
- 7. BUCHANAN LOGO TO APPEAR ON HOUSING, LOCATION OPTIONAL WHERE SPACE PERMITS.
- 8. PRELIMINARY - NOT FOR PRODUCTION.

THIS DRAWING IS A CONTROLLED DOCUMENT.		DWN S. WELDON	19OCT2000	STE TE Connectivity													
DIMENSIONS: mm		CHK D. BIEVENOUR	19OCT2000														
TOLERANCES UNLESS OTHERWISE SPECIFIED:		APVD D. BIEVENOUR	19OCT2000														
<table border="0"> <tr><td>0 PLC</td><td>±-</td></tr> <tr><td>1 PLC</td><td>±0.1</td></tr> <tr><td>2 PLC</td><td>±0.25</td></tr> <tr><td>3 PLC</td><td>±-</td></tr> <tr><td>4 PLC</td><td>±-</td></tr> <tr><td>ANGLES</td><td>±-</td></tr> <tr><td>FINISH</td><td>±-</td></tr> </table>		0 PLC	±-		1 PLC	±0.1	2 PLC	±0.25	3 PLC	±-	4 PLC	±-	ANGLES	±-	FINISH	±-	PRODUCT SPEC
0 PLC	±-																
1 PLC	±0.1																
2 PLC	±0.25																
3 PLC	±-																
4 PLC	±-																
ANGLES	±-																
FINISH	±-																
MATERIAL	-	APPLICATION SPEC	-	NAME TERMI-BLOK HEADER ASSEMBLY, 90 DEGREE, CLOSED ENDS, 5.00mm PITCH													
WEIGHT		-	-	SIZE A200779													
CUSTOMER DRAWING		SCALE 3:1		DRAWING NO C-796644													
RESTRICTED TO		SHEET 2 OF 2		REV C4													

Mouser Electronics

Authorized Distributor

Click to View Pricing, Inventory, Delivery & Lifecycle Information:

[TE Connectivity:](#)

[1-796644-5](#)