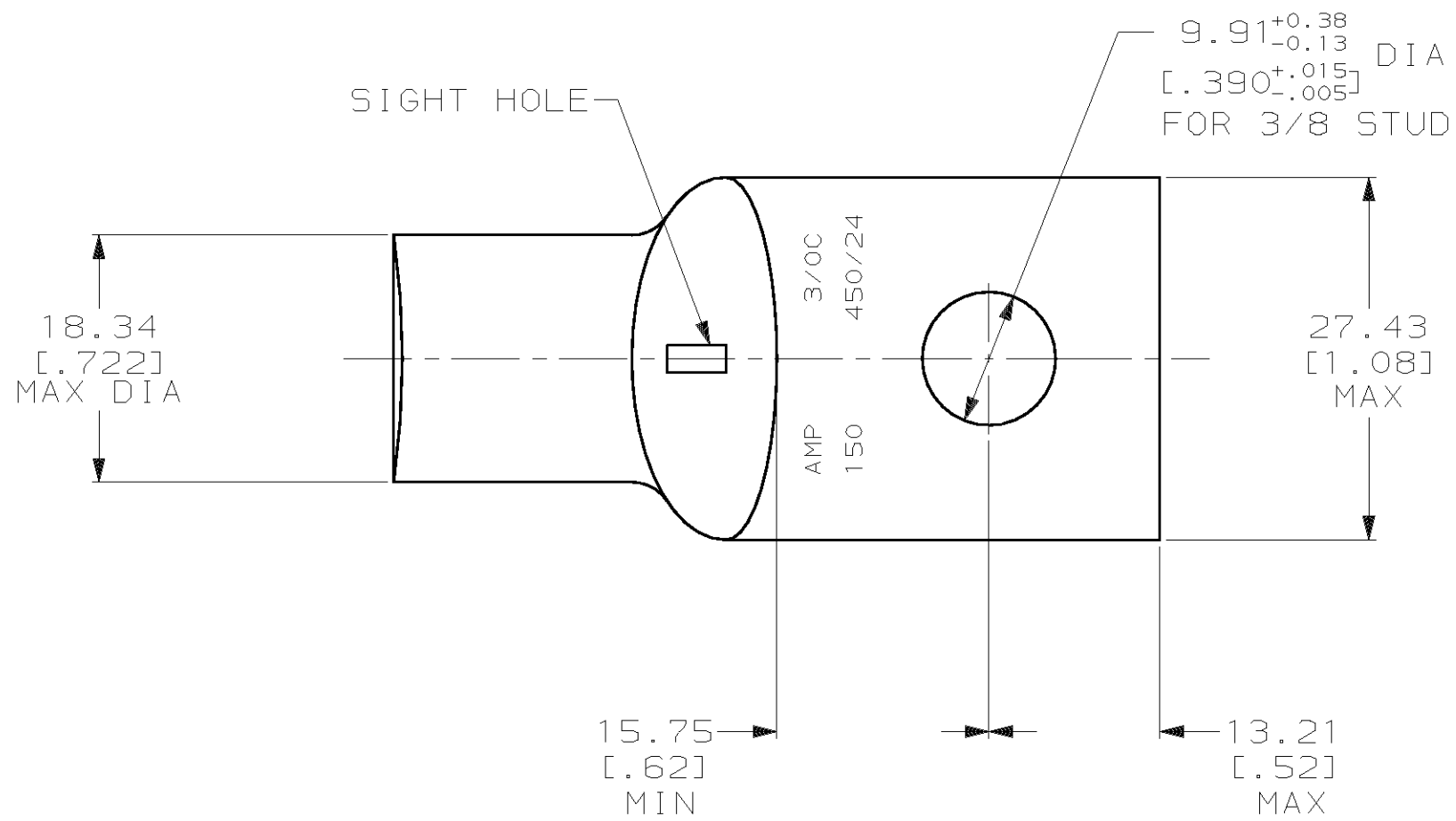
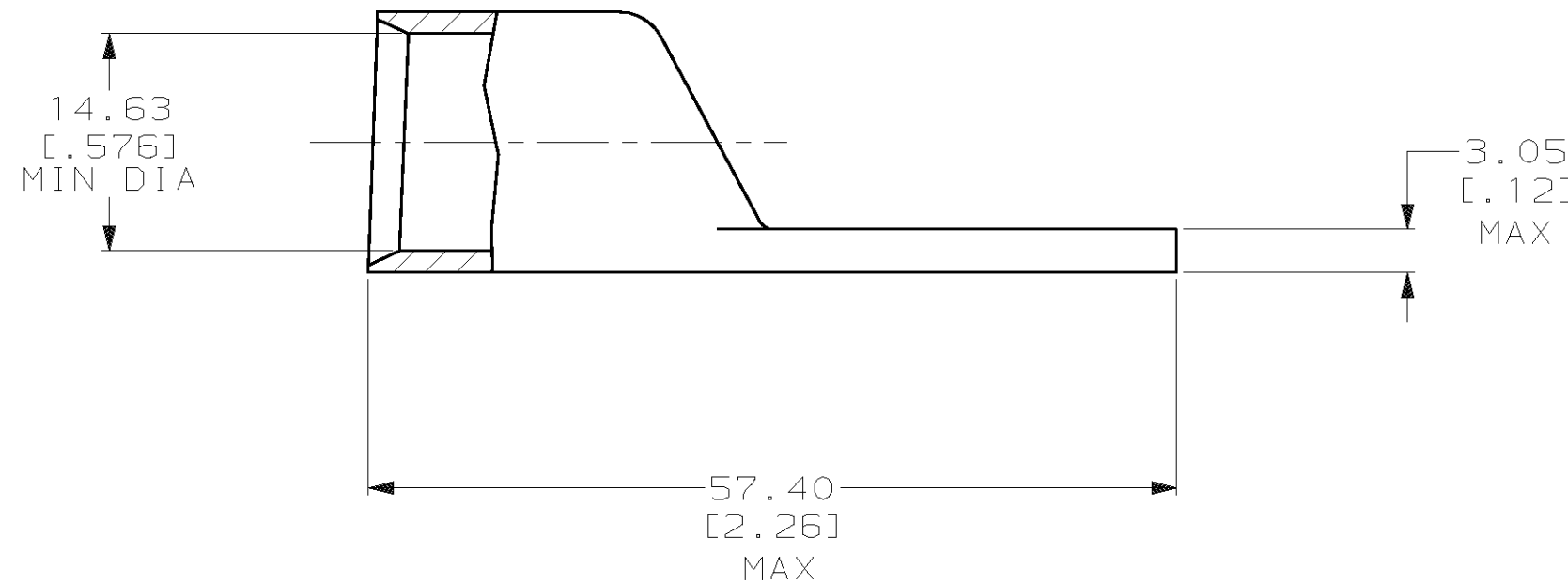


THIS DRAWING IS UNPUBLISHED. RELEASED FOR PUBLICATION, 19 .
 © COPYRIGHT 19 BY AMP INCORPORATED. ALL INTERNATIONAL RIGHTS RESERVED.

LOC		DIST		REVISIONS				DATE	APPD
ZONE	LTR	DESCRIPTION	DATE	APPD					
G	86	P	F	N	REV PER 0G3A-0561-01	070CT02	JR/MS		



1 CIRCULAR MIL AREA RANGE: 150,500-190,000 CM
 2 TIN PL 0.00381 [.000150] MIN THK PER MIL-T-10727



DO NOT SCALE PRINT. UNLESS SPECIFIED DIMENSIONS IN mm [INCHES] TOLERANCES ON : 2 PLC DEC ± 0.51 [.020] 3 PLC DEC ± - ANGLES ± -		DR 02/28/90 DK SCHRUM	AMP INCORPORATED Harrisburg, Pa. 17105	
MATERIAL ANNEALED COPPER ASTM B-75	CHK 18JAN95 MS FEHER	APPD 18JAN95 WJ VOCKROTH		
FINISH 2	APPLICATION SPEC -	APPD 18JAN95 TL SHUTTER	PRODUCT SPEC -	SIZE C
WEIGHT .075 LB		APPLICATION SPEC -	SCALE 2:1	CAGE CODE 00779
			DRAWING NO 325503	SHEET 1 OF 1

325503

325503

PART NO

Mouser Electronics

Authorized Distributor

Click to View Pricing, Inventory, Delivery & Lifecycle Information:

[TE Connectivity:](#)

[325503](#)