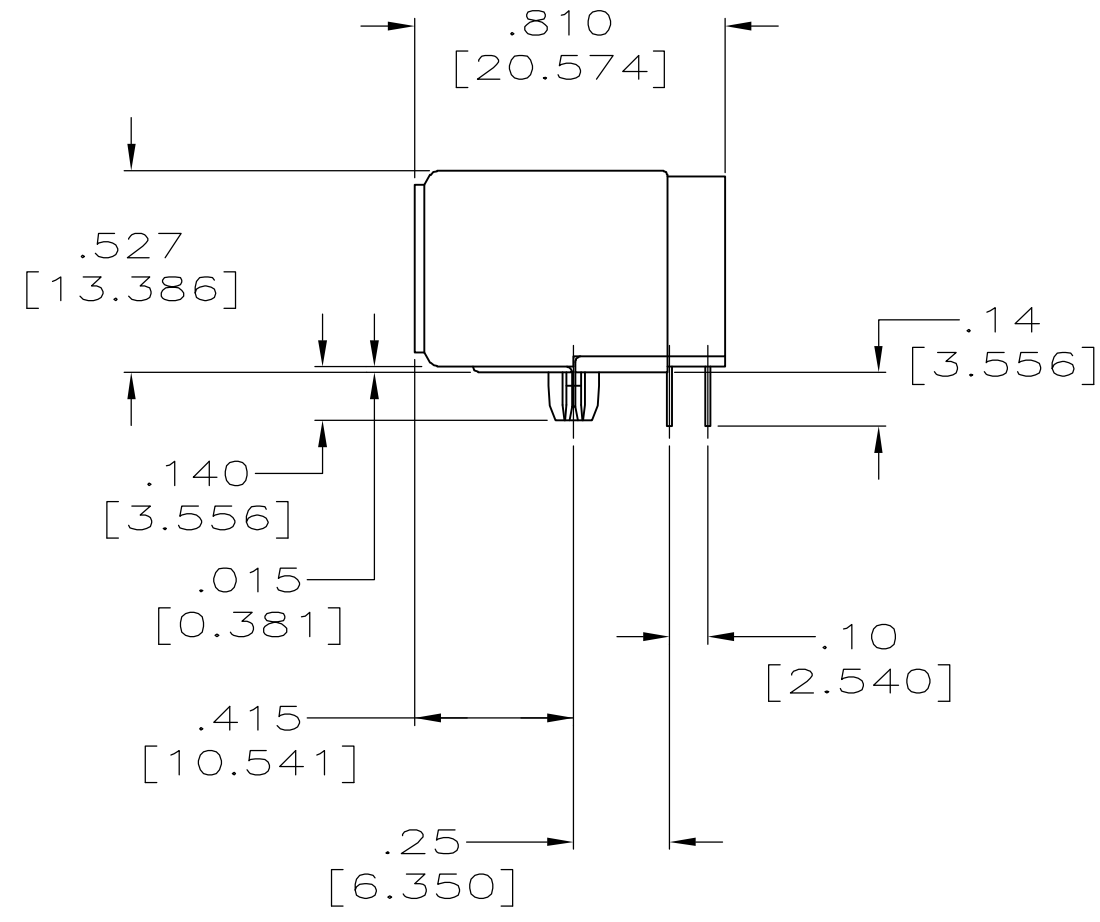
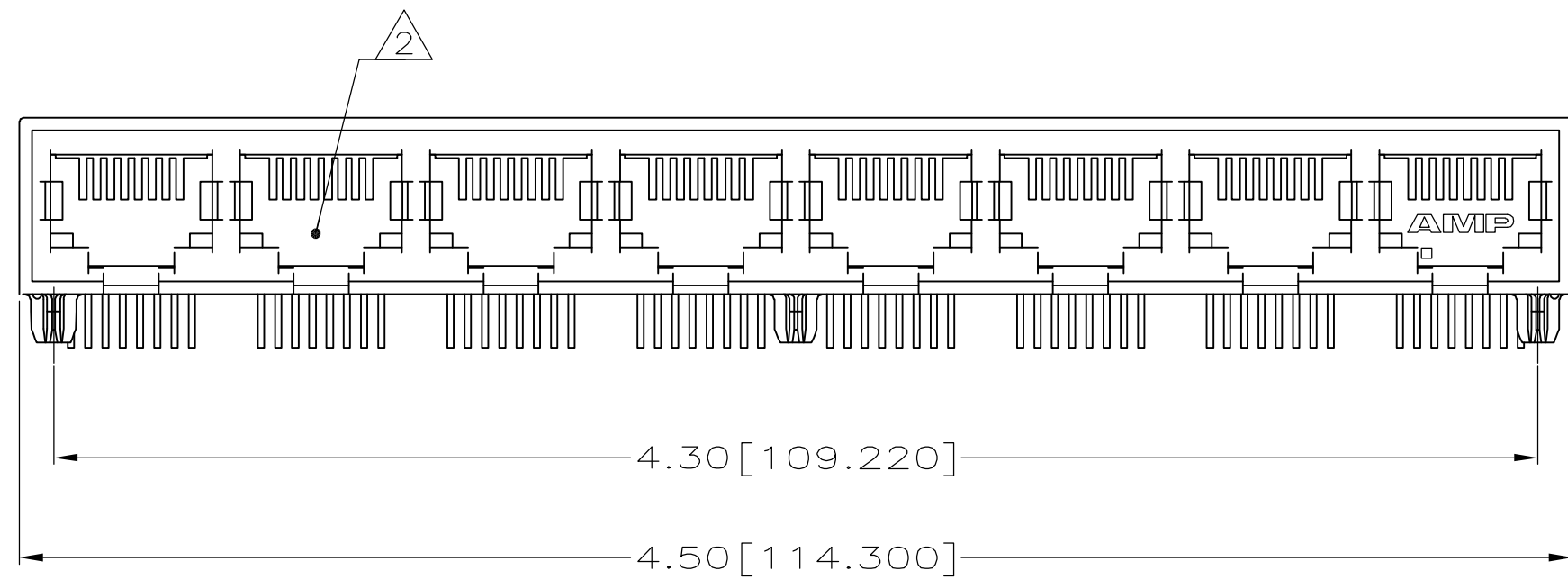
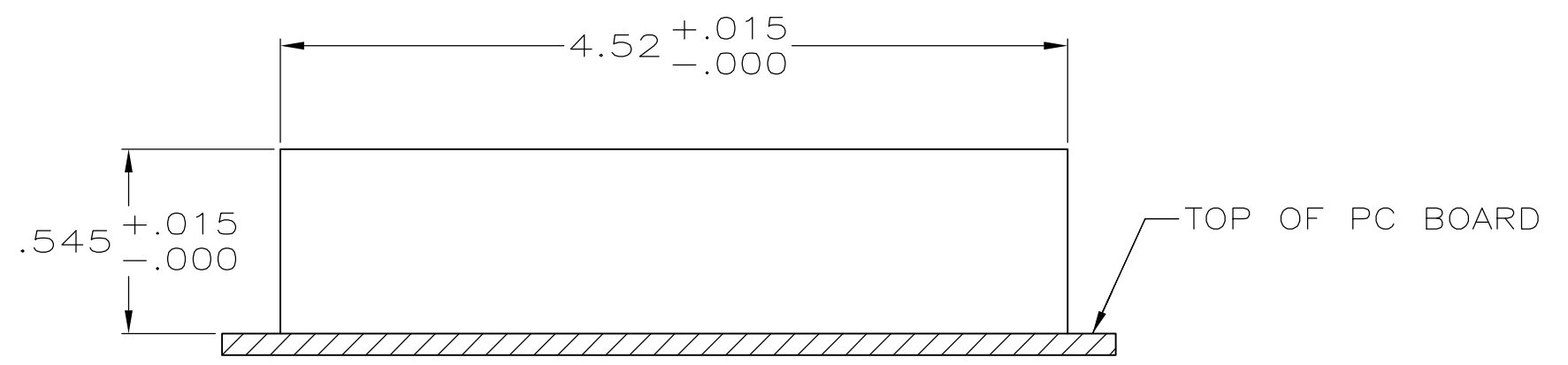
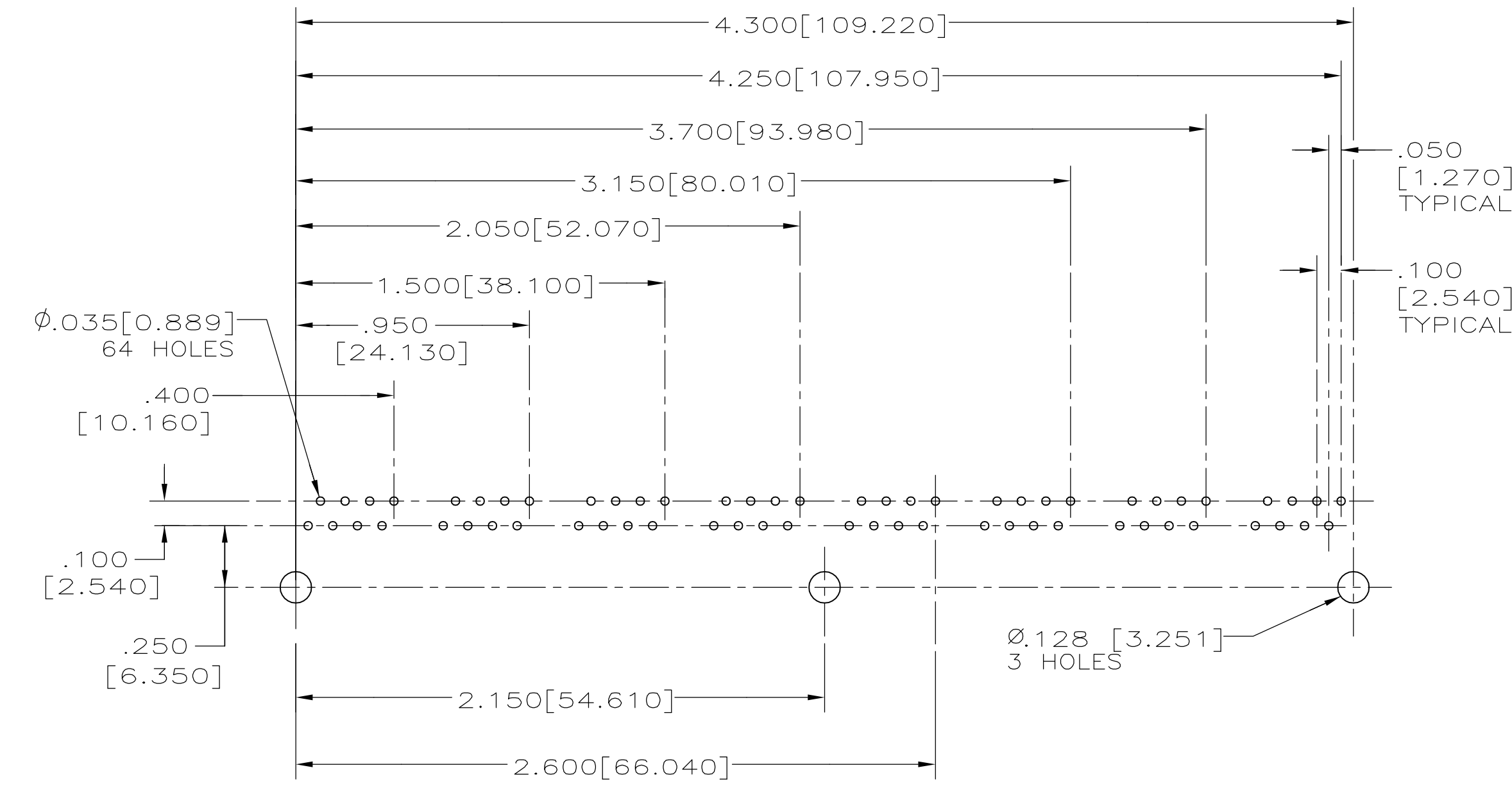


THIS DRAWING IS UNPUBLISHED. RELEASED FOR PUBLICATION  
 © COPYRIGHT BY TYCO ELECTRONICS CORPORATION. ALL RIGHTS RESERVED.

LOC	DIST	REVISIONS					
AA	22	P	LTR	DESCRIPTION	DATE	DWN	APVD
		A		REV PER EC 0S11-0201-04	15JUN2005	GA	SF



- 1. MATERIAL: HOUSING—HTN NYLON, BLACK, IR REFLOW PROCESSING COMPATIBLE, UL 94V-0. TERMINALS—.013[0.33] THICK PHOS BRONZE PLATED WITH .000050 [1.27μm] THICK HARD GOLD IN LOCALIZED AREA AND .000150 [3.18μm] THICK MATTE TIN IN SOLDER AREA OVER .000050 [1.27μm] THICK NICKEL UNDERPLATE.
- 2. JACK CAVITY CONFORMS TO FCC RULES AND REGULATIONS, PART 68 SUBPART F.
- 3. ALL DIMENSIONS SHOWN ARE NOMINAL UNLESS OTHERWISE SPECIFIED.
- 4. ALL DIMENSIONS SHOWN IN BRACKETS [ ] ARE IN MILLIMETERS.



SUGGESTED PANEL CUTOUT  
NOT TO SCALE

SUGGESTED PC BOARD LAYOUT  
COMPONENT SIDE  
SEE APPLICATION SPECIFICATION

5557566-1  
PART NO.

THIS DRAWING IS A CONTROLLED DOCUMENT.		DWN G. ATTADIA - DOCK5 15JUN2005	tyco Electronics		Tyco Electronics Corporation Harrisburg, PA 17105-3608	
DIMENSIONS: inches [mm]		CHK J. WESTMAN 15JUN2005	NAME S. FLICKINGER		MODULAR JACK ASSEMBLY, EIGHT PORT, 8 POSITION, RIGHT ANGLE	
TOLERANCES UNLESS OTHERWISE SPECIFIED:		APVD S. FLICKINGER 15JUN2005	PRODUCT SPEC 108-1392		RESTRICTED TO	
0 PLC ± -		APPLICATION SPEC 114-2048	SIZE A2	CAGE CODE 00779	DRAWING NO C=5557566	REV A
1 PLC ± -		WEIGHT -	SCALE 2:1		SHEET 1 OF 1	
2 PLC ± .01[0.254]		CUSTOMER DRAWING				
3 PLC ± .005[0.127]						
4 PLC ± -						
ANGLES ± -						
FINISH						

# Mouser Electronics

Authorized Distributor

Click to View Pricing, Inventory, Delivery & Lifecycle Information:

[TE Connectivity:](#)

[5557566-1](#)