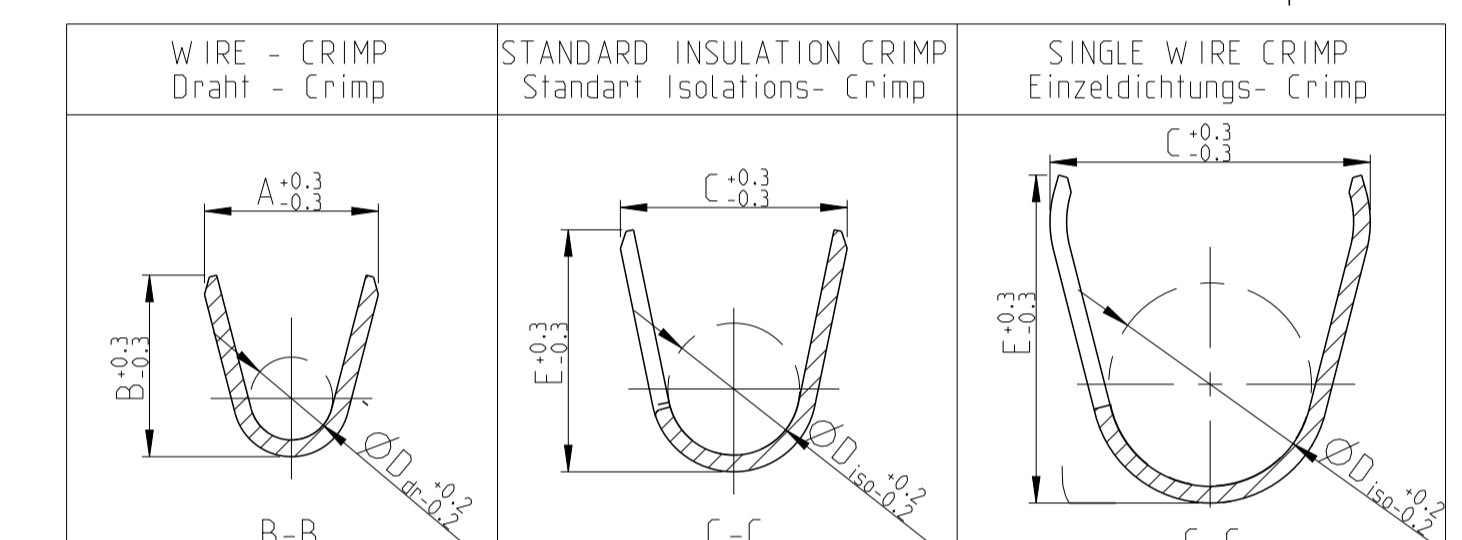
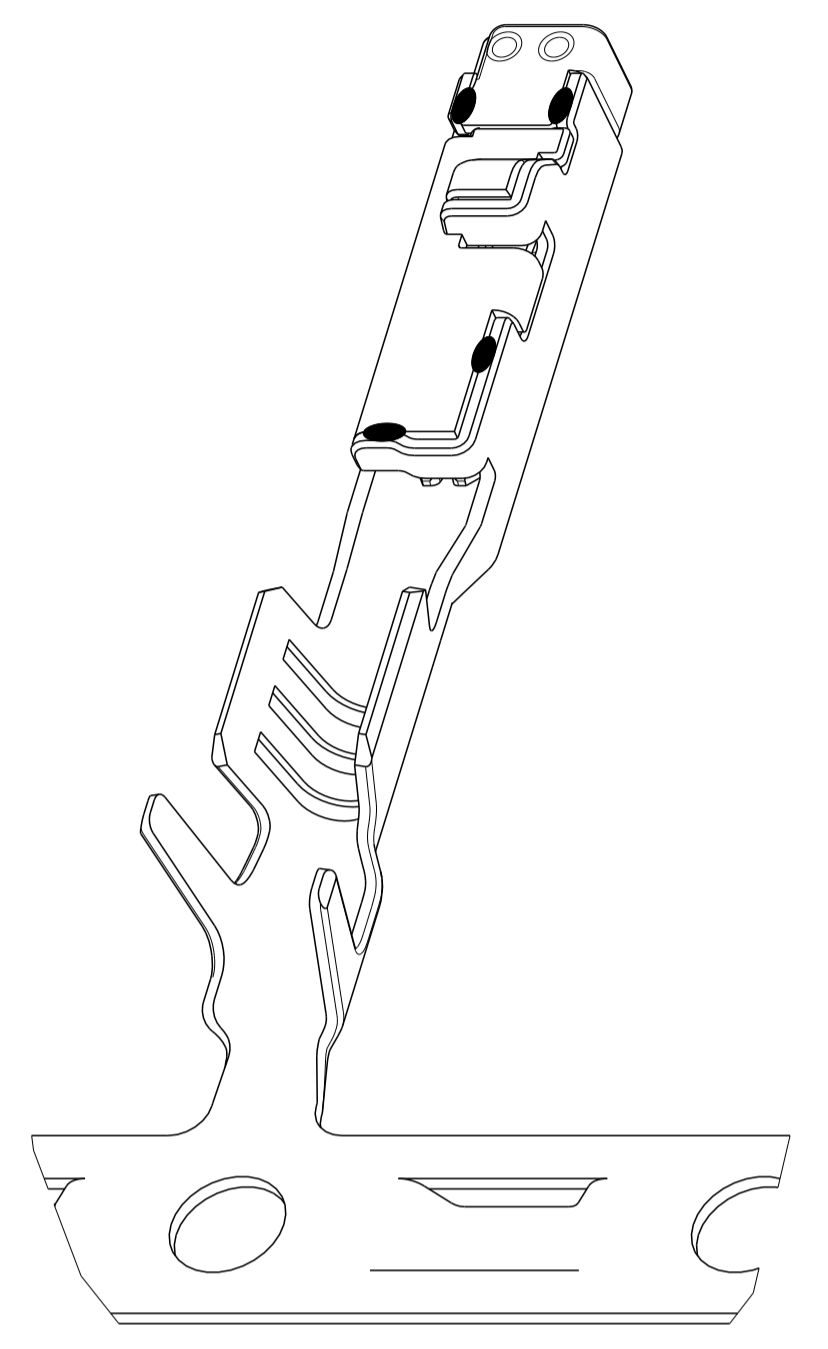
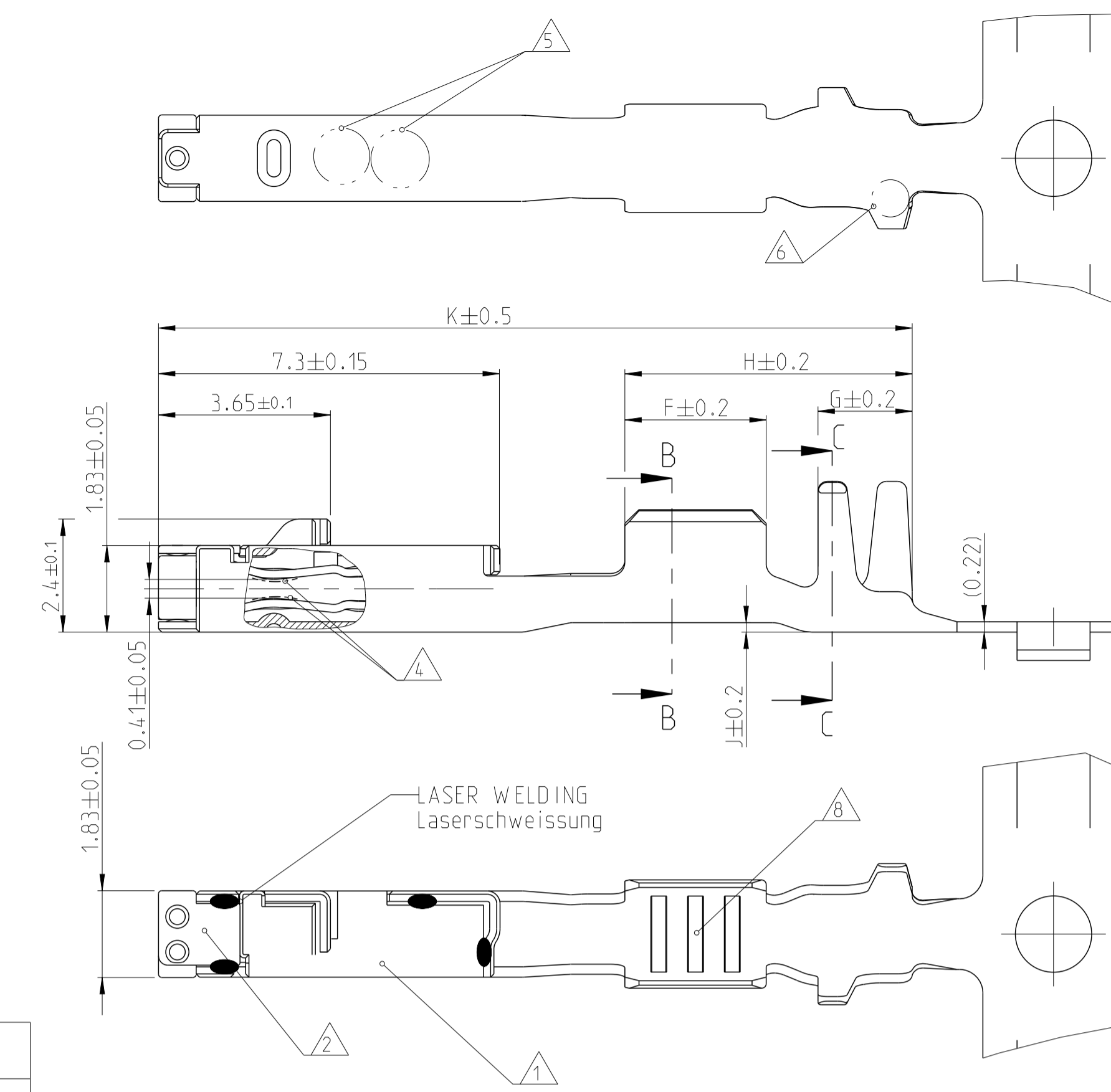
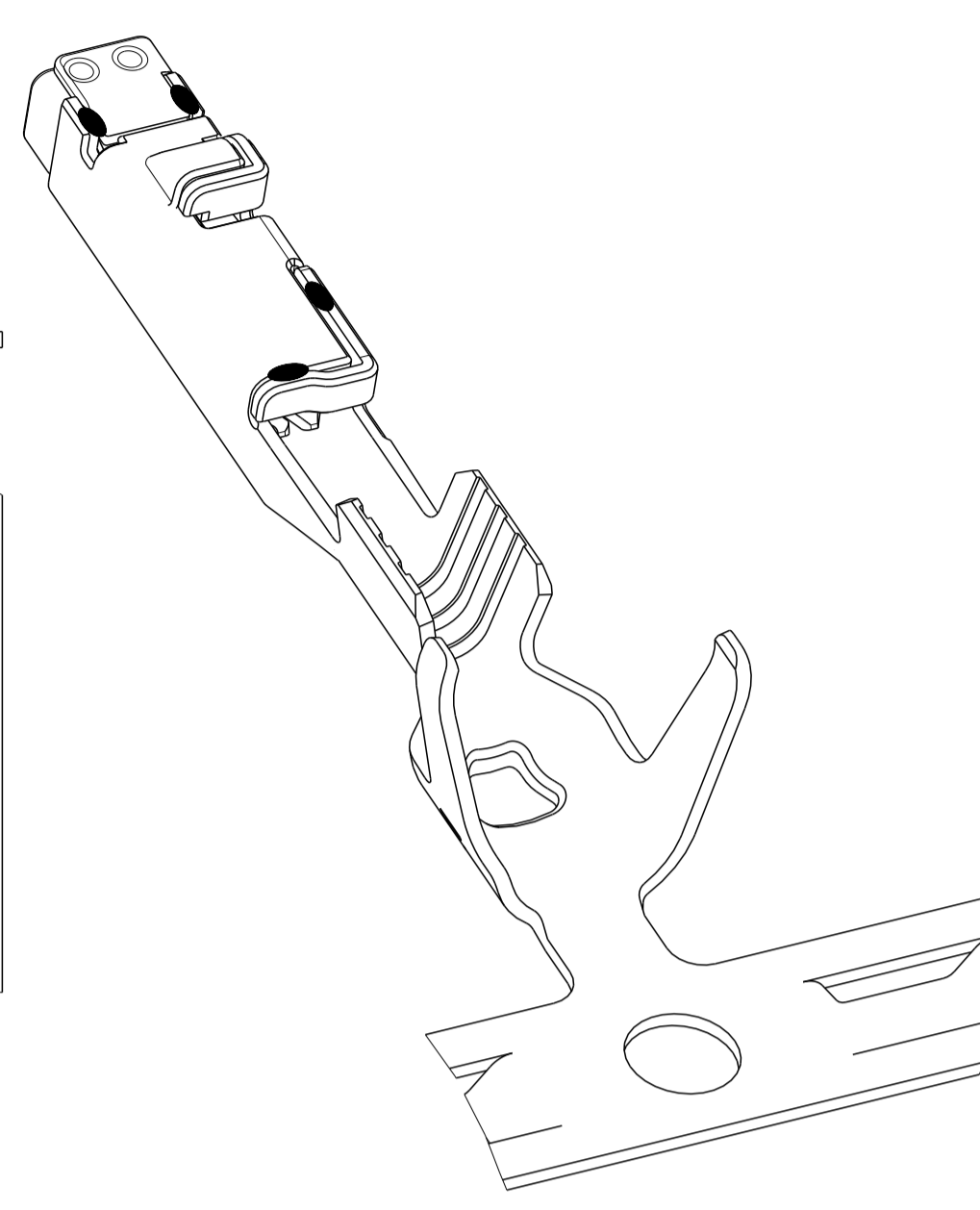
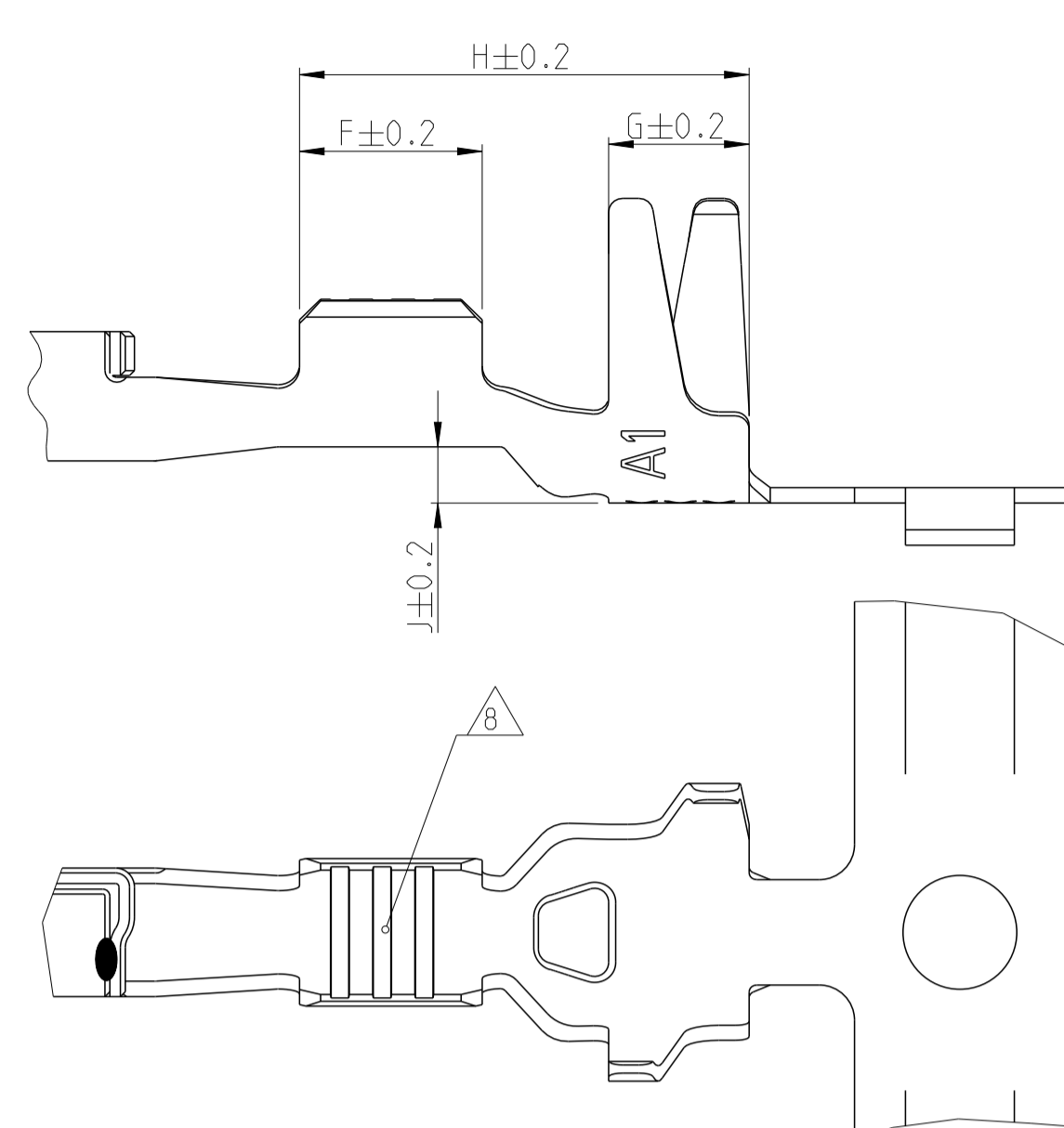


REVISONS		DATE	DMN	APVD
NO.	DESCRIPTION			
G2	PN 1394897 AND 1418847 OBSOLETE	15NOV2012	S.R.	C.G.
G3	ECR-14-008680 CANCELED	12JUN2014	Abt	Raab
G4	Loose Piece Parts removed from Table. ECR-14-012725	25AUG2014	Abt	Raab
G5	Tolerance from dim. J changed (drawing failure)	02FEB2015	Ho.	Raab



VERSION / Ausführung	Rev.	BODY Kontakt-koerper	SPRING Kontakt-feder	BODY Kontakt-koerper	SPRING Kontakt-feder	RANGE Bereich	AWG	mm ²	INSULATION - Ø Isolations-Ø	A	(B)	D _{Dr}	C	E	D _{ISO}	AS PRODUCTS ON CARRIERSTRIP wie Bandware	TE NO.		MASTER APPLICATION-TOOL Basis Crimp-Werkzeug	DIE-PN FOR BASIC-HAND TOOL 539635-1 ERGO-CRIMP Matrizen PN fuer Basisbandzange 539635-1 ERGO-Crimp	
																	F	G			
1418841-3	-	CuSn0.15	CuNi3Si	TIN PLATED verzinkt	SILVER PLATED versilbert	0.14	26	0.14	1.05	2.6	2	6.4	0.8	16	-	967067-2	963142-2	1528151	4-1579001-8		
1418841-2	-	CuSn0.15	CuNi3Si	TIN PLATED verzinkt	GOLD PLATED vergoldet	0.22	-	0.22	1.2	1.55	1.55	0.65	4.25	4.3	2.6	-	-	-	-	-	-
1418841-1	-	CuSn0.15	CuNi3Si	TIN PLATED verzinkt	TIN PLATED verzinkt	0.25-0.35	24	-	1.1	1.85	1.85	0.8	4.25	4.3	2.6	-	967067-2	963142-2	1528152	3-1579001-9	
1418844-3	C	CuSn0.15	CuNi3Si	TIN PLATED verzinkt	SILVER PLATED versilbert	0.25-0.35	22	-	1.75	2.1	2.1	1.1	4.25	4.3	2.7	-	967067-1	963142-1	1528674	5-1579021-7	
1418844-2	C	CuSn0.15	CuNi3Si	TIN PLATED verzinkt	GOLD PLATED vergoldet	0.5-0.75	-	0.75	1.9	2.6	2.6	0.8	4.25	4.3	2.7	-	967067-1	963142-1	1528151	4-1579001-8	
1418844-1	C	CuSn0.15	CuNi3Si	TIN PLATED verzinkt	TIN PLATED verzinkt	0.5-0.75	20	0.5	1.4	2.3	2.5	1.1	4.25	4.3	2.7	-	967067-1	963142-2	1528153	3-1579001-8	
1670146-3	A	CuSn0.15	CuNi3Si	TIN PLATED verzinkt	SILVER PLATED versilbert	1.0-1.5	18	-	1.9	2.6	2.95	1.3	4.45	4.3	2.9	-	967067-1	967067-1	1528154	3-1579001-7	
1670146-2	A	CuSn0.15	CuNi3Si	TIN PLATED verzinkt	GOLD PLATED vergoldet	0.14-0.22	-	0.22	1.2	1.55	1.55	0.65	2.1	2.1	1.1	-	-	-	-	-	-
1670146-1	A	CuSn0.15	CuNi3Si	TIN PLATED verzinkt	TIN PLATED verzinkt	0.14-0.22	26	0.14	1.05	2.6	2	5.7	0	15	-	-	-	1528146	3-1579001-6		
1418847-3	D	CuSn0.15	CuNi3Si	TIN PLATED verzinkt	SILVER PLATED versilbert	0.25-0.35	24	-	1.1	1.85	1.85	0.8	2.65	2.65	1.4	-	-	1528147	0-1579001-6		
1418847-2	D	CuSn0.15	CuNi3Si	TIN PLATED verzinkt	GOLD PLATED vergoldet	0.5-0.75	22	-	1.75	2.1	2.1	1.1	2.8	2.9	1.6	-	-	1528673	5-1579021-6		
1418847-1	D	CuSn0.15	CuNi3Si	TIN PLATED verzinkt	TIN PLATED verzinkt	0.5-0.75	-	0.75	1.9	2.3	2.5	1.1	3	3.2	1.75	-	-	1528148	0-1579001-5		
1418850-3	B	CuSn0.15	CuNi3Si	TIN PLATED verzinkt	SILVER PLATED versilbert	1.0-1.5	18	-	1.9	2.6	2.95	1.3	3.75	3.95	2.1	-	-	1528150	1-1579001-3		
1418850-2	B	CuSn0.15	CuNi3Si	TIN PLATED verzinkt	GOLD PLATED vergoldet	0.14-0.22	-	0.22	1.2	1.55	1.55	0.65	2.1	2.1	1.1	-	-	-	-	-	
1418850-1	B	CuSn0.15	CuNi3Si	TIN PLATED verzinkt	TIN PLATED verzinkt	0.14-0.22	26	0.14	1.05	2.6	2	6.1	0.2	16	-	-	-	1528149	0-1579001-5		
1452500-3	-	CuSn0.15	CuNi3Si	TIN PLATED verzinkt	SILVER PLATED versilbert	0.25-0.35	24	-	1.1	1.85	1.85	0.8	2.65	2.65	1.4	-	-	1528147	0-1579001-6		
1452500-2	-	CuSn0.15	CuNi3Si	TIN PLATED verzinkt	GOLD PLATED vergoldet	0.5-0.75	-	0.75	1.9	2.3	2.5	1.1	3	3.2	1.75	-	-	1528148	0-1579001-5		
1452500-1	-	CuSn0.15	CuNi3Si	TIN PLATED verzinkt	TIN PLATED verzinkt	0.5-0.75	-	0.75	1.9	2.3	2.5	1.1	3	3.2	1.75	-	-	1528148	0-1579001-5		
1534594-3	E	CuSn0.15	CuNi3Si	TIN PLATED verzinkt	SILVER PLATED versilbert	1.0-1.5	18	-	1.9	2.6	2.95	1.3	3.75	3.95	2.1	-	-	1528150	1-1579001-3		
1534594-2	E	CuSn0.15	CuNi3Si	TIN PLATED verzinkt	GOLD PLATED vergoldet	0.14-0.22	-	0.22	1.2	1.55	1.55	0.65	2.1	2.1	1.1	-	-	-	-	-	
1534594-1	E	CuSn0.15	CuNi3Si	TIN PLATED verzinkt	TIN PLATED verzinkt	0.14-0.22	26	0.14	1.05	2.6	2	5.7	0	15	-	-	-	1528146	3-1579001-6		
1670144-3	A	CuSn0.15	CuNi3Si	TIN PLATED verzinkt	SILVER PLATED versilbert	0.5-0.75	20	0.5	1.4	2.1	2.1	1.1	2.8	2.9	1.6	-	-	1528673	5-1579021-6		
1670144-2	A	CuSn0.15	CuNi3Si	TIN PLATED verzinkt	GOLD PLATED vergoldet	0.5-0.75	-	0.75	1.9	2.3	2.5	1.1	3	3.2	1.75	-	-	1528148	0-1579001-5		
1670144-1	A	CuSn0.15	CuNi3Si	TIN PLATED verzinkt	TIN PLATED verzinkt	0.5-0.75	-	0.75	1.9	2.3	2.5	1.1	3	3.2	1.75	-	-	1528148	0-1579001-5		
1394897-3	E	CuSn0.15	CuNi3Si	TIN PLATED verzinkt	SILVER PLATED versilbert	1.0-1.5	18	-	1.9	2.6	2.95	1.3	3.75	3.95	2.1	-	-	1528150	1-1579001-3		
1394897-2	E	CuSn0.15	CuNi3Si	TIN PLATED verzinkt	GOLD PLATED vergoldet	0.14-0.22	-	0.22	1.2	1.55	1.55	0.65	2.1	2.1	1.1	-	-	-	-	-	
1394897-1	E	CuSn0.15	CuNi3Si	TIN PLATED verzinkt	TIN PLATED verzinkt	0.14-0.22	26	0.14	1.05	2.6	2	6.1	0.2	16	-	-	-	1528149	0-1579001-5		
1452503-3	C	CuSn0.15	CuNi3Si	TIN PLATED verzinkt	SILVER PLATED versilbert	0.25-0.35	24	-	1.1	1.85	1.85	0.8	2.65	2.65	1.4	-	-	1528147	0-1579001-6		
1452503-2	C	CuSn0.15	CuNi3Si	TIN PLATED verzinkt	GOLD PLATED vergoldet	0.5-0.75	-	0.75	1.9	2.3	2.5	1.1	3	3.2	1.75	-	-	1528148	0-1579001-5		
1452503-1	C	CuSn0.15	CuNi3Si	TIN PLATED verzinkt	TIN PLATED verzinkt	0.5-0.75	-	0.75	1.9	2.3	2.5	1.1	3	3.2	1.75	-	-	1528148	0-1579001-5		

NOTES

- 1 BODY
- 2 SPRING
- 3 ONLY FOR FLR-WIRE SEE DIN 72551, PART 6 AND AWG WIRE ACCORDING DC-SPEC: MS-8288; MS-7889; MS-9532
- 4 SURFACE
 - a) BODY -PRE TIN 1 TO 3 μm
 - b) SPRING -PRE TIN SnAg 1 TO 3 μm
 - GOLD PLATED MIN. 0.8 μm (ONLY CONTACT AREA)
 - SILVER PLATED 2 TO 5 μm (ONLY CONTACT AREA)
- 5 STAMPED INDICATOR FOR PLATING:
 - A U GOLD PLATING
 - A G SILVER PLATING
 - TIN PLATING WITHOUT INDICATOR
- 6 OPTIONAL DATE CODE
- 7 1394897-1, -2, -3 superseded by 1670144-1, -2, -3
1418847-1, -2, -3 superseded by 1670146-1, -2, -3

CAUTION!
PART NUMBERS 1670144 AND 1670146 ARE PROCESSED WITH OTHER CRIMP HEIGHTS. SEE APPLICATION SPECIFICATION NO.114-18464 UP FROM REVISION "P"

Bemerkungen

- 1 Kontaktkoerper
- 2 Kontaktfeder
- 3 Nur fuer FLR-Leitung nach DIN 72551, Teil 6 und AWG Leitung nach DC-Spec: MS-8288; MS-7889; MS-9532
- 4 Oberflaeche
 - a) Kontaktkoerper -verzinkt 1 bis 3 μm
 - b) Kontaktfeder -verzinkt SnAg 1 bis 3 μm
 - galv. vergoldet min. 0.8 μm (nur Kontaktzone)
 - galv. versilbert 2 bis 5 μm (nur Kontaktzone)
- 5 Markierung fuer galvanische Ausfuehrung:
 - A U vergoldet
 - A G versilbert
 - Verzinkt: ohne Markierung
- 6 Optional Datumscode
- 7 1394897-1, -2, -3 ersetzt durch 1670144-1, -2, -3
1418847-1, -2, -3 ersetzt durch 1670146-1, -2, -3

ACHTUNG!
Teilenummern 1670144 und 1670146 werden mit anderen Crimphoehen verarbeitet. Siehe Verarbeitungsspezifikation Nr.114-18464 ab Revision "P"

8 Unterschiedliche Ausfuehrung der Rillen moeglich

THIS DRAWING IS A CONTROLLED DOCUMENT.

DIMENSIONS: mm

TOLERANCES UNLESS OTHERWISE SPECIFIED:

0 PLC	±0.2
1 PLC	±0.2
2 PLC	±0.1
3 PLC	±0.1
4 PLC	±0.1
ANGLES	±0.1°

MATERIAL: - FINISH: -

Customer Drawing

TOLERANCING ISO 8015 TOLERIERUNG ISO 8015

DMN: G. Hotea 17AUG2001

CHK: E. Herth 11MAR2002

APVD: H. Wendling 12MAR2002

PRODUCT SPEC: 108-18782

APPLICATION SPEC: 114-18464

WEIGHT: 0.18 g

Customer Drawing

SCALE: 10:1 SHEET: 1 OF 1 REV: G5

TE Connectivity

NAME: MCON 1.2 CB (CLEAN BODY)

SIZE: A1 CAGE CODE: 00779 DRAWING NO: 1534326

Mouser Electronics

Authorized Distributor

Click to View Pricing, Inventory, Delivery & Lifecycle Information:

[TE Connectivity:](#)

[1670146-2](#)