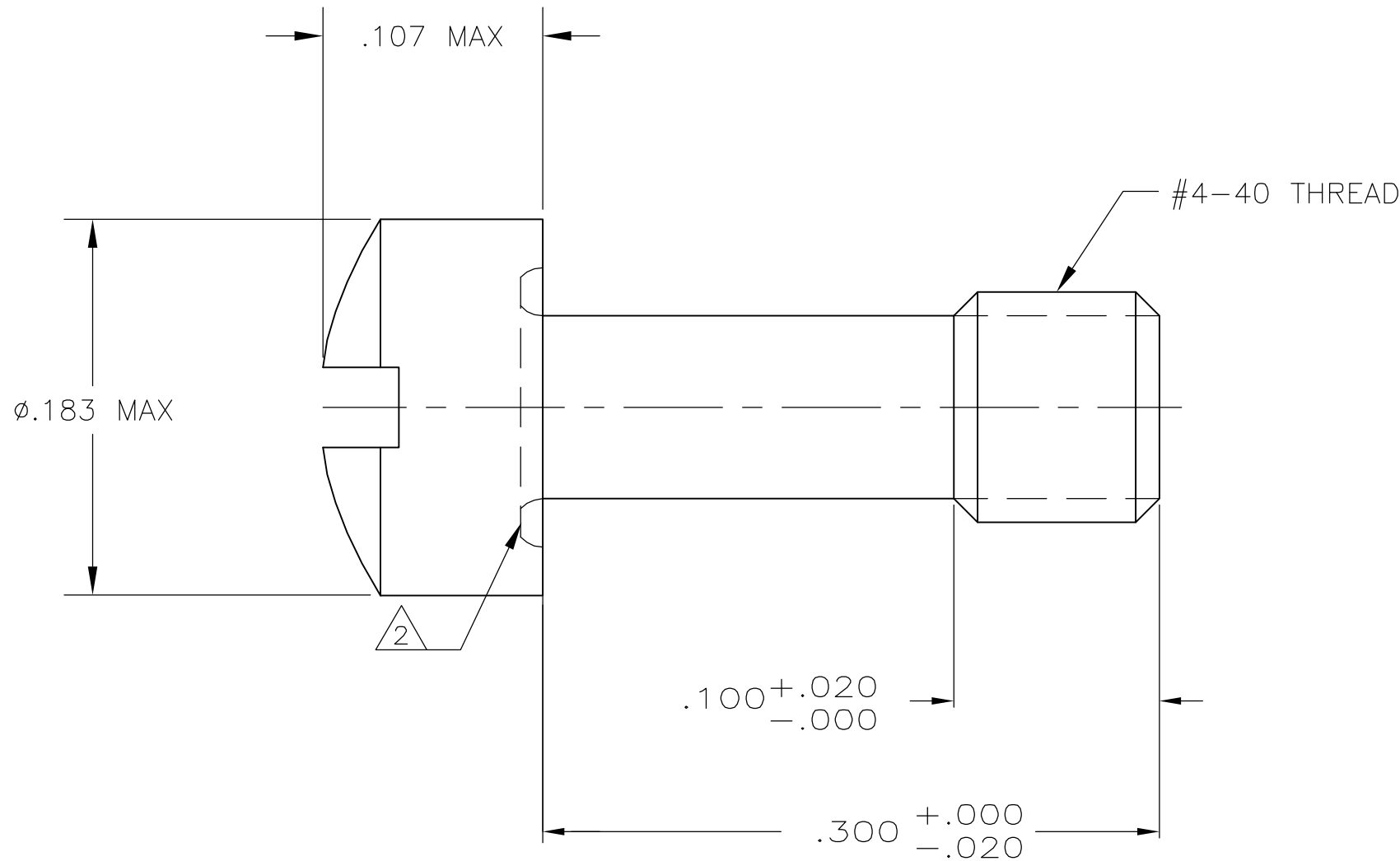


THIS DRAWING IS UNPUBLISHED. RELEASED FOR PUBLICATION 10AUG, 10AUG05
 © COPYRIGHT - BY TYCO ELECTRONICS CORPORATION. ALL RIGHTS RESERVED.

LOC	DIST	REVISIONS					
GP	00	P	LTR	DESCRIPTION	DATE	DWN	APVD
			A	REVISED PER EC 0S13-0349-05	17AUG05	JG	JG

- ① ZINC PLATED .000200-.000400 THICK, CLEAR CHROMATE COATING.
- ② UNDERCUT MAY OR MAY NOT BE PRESENT IN THIS AREA.



5746879-1
PART NO

THIS DRAWING IS A CONTROLLED DOCUMENT.		DWN B. LATTUCA 08AUG05	Tyco Electronics Corporation Harrisburg, Pa 17105-3608				
DIMENSIONS: INCHES		CHK C. ROHDE 08AUG05					
TOLERANCES UNLESS OTHERWISE SPECIFIED:		APVD M. WALMSLEY 08AUG05	NAME SCREW, FILLISTER HEAD				
0 PLC ± - 1 PLC ± - 2 PLC ± - 3 PLC ± - 4 PLC ± - ANGLES ± -		PRODUCT SPEC -	-				
MATERIAL STEEL		FINISH ①	APPLICATION SPEC -	SIZE A3	CAGE CODE 00779	DRAWING NO C-5746879	RESTRICTED TO -
CUSTOMER DRAWING			WEIGHT -	SCALE NTS	SHEET 1 OF 1	REV A	

Mouser Electronics

Authorized Distributor

Click to View Pricing, Inventory, Delivery & Lifecycle Information:

[TE Connectivity:](#)

[5746879-1](#)