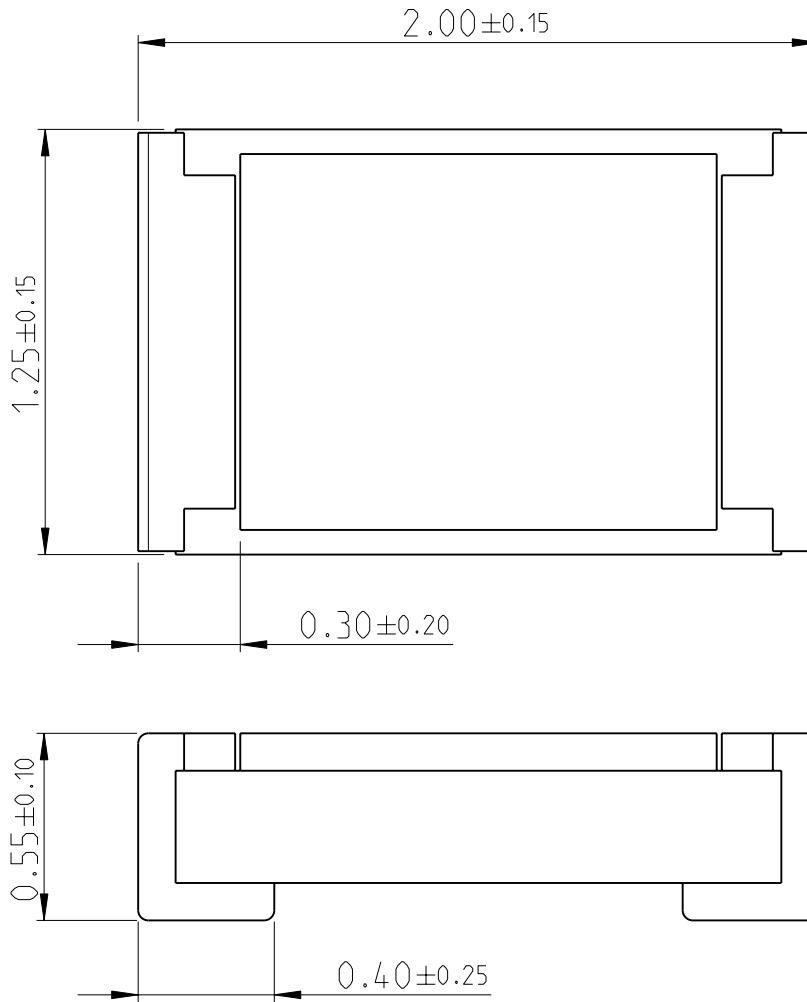
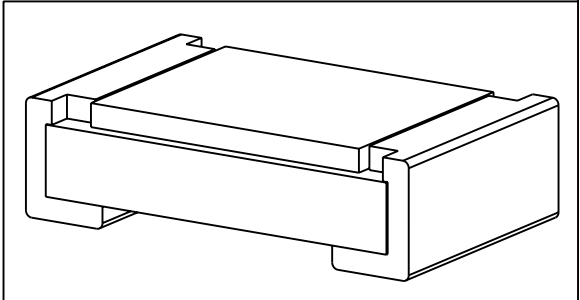


LOC	DIST	REVISIONS					
-	-	P	LTR	DESCRIPTION	DATE	DWN	APVD
		BA		NEW DRAWING	25APR2012	KR	St.P



FOR FURTHER INFORMATION SEE DATA SHEET FOR  
SMD HIGH POWER PRECISION RESISTORS - RP73 SERIES

RoHS Compliant



20


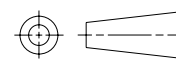
RELEASED FOR PUBLICATION

ALL RIGHTS RESERVED.

THIS DRAWING IS UNPUBLISHED.

BY -

© COPYRIGHT 20

DIMENSIONS: mm	DWN RAGHAVENDRA K	25APR2012	MATERIAL	-	FINISH	-
	CHK ALLAN P	25APR2012	 TE Connectivity			
TOLERANCES UNLESS OTHERWISE SPECIFIED:	APVD STEPHEN.P	25APR2012				
	0 PLC ±	PRODUCT SPEC	HIGH POWER PRECISION CHIP RESISTORS - TYPE			
1 PLC ±0.5	-	APPLICATION SPEC	RP73P 0805 SERIES			
2 PLC ±0.13	-	-	SIZE	CAGE CODE	DRAWING NO	RESTRICTED TO
3 PLC ±0.013	-	-	A 4	00779	©-2176091	-
4 PLC ±0.0001	-	-	WEIGHT 0.005 Gram			
ANGLES ±	CUSTOMER DRAWING		SCALE	40:1	SHEET	1 OF 1
			REV BA			

# Mouser Electronics

Authorized Distributor

Click to View Pricing, Inventory, Delivery & Lifecycle Information:

[TE Connectivity:](#)

[8-2176091-5](#)