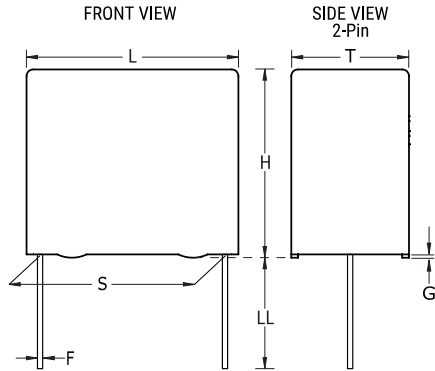


**KEMET Part Number: PME295RB4330MR30**  
(P295BL332M440A)

PME295/P295, Film, Metallized Paper, Safety, 3300 pF, 20%, 440 VAC (Y1) (ENEC), 480 VAC (UL, cUL), 1500 VDC, 115°C, Lead Spacing = 15mm



General Information	
Series:	PME295/P295
Dielectric:	Metallized Paper
Style:	Radial
Features:	EMI Safety
RoHS:	Yes
Lead:	Wire Leads
Safety Class:	Y1
Qualifications:	ENEC, UL, cUL, CQC
AEC-Q200:	No
Miscellaneous:	SRF= 27 MHz.

Dimensions	
L	18mm MAX
H	14.5mm MAX
T	7.5mm MAX
S	15mm +/-0.4mm
LL	30mm +5mm
F	0.8mm +/-0.05mm
G	0.5mm NOM

Specifications	
Capacitance:	3300 pF
Capacitance Tolerance:	20%
Voltage AC:	440 VAC (Y1) (ENEC), 480 VAC (UL, cUL)
Voltage DC:	1500 VDC
Temperature Range:	-40/+115°C
Rated Temperature:	115°C
Dissipation Factor:	1.3% 1kHz
Insulation Resistance:	12 GOhms
Max dV/dt:	2000 V/us

Packaging Specifications	
Packaging:	Bulk, Bag
Packaging Quantity:	400