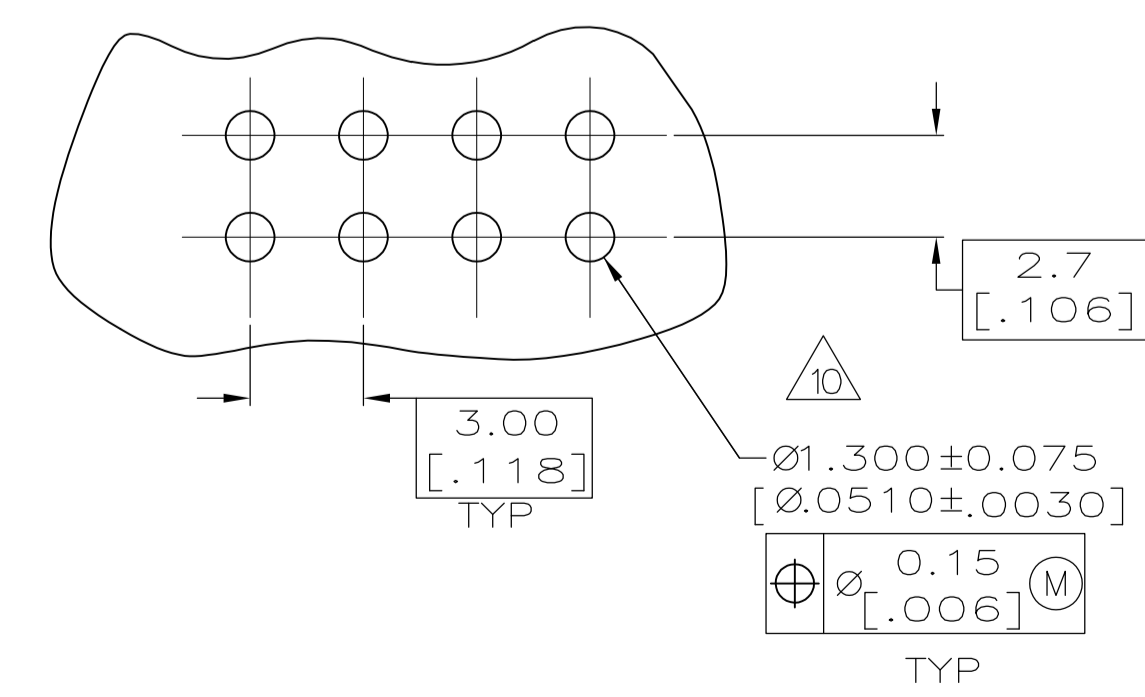
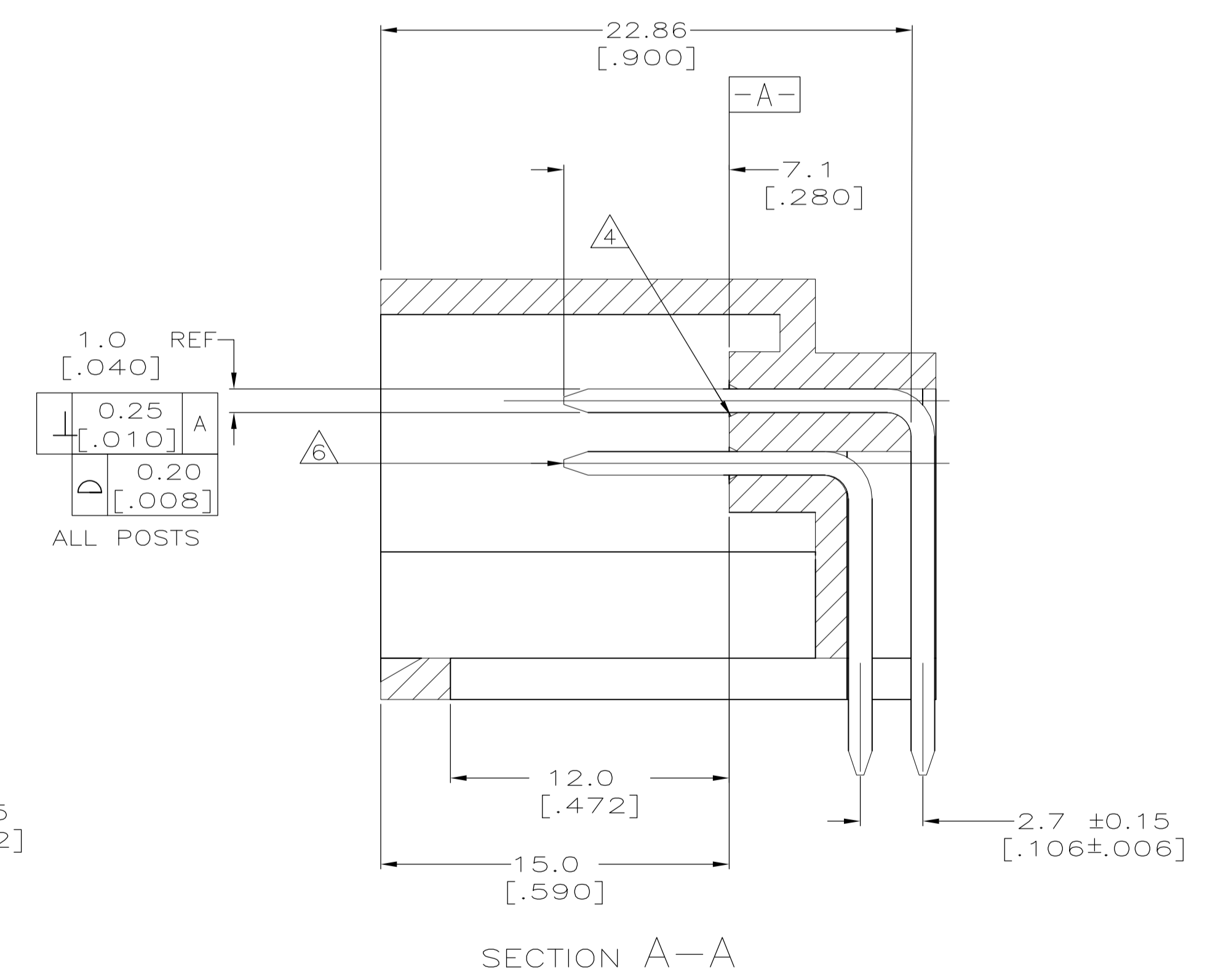
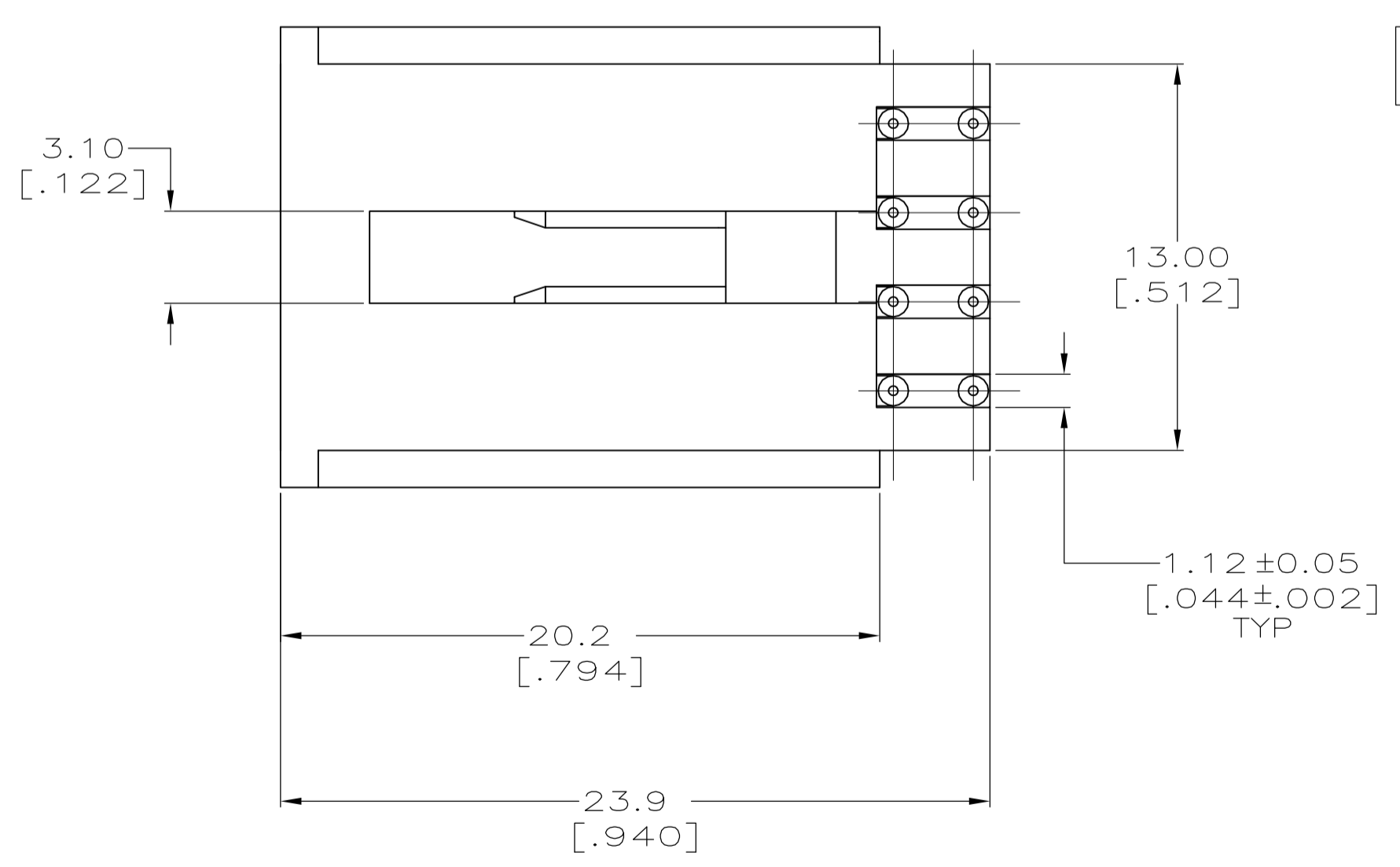
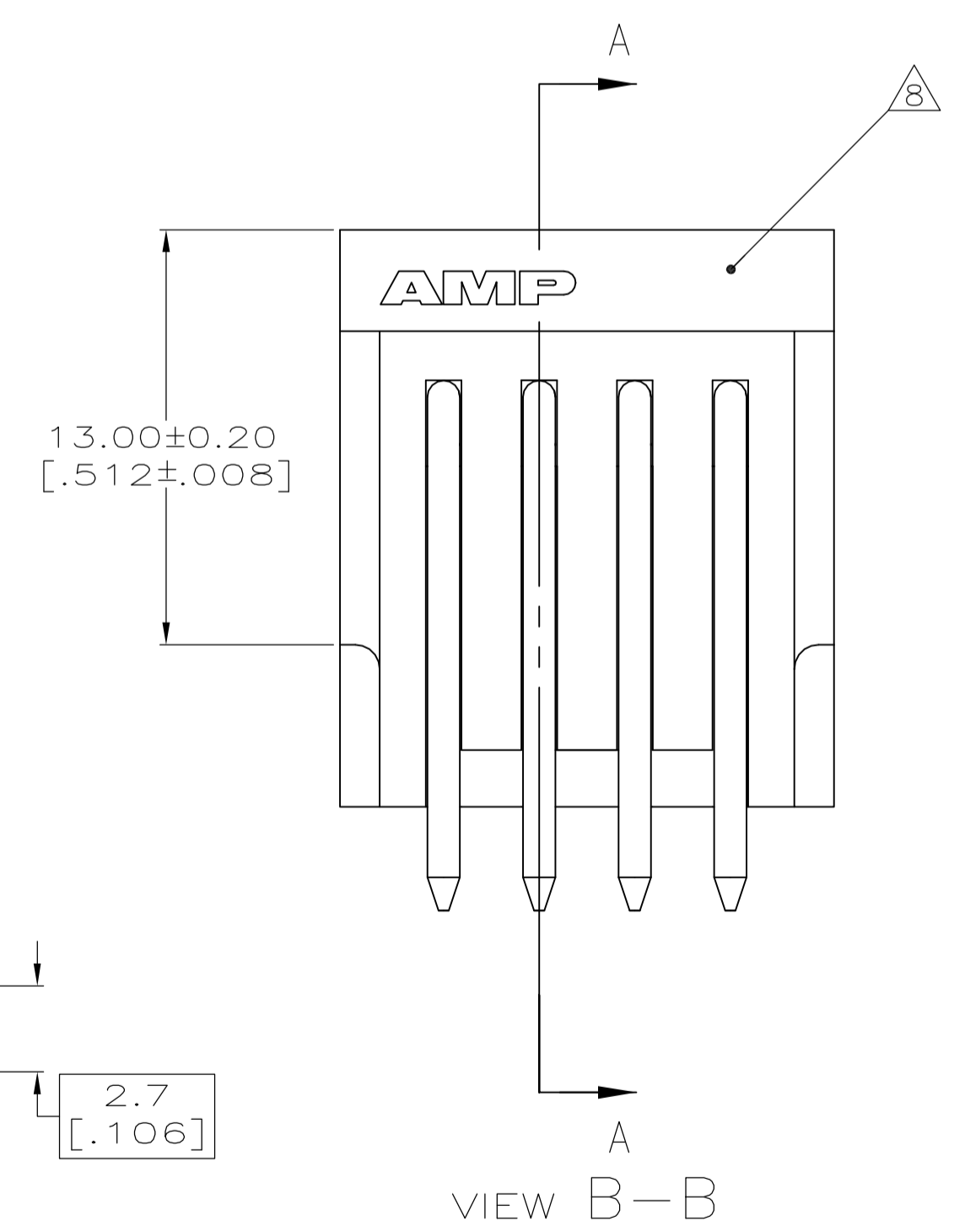
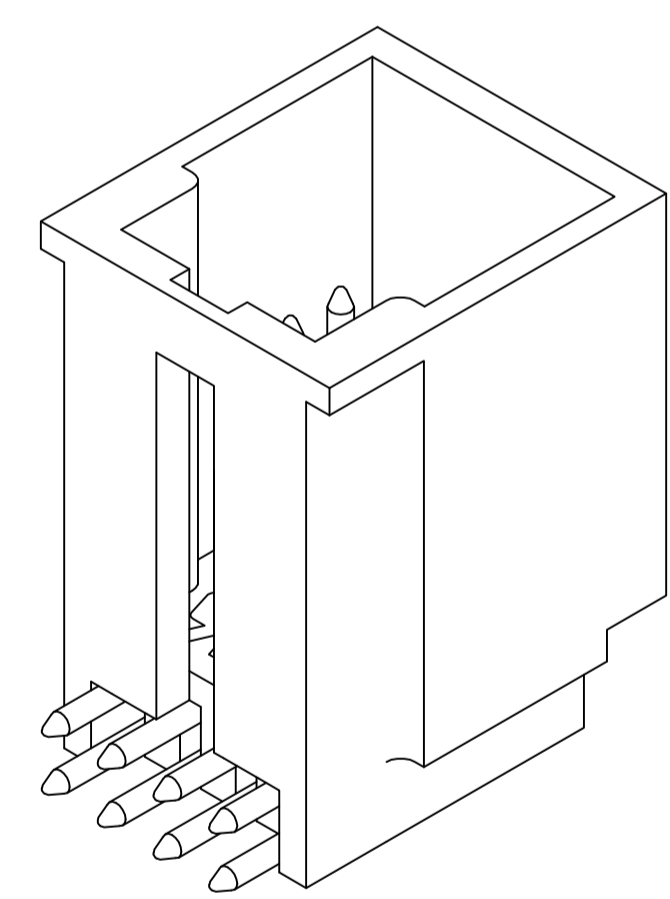
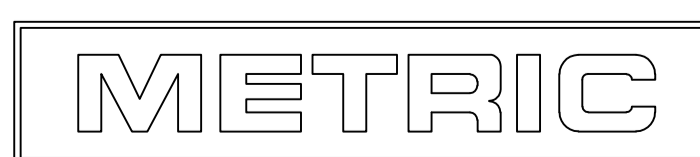


- 1 MATERIAL:
HOUSING: THERMOPLASTIC POLYESTER PBT, FLAME RETARDED UL94V-0.
POST: COPPER ALLOY
- 2 FINISH:
HOUSING: NATURAL
POST: MATTE TIN OVER COPPER OR NICKEL UNDERPLATE.
3. POST SOLDER TAILS TO COMPLY WITH AMP SOLDERABILITY SPEC 109-11-2.
- 4 PLASTIC PROTRUSIONS AROUND POST CAN NOT EXTEND BEYOND [-A-].
- 5 MEASURED AT [-A-].
- 6 POST MUST WITHSTAND 15.57 N [3.5 LB] MIN AXIAL FORCE IN THIS DIRECTION WITHOUT DISLODGING.
- 7 SOLDER SIDE OF BOARD IS SHOWN.
- 8 MOLD CAVITY IDENTIFICATION LOCATION.
9. DIMENSIONS IN BRACKETS ARE IN INCHES.
- 10 ONE HOLE MAY BE UNDERSIZED (1.09 [.043] - 1.17 [.046] DIA) FOR RETENTION DURING WAVE SOLDERING.



644590-1
PART NO

THIS DRAWING IS A CONTROLLED DOCUMENT.		DIN S. CARPENTER 06AUG2003		Tyco Electronics Tyco Electronics Corporation Harrisburg, PA 17105-3608	
DIMENSIONS: mm [INCHES]		TOLERANCES UNLESS OTHERWISE SPECIFIED:		NAME: D. ROSSI 06AUG2003	
0 PLC ± 1 PLC ± 2 PLC ± 3 PLC ± 0.13 [.005] 4 PLC ± ANGLES ± 0°30'		APPLICATION SPEC		PRODUCT SPEC	
MATERIAL		FINISH		SIZE: A1 00779 C=644590	
CUSTOMER DRAWING		SCALE: 5:1		SHEET 1 OF 1 REV F	



Mouser Electronics

Authorized Distributor

Click to View Pricing, Inventory, Delivery & Lifecycle Information:

[TE Connectivity:](#)

[644590-1](#)