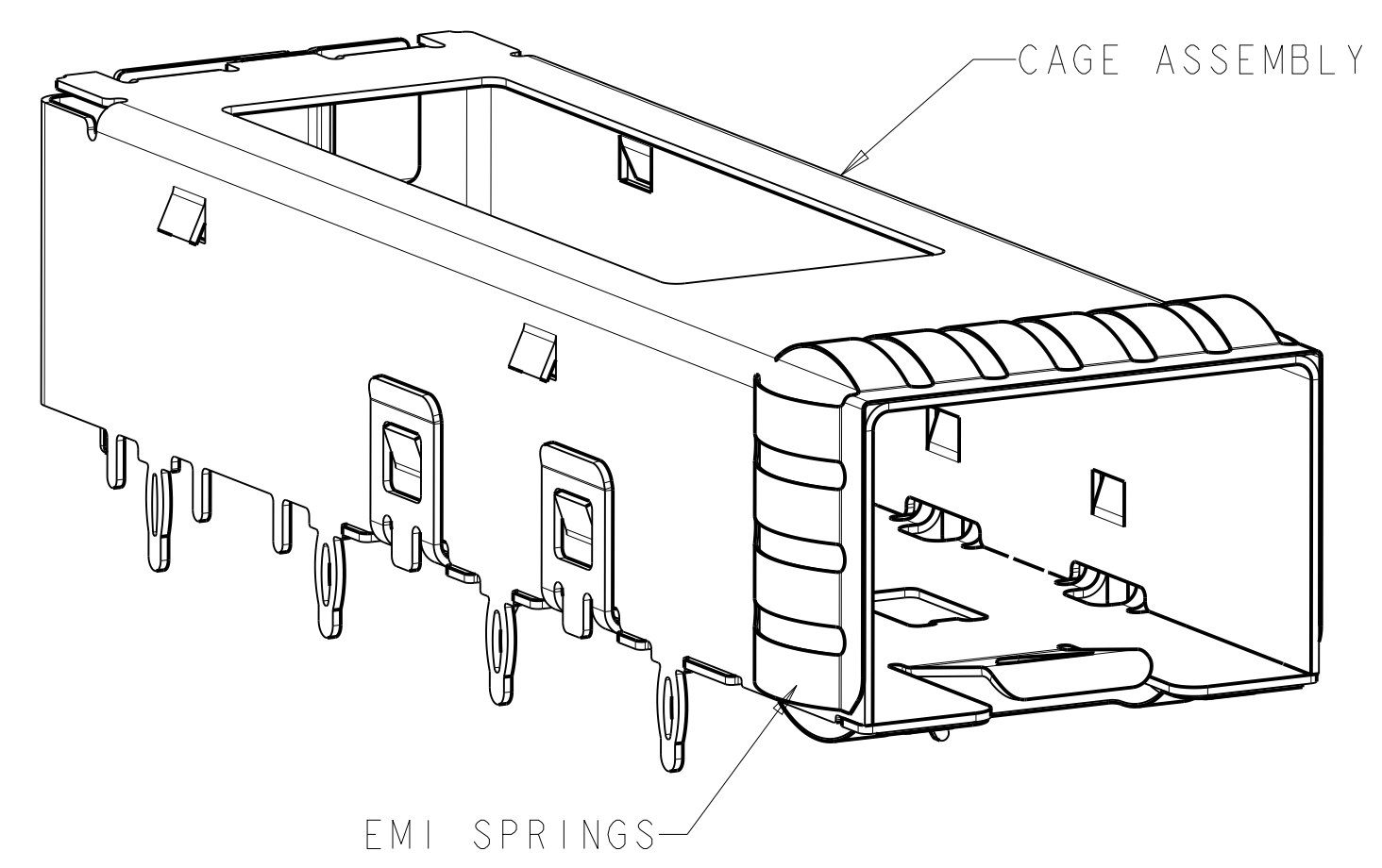
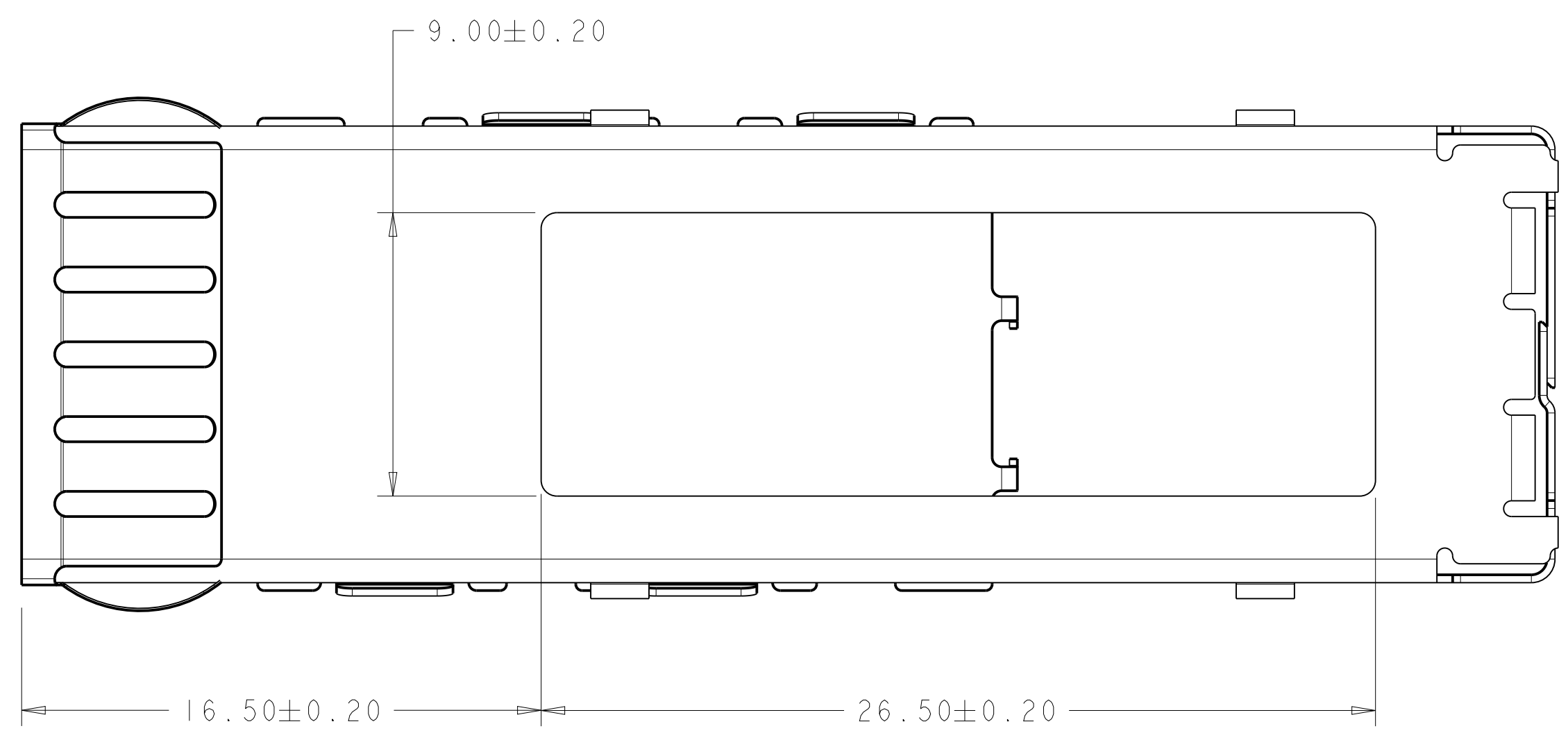


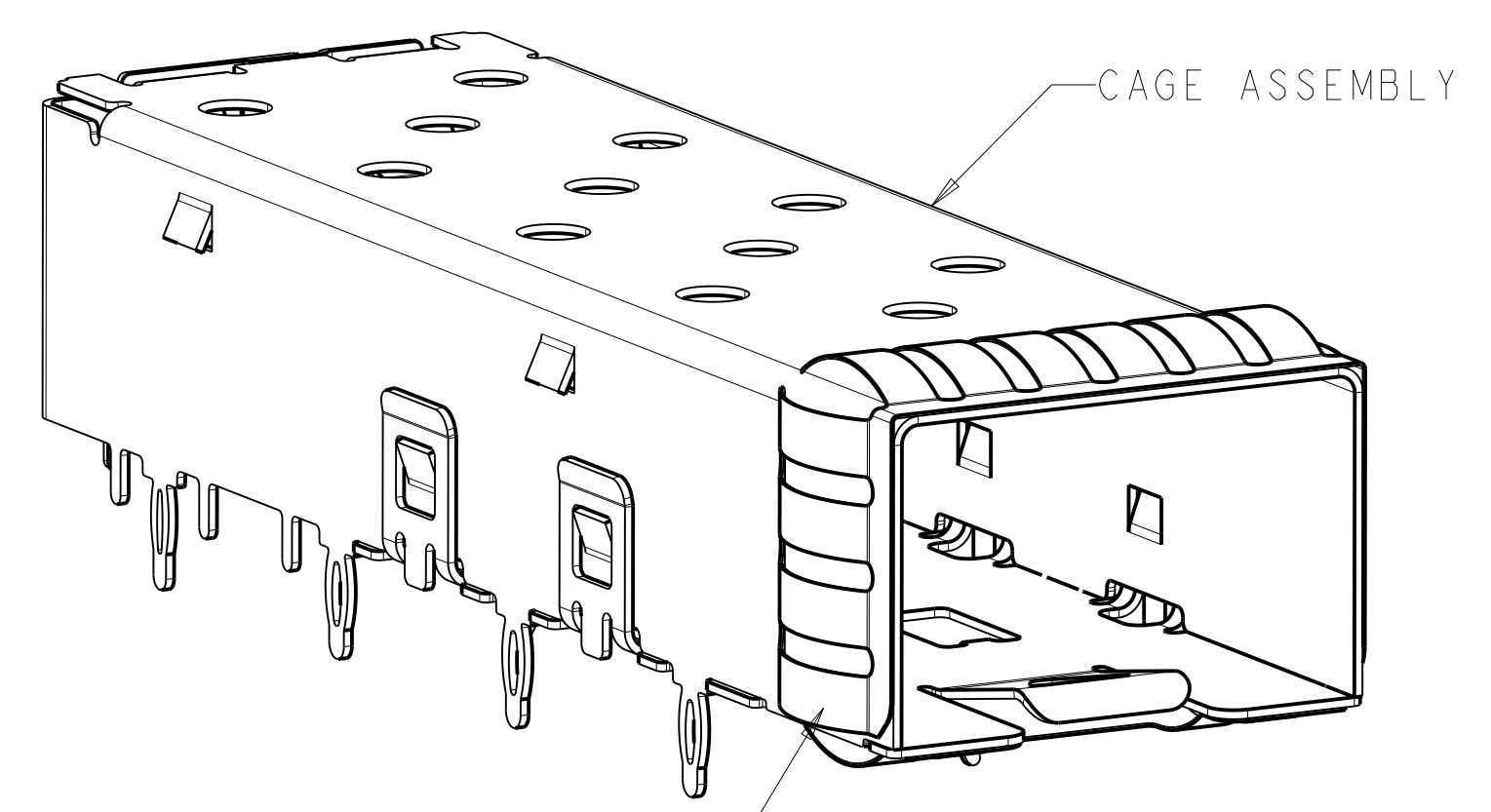
LOC	DIST	REVISIONS			
GP	00	REV	DATE	BY	CHKD
		C	07DEC2011	TX	AC
		C1	09SEP2013	PP	SH
		C2	16JAN2014	PP	SH
		C3	24MAR2014	JZ	SH



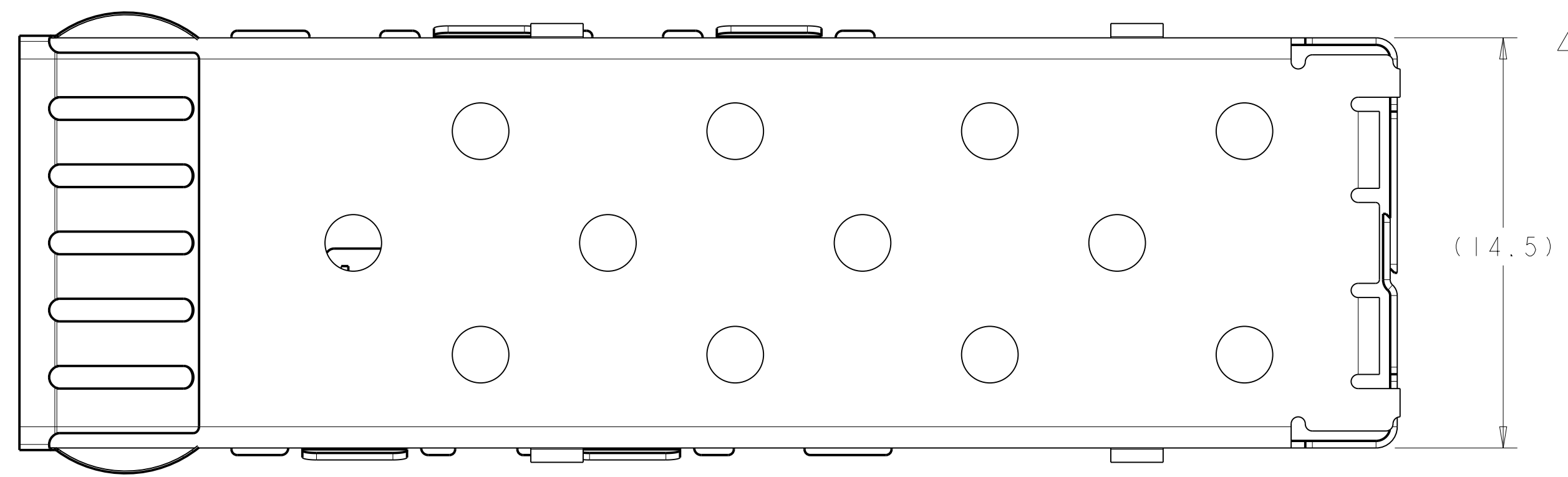
2007198-2  
SCALE 5:1



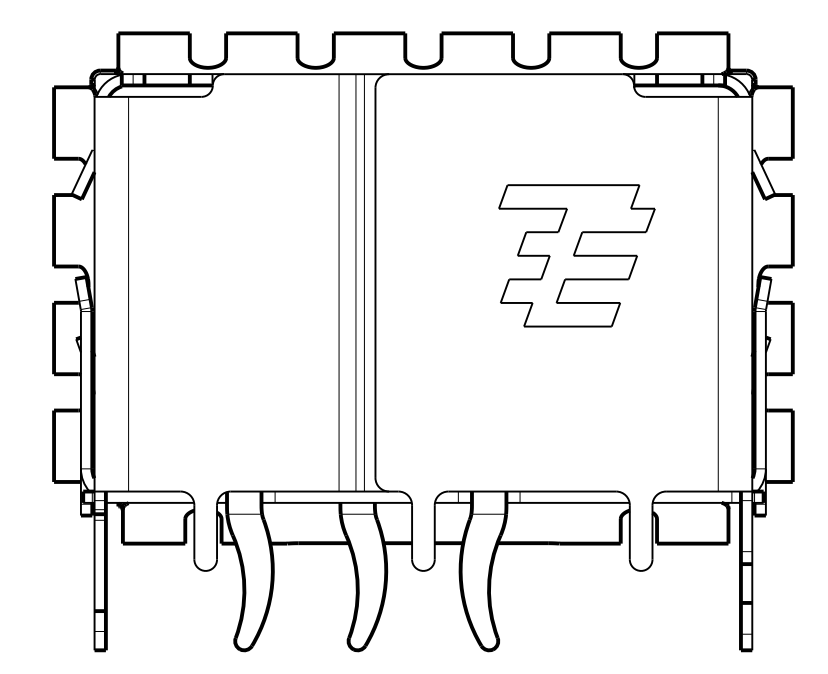
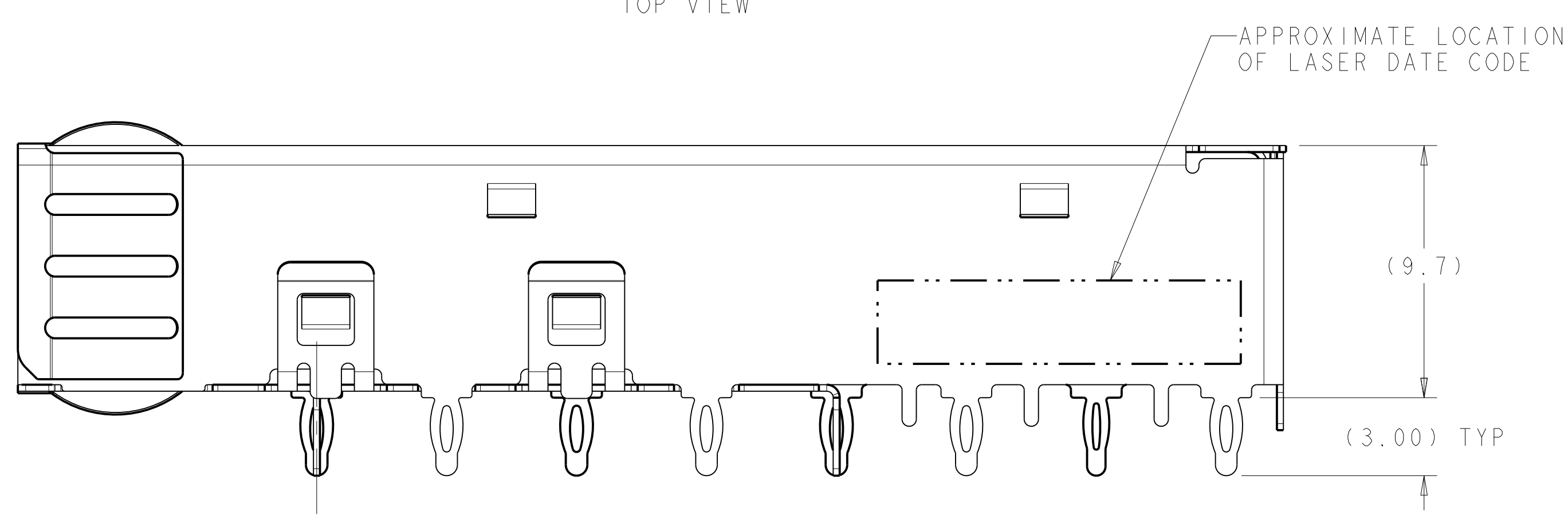
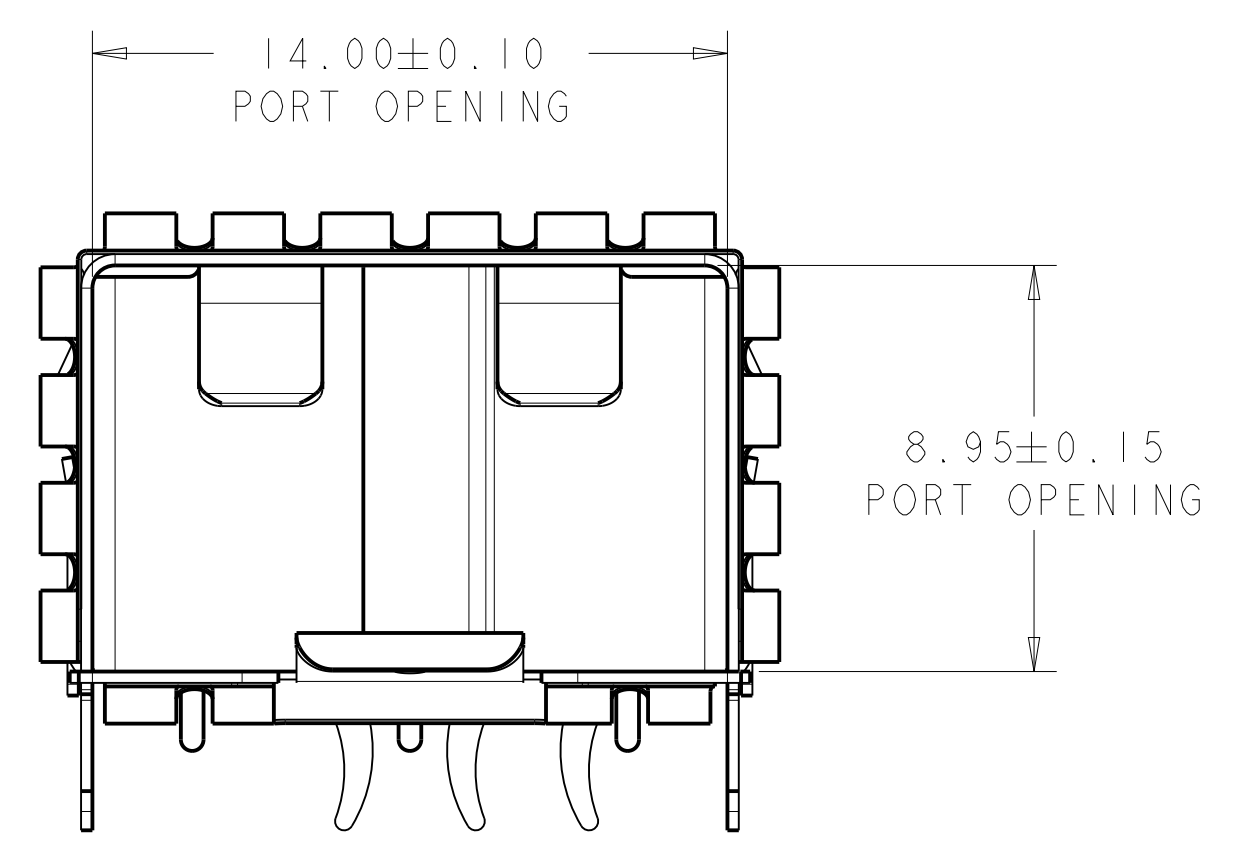
2007198-2  
SAME AS 2007198-1 EXCEPT AS SHOWN  
TOP VIEW



2007198-1/-9  
2007198-9 SAME AS 2007198-1, ONLY PACKAGE DIFFER  
SCALE 5:1



2007198-1/-9  
TOP VIEW



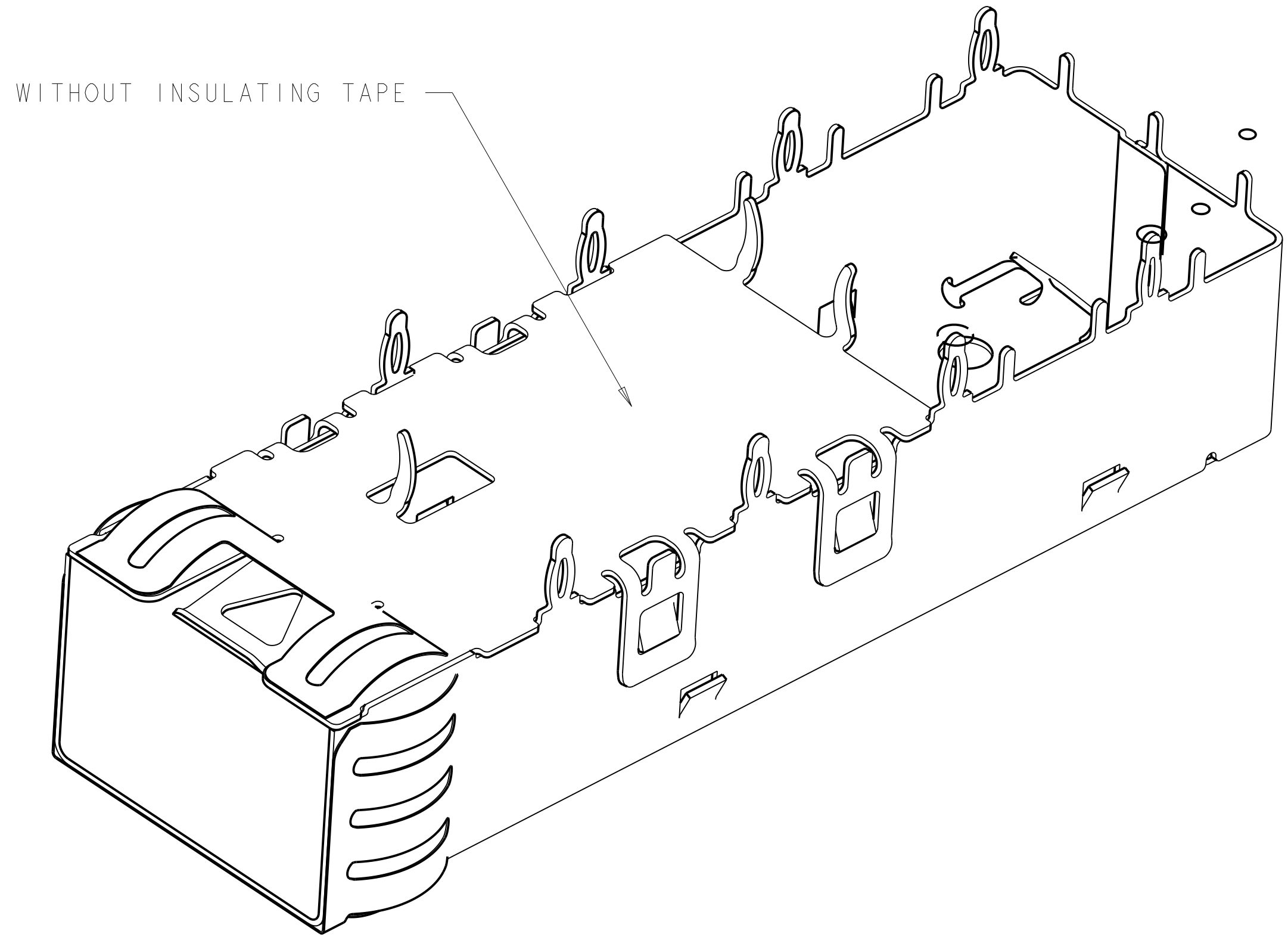
- 1 MATERIAL:  
CAGE ASSEMBLY - 0.25mm THICK NICKEL SILVER ALLOY.  
EMI SPRINGS - COPPER ALLOY.
- 2 FINISH  
EMI SPRINGS - 0.8um MIN MATTE TIN OVER 0.8um MIN NICKEL,  
NON-PLATED EDGES PERMISSIBLE.
- 3. MATES WITH SFP MSA COMPLIANT TRANSCEIVERS.
- 4 PADS AND VIAS CHASSIS GROUND.
- 5 DATUM AND BASIC DIMENSION ESTABLISHED BY CUSTOMER.
- 6. MINIMUM PC BOARD THICKNESS:  
SINGLE SIDED = 1.50 mm  
DOUBLE SIDED = 3.00 mm
- 7 REFERENCE APPLICATION SPEC. 114-13120, HOLE A, FOR  
RECOMMENDED DRILL HOLE DIAMETER AND PLATING THICKNESS.
- 8 REFERENCE APPLICATION SPEC. 114-13120, HOLE C, FOR  
RECOMMENDED DRILL HOLE DIAMETER AND PLATING THICKNESS.
- 9. NOTE DELETED
- 10 PACKAGE TYPE IS TAPE AND REEL.

INSULATING TAPE	DESCRIPTION	PART NUMBER
W/O INSULATING TAPE	EMI HOLES	2007198-9
W/O INSULATING TAPE	NEW LANCE	2007198-7
W/ INSULATING TAPE	EMI HOLES	2007198-5
W/O INSULATING TAPE	HEATSINK OPENING	2007198-2
W/O INSULATING TAPE	EMI HOLES	2007198-1

THIS DRAWING IS A CONTROLLED DOCUMENT.

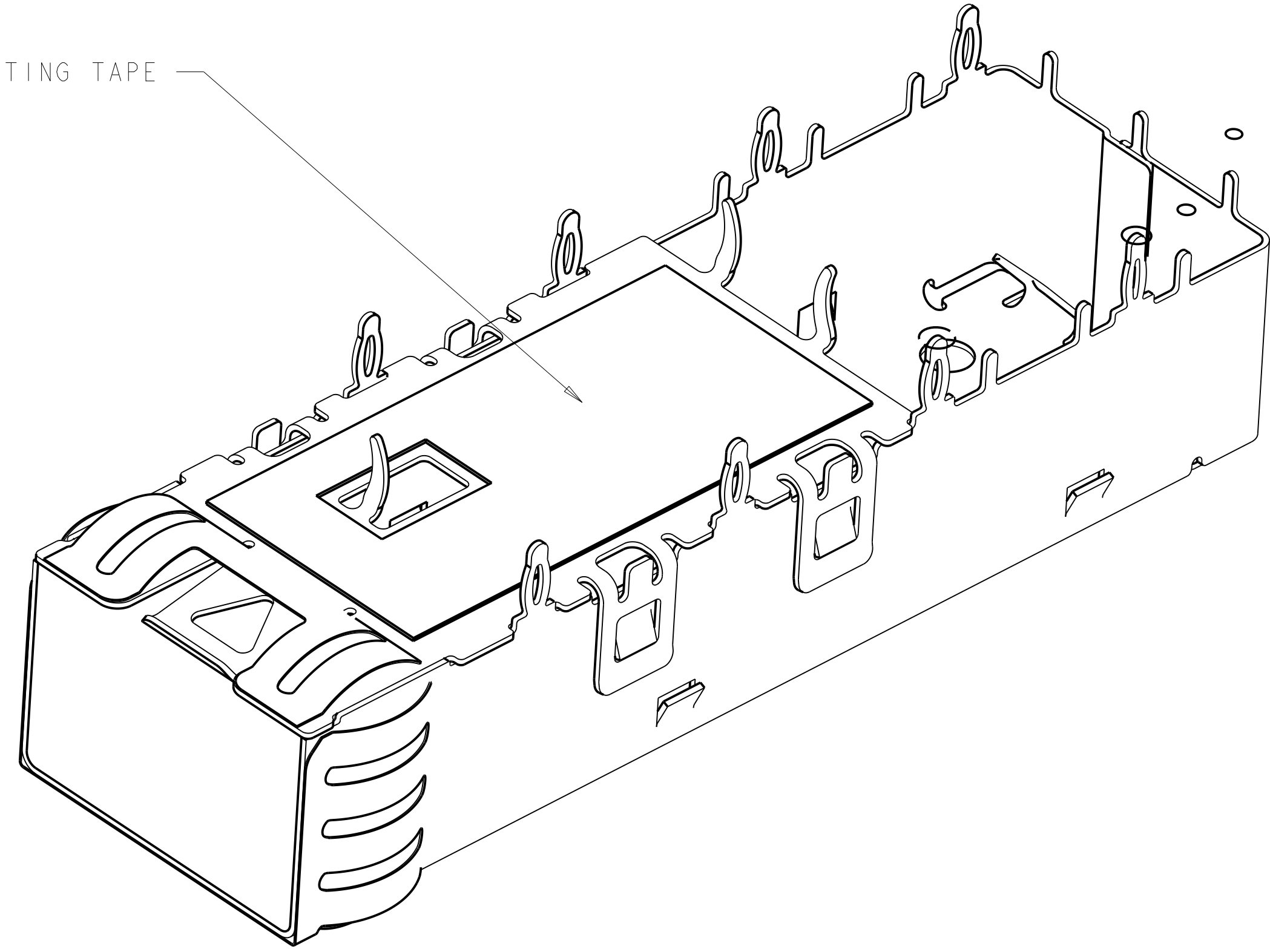
DIMENSIONS:	TOLERANCES UNLESS OTHERWISE SPECIFIED:	DRW: M. SCHMITT 07JUN07	CHK: M. SCHMITT 07JUN07	 TE Connectivity NAME: SFP+ 1X1 CAGE ASSEMBLY, PRESS-FIT PRESS-FIT, EMI SPRINGS PRODUCT SPEC: 108-2364 APPLICATION SPEC: 114-13120 SIZE: CAGE CODE DRAWING NO: A100779C=2007198 WEIGHT: - Customer Drawing
mm	0 PLC ±0.1 1 PLC ±0.1 2 PLC ±0.1 3 PLC ±0.05 4 PLC ±0.05	APVD: B. WERTZ 07JUN07	RESTRICTED TO	
		REVISIONS	SCALE: 6:1	
MATERIAL:  FINISH:		DATE: 07JUN07	SHEET 1 OF 4	

LOC		DIST		REVISIONS			
GP	00	P	LTN	DESCRIPTION	DATE	DMN	APVD
		-		SEE SHEET 1			

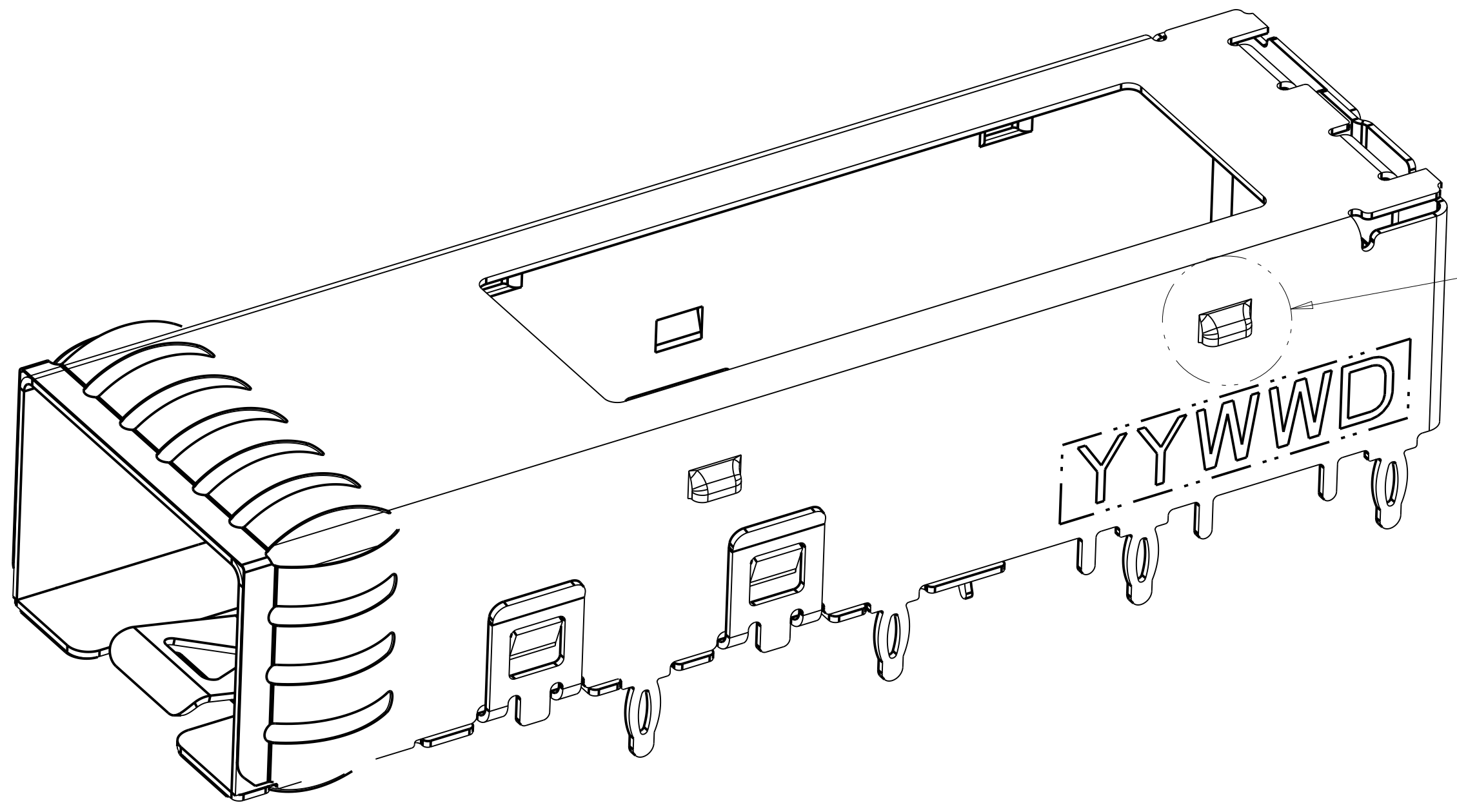


2007198-1,2,9 AS SHOWN WITHOUT INSULATING TAPE

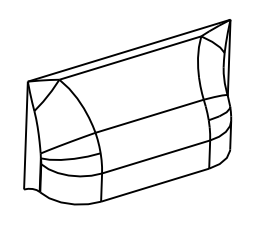
WITH INSULATING TAPE



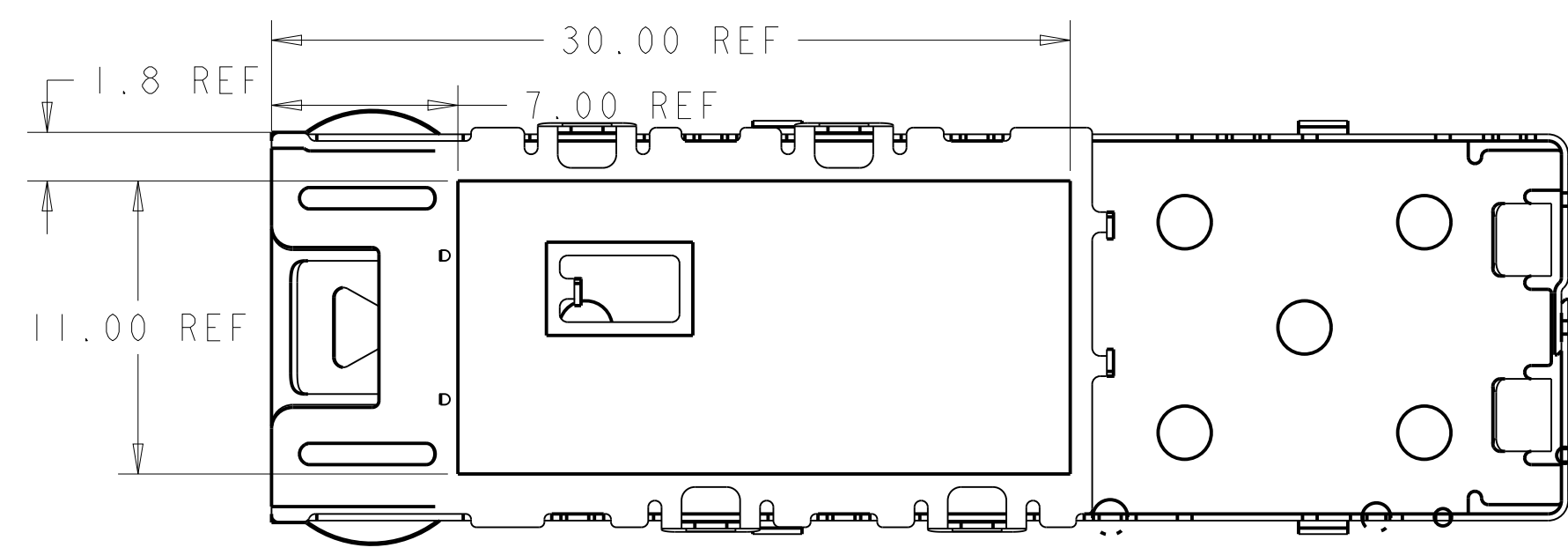
2007198-5 AS SHOWN WITH INSULATING TAPE



2007198-7  
 SAME AS 2007198-2 EXCEPT AS SHOWN  
 TOP VIEW



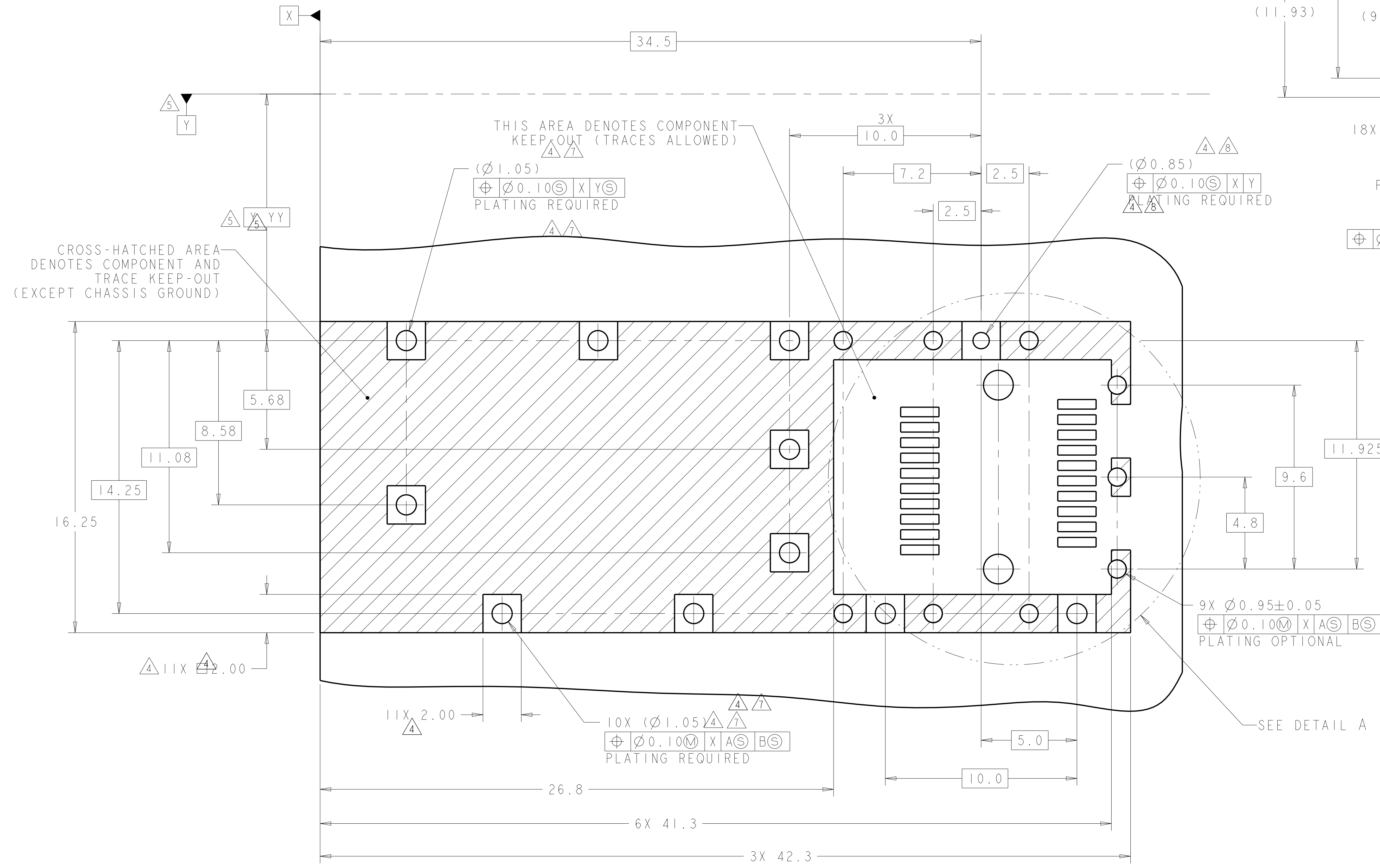
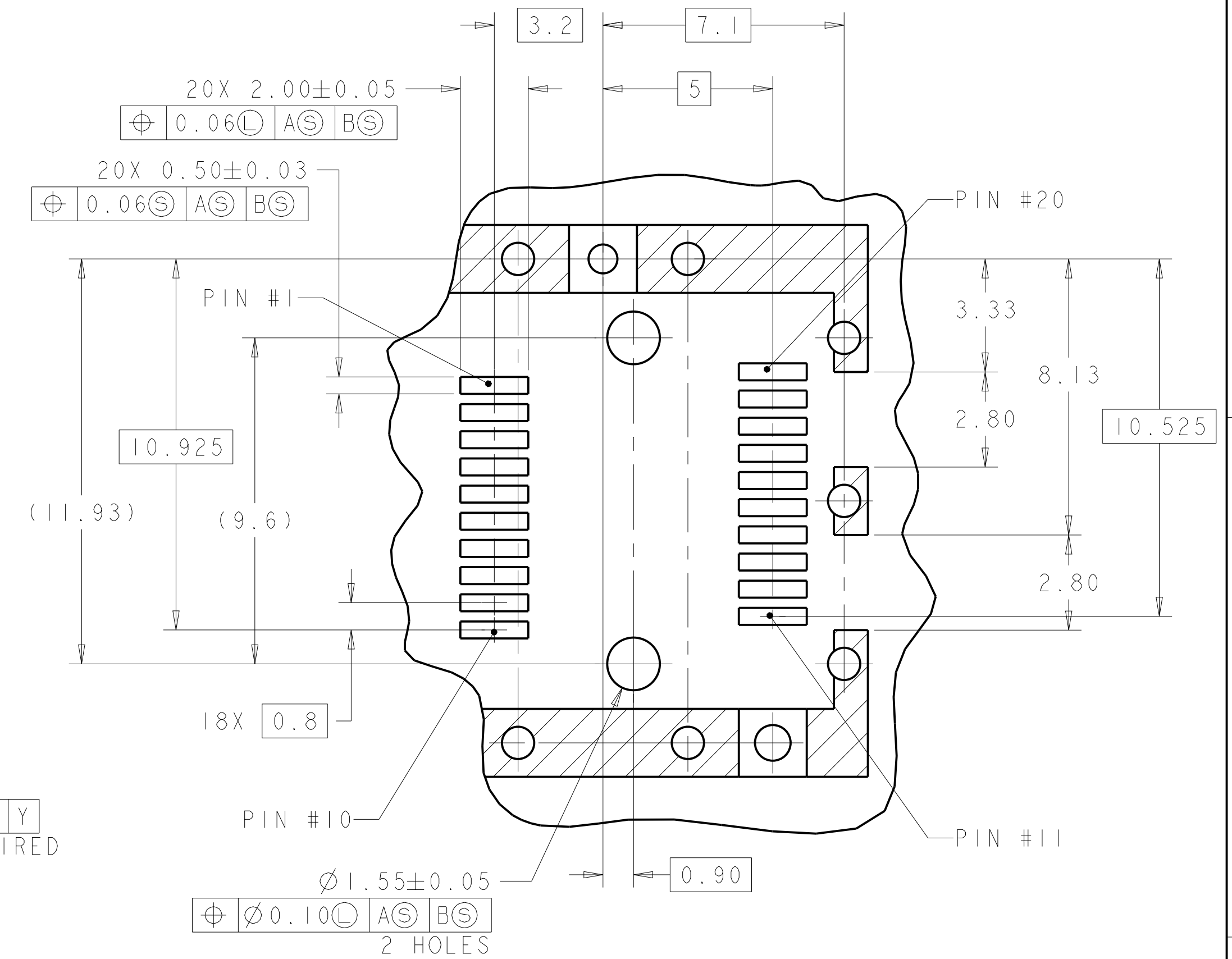
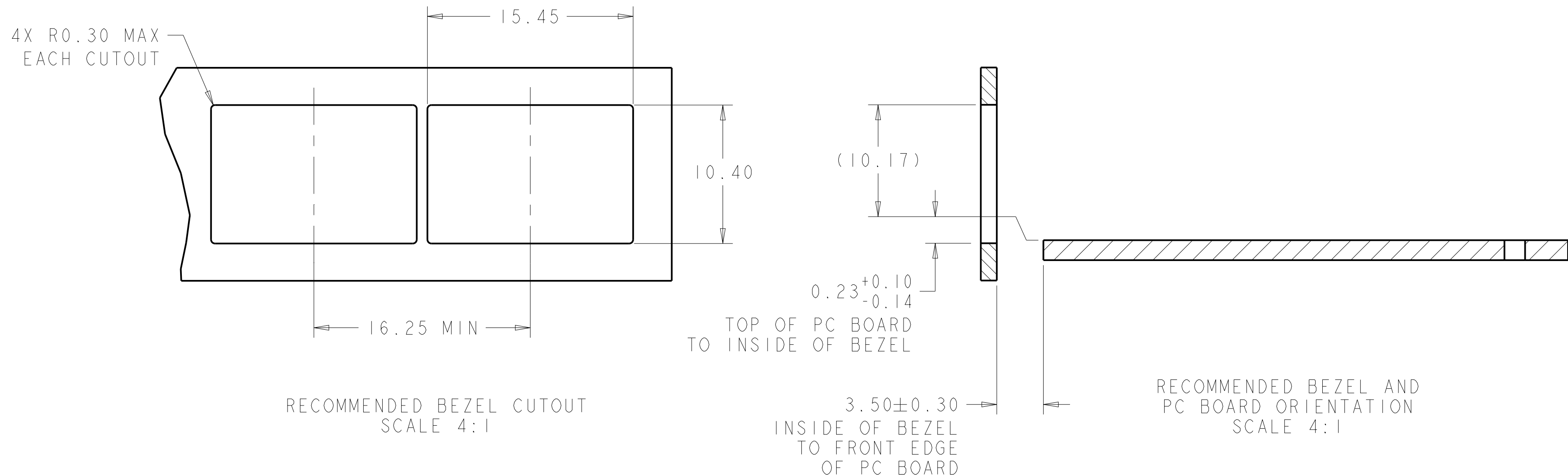
DETAIL C  
 SCALE 15:1



SCALE 4:1  
 2007198-5 AS SHOWN THE LOCATION OF THE TAPE

THIS DRAWING IS A CONTROLLED DOCUMENT.		DMN M. SCHMITT 07JUN07	<b>STE</b> TE Connectivity
DIMENSIONS: mm		CHK M. SCHMITT 07JUN07	
TOLERANCES UNLESS OTHERWISE SPECIFIED:		APVD B. WERTZ 07JUN07	NAME SFP+ IXI CAGE ASSEMBLY, PRESS-FIT PRESS-FIT, EMI SPRINGS
0 PLC ±0.1	1 PLC ±0.1	PRODUCT SPEC 108-2364	SIZE CAGE CODE DRAWING NO RESTRICTED TO
2 PLC ±0.1	3 PLC ±0.1	APPLICATION SPEC 114-13120	A1 00779C=2007198
4 PLC ±0.05	ANGLES ±0.05	WEIGHT	SCALE 6:1 SHEET 2 OF 4 REV C.3
MATERIAL FINISH		Customer Drawing	

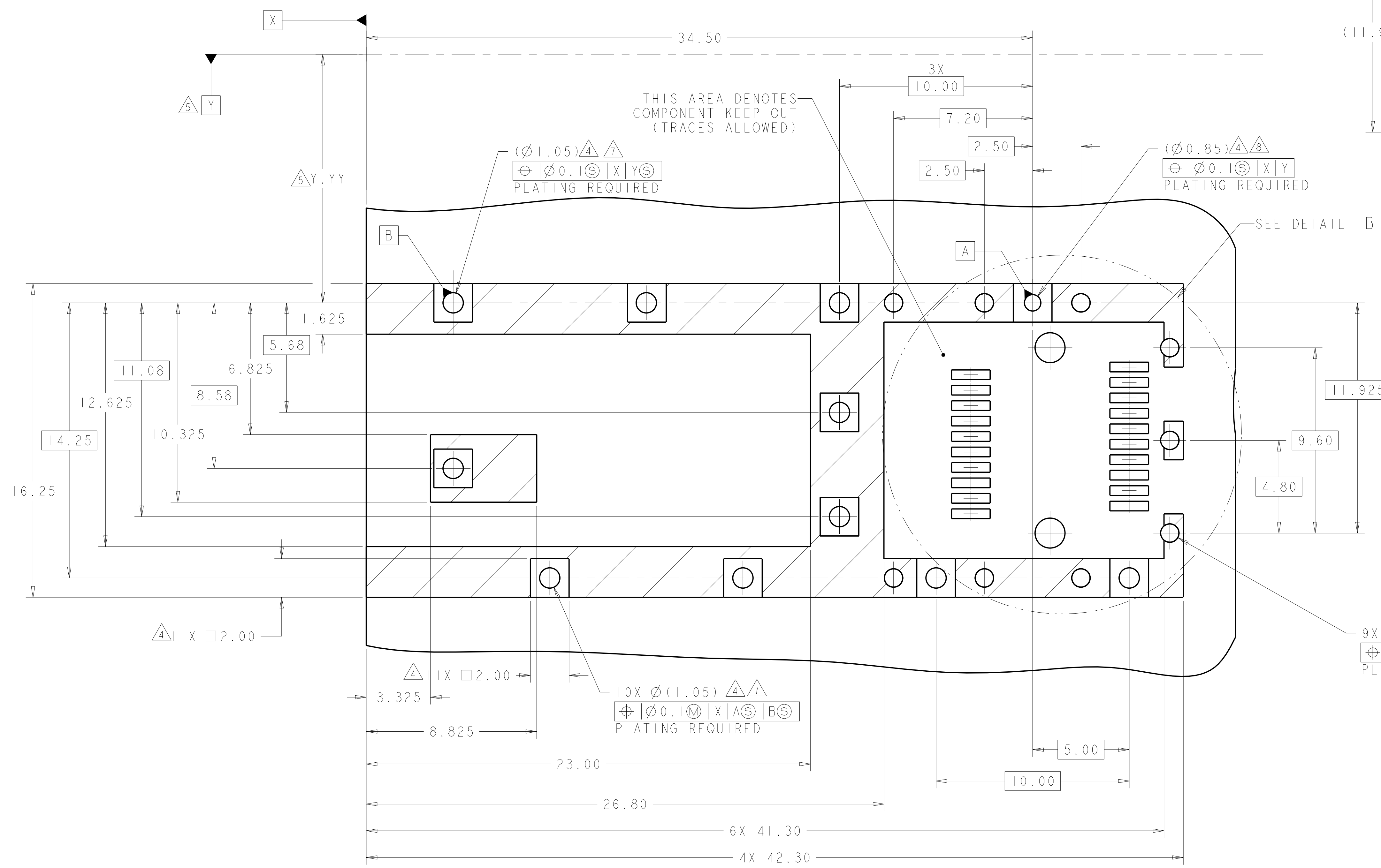
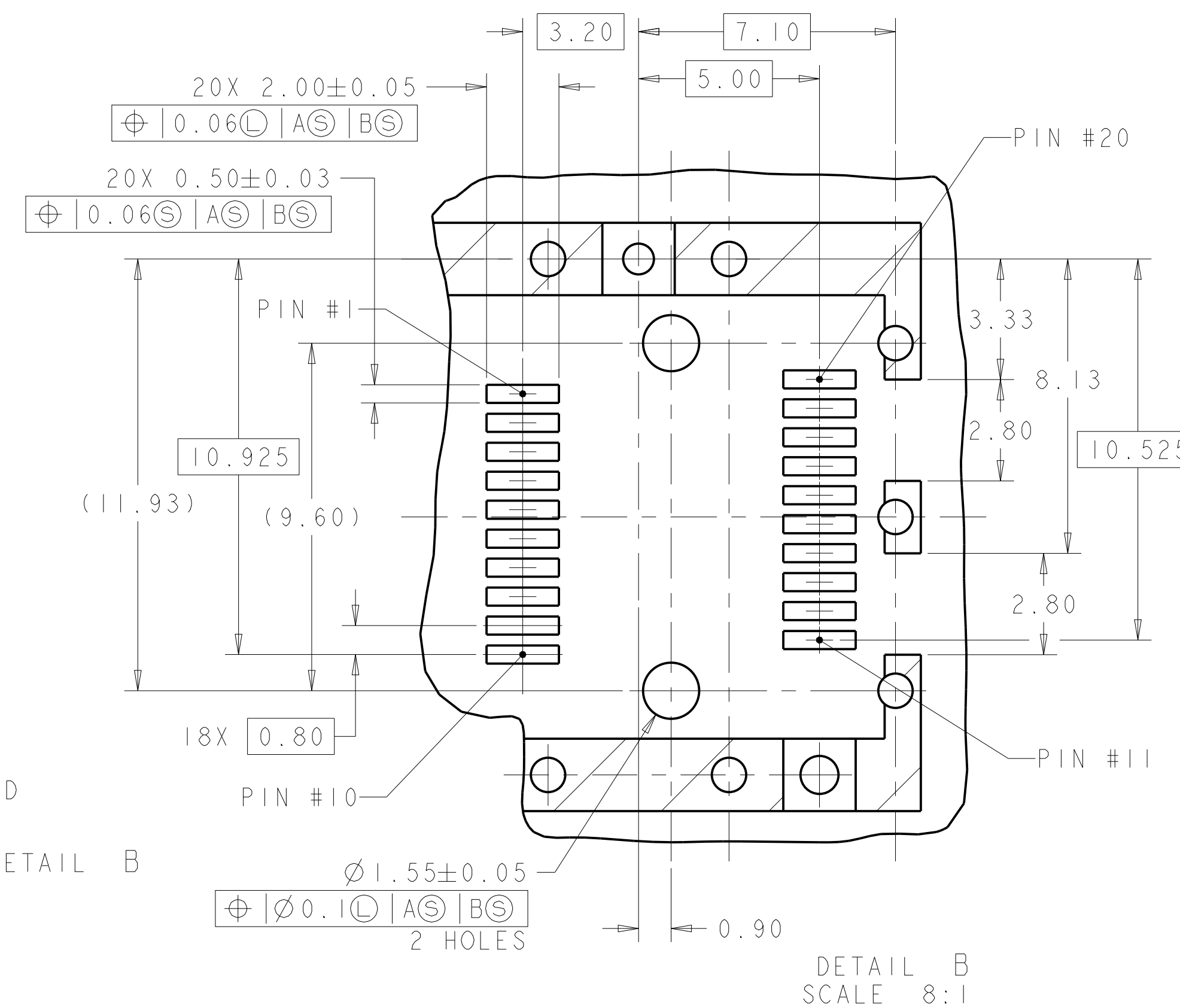
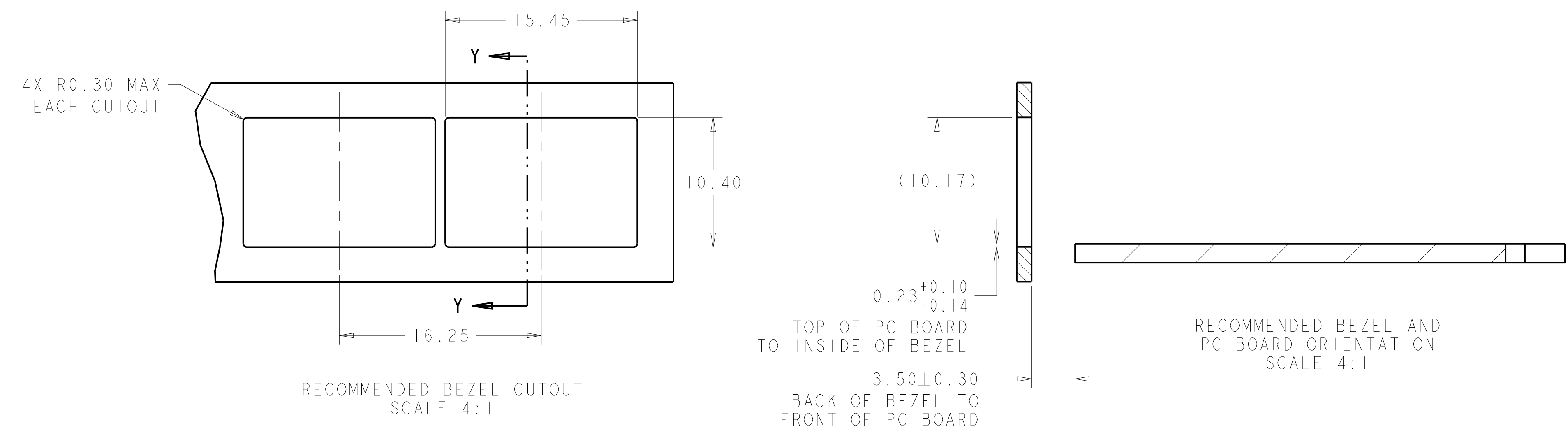
LOC	DIST	REV	DATE	BY	APPV
GP	00				



RECOMMENDED PCB LAYOUT SCALE 8:1

THIS DRAWING IS A CONTROLLED DOCUMENT.		OWN M. SCHMITT 07JUN07	TE Connectivity
DIMENSIONS: mm		CHK M. SCHMITT 07JUN07	
TOLERANCES UNLESS OTHERWISE SPECIFIED:		APV B. WERTZ 07JUN07	NAME SFP+ IXI CAGE ASSEMBLY, PRESS-FIT PRESS-FIT, EMI SPRINGS
0 PLC	±0.1	PRODUCT SPEC	SIZE A100779C=2007198
1 PLC	±0.1	108-2364	RESTRICTED TO
2 PLC	±0.1	APPLICATION SPEC	
3 PLC	±0.05	114-13120	
4 PLC	±0.05	WEIGHT	
ANGLES	±0.05	Customer Drawing	SCALE 6:1 SHEET 3 OF 4 REV C3

LOC	DIST	REV	DATE	APP'D	REVISED
GP	00				
		DESCRIPTION	DATE	OWN	APPR
		SEE SHEET 1			



RECOMMENDED PCB LAYOUT FOR WITH INSULATING TAPE PART SCALE 8:1

THIS DRAWING IS A CONTROLLED DOCUMENT.		OWN M. SCHMITT 07JUN07	TE Connectivity
DIMENSIONS: mm		CHK M. SCHMITT 07JUN07	
TOLERANCES UNLESS OTHERWISE SPECIFIED:		APPR B. WERTZ 07JUN07	NAME SFP+ IXI CAGE ASSEMBLY, PRESS-FIT PRESS-FIT, EMI SPRINGS WITH HEATSINK
0 PLC ±0.1		PRODUCT SPEC 108-2364	SIZE CAGE CODE DRAWING NO. A100779C=2007198
1 PLC ±0.1		APPLICATION SPEC	RESTRICTED TO
2 PLC ±0.1		114-13120	SCALE 6:1 SHEET 4 OF 4 REV C3
3 PLC ±0.05		WEIGHT	
4 PLC ±0.05		Customer Drawing	
ANGLES			

# Mouser Electronics

Authorized Distributor

Click to View Pricing, Inventory, Delivery & Lifecycle Information:

[TE Connectivity:](#)

[2007198-2](#)