

THE INFORMATION CONTAINED IN THIS DRAWING IS THE SOLE PROPERTY OF BUD INDUSTRIES INC. ANY REPRODUCTION IN PART OR WHOLE WITHOUT THE WRITTEN PERMISSION OF BUD INDUSTRIES INC. IS PROHIBITED.

DWG. NO.	AN-2900
ISSUE	REVISIONS
(A)	UPDATED DRAWING 8-8-08 DAB

GASKETED COVER

SUPPLIED WITH (4)
M4x.7 x .79" LG.
FLAT HEAD MACHINE
SCREWS TO ATTACH
COVER TO BODY

BODY

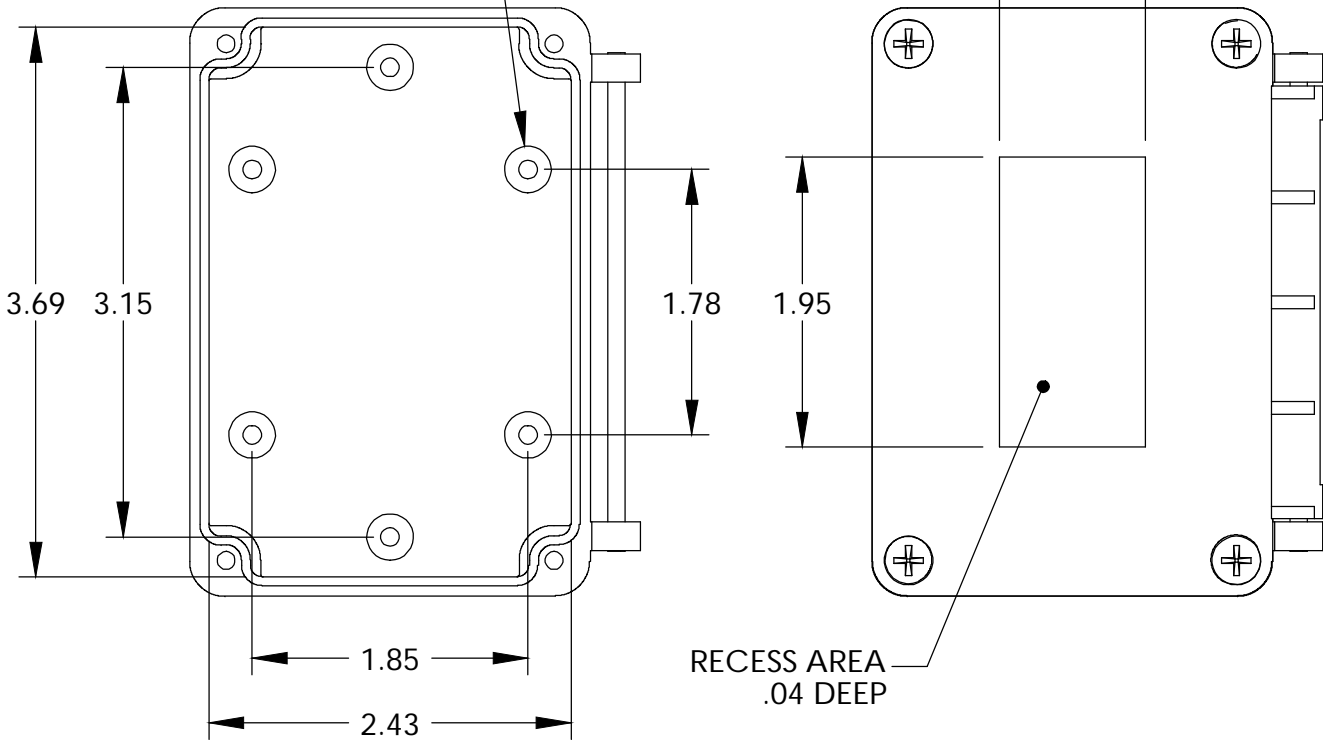
Ø.31 BOSS WITH
M4x.7 TAPPED HOLE
x .25 DEEP (6) PLACES

M4x.7 TAPPED HOLE
.40 DEEP IN BODY
(4) PLACES FOR WALL
MOUNT BRACKETS

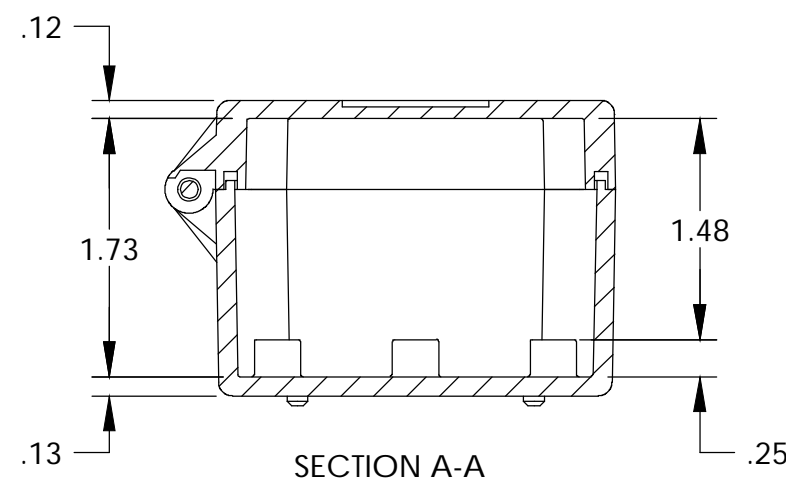
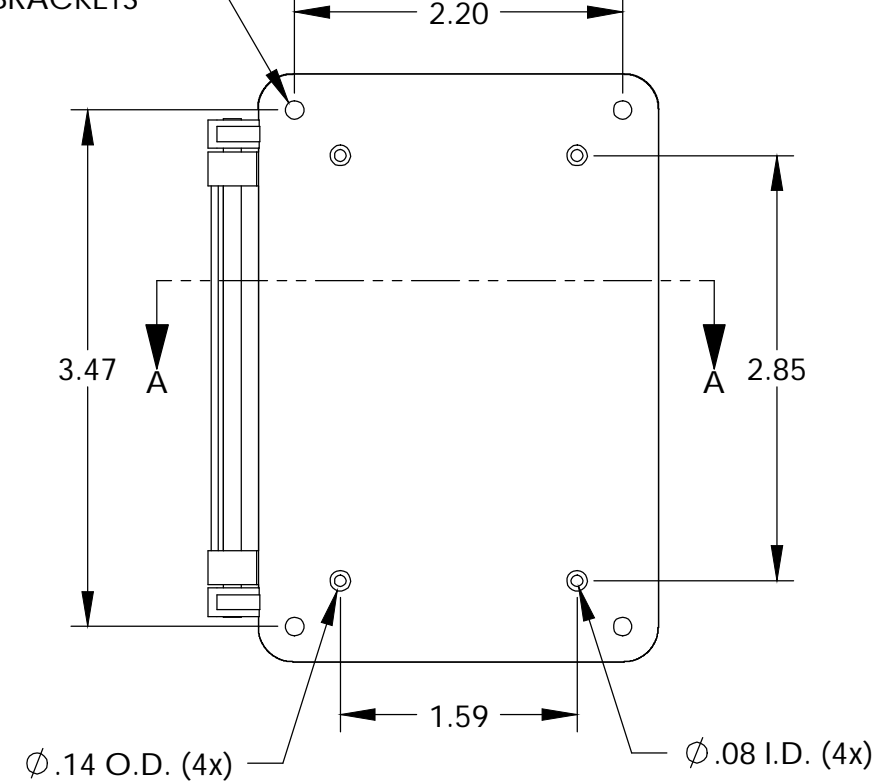
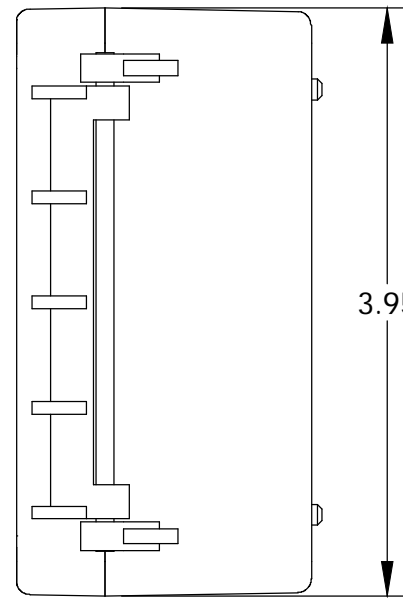
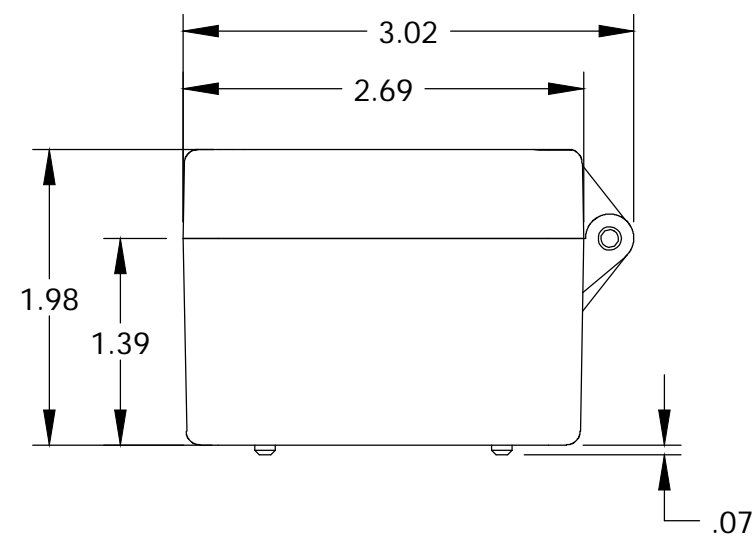
RECESS AREA
.04 DEEP

REFERENCE SHOWN WITH MOUNTING BRACKETS
ASSEMBLED (SHIPPED UNASSEMBLED AND
SUPPLIED WITH M4x.7 x .33" LG. PAN HD. SCREWS)

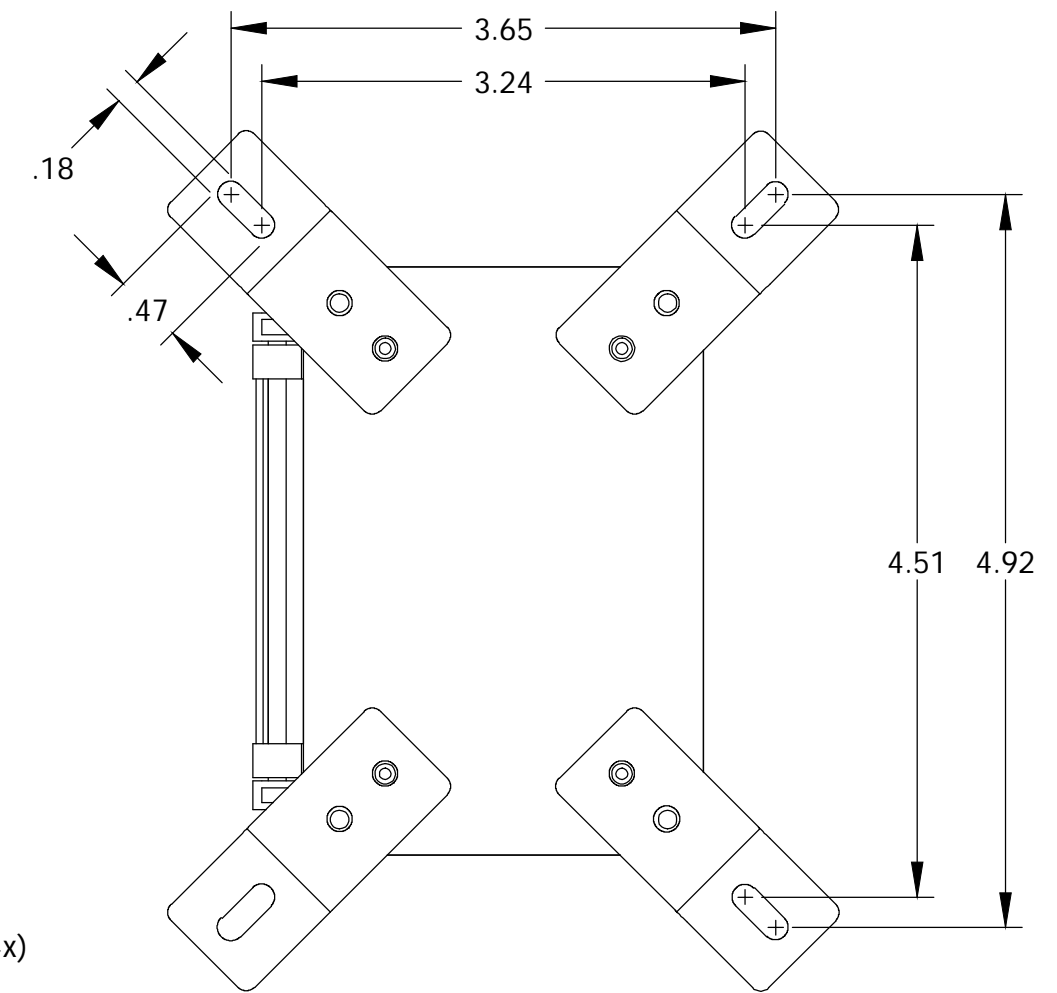
MATERIAL: ALUMINUM ADC-12
FINISH: SMOOTH BLACK POWDERCOAT



VIEW LESS COVER



SECTION A-A



REFERENCE SHOWN WITH MOUNTING BRACKETS
ASSEMBLED (SHIPPED UNASSEMBLED AND
SUPPLIED WITH M4x.7 x .33" LG. PAN HD. SCREWS)

MATERIAL: ALUMINUM ADC-12
FINISH: SMOOTH BLACK POWDERCOAT

PARTS LIST

+/- .005 BETWEEN HOLE CENTERS +/- .015 FROM SHEARED EDGE +/- .032 FROM A BENT SURFACE +/- .062 BETWEEN ASSEMBLED SURFACES UNLESS OTHERWISE SPECIFIED MATERIAL FINISH AS NOTED AS NOTED DO NOT SCALE DRAWING	CAD GENERATED DRAWING. DO NOT MANUALLY UPDATE		BUD INDUSTRIES INC.	
	APPROVALS	DATE	NEMA HINGED BOX	
	DRAWN DP	5/31/05		
	CHECKED		DWG. NO. AN-2900	REV.
QTY.	USED ON	SCALE C	CAD FILE:	SHEET 1 OF 1

Mouser Electronics

Authorized Distributor

Click to View Pricing, Inventory, Delivery & Lifecycle Information:

[Bud Industries:](#)

[AN-2900](#)