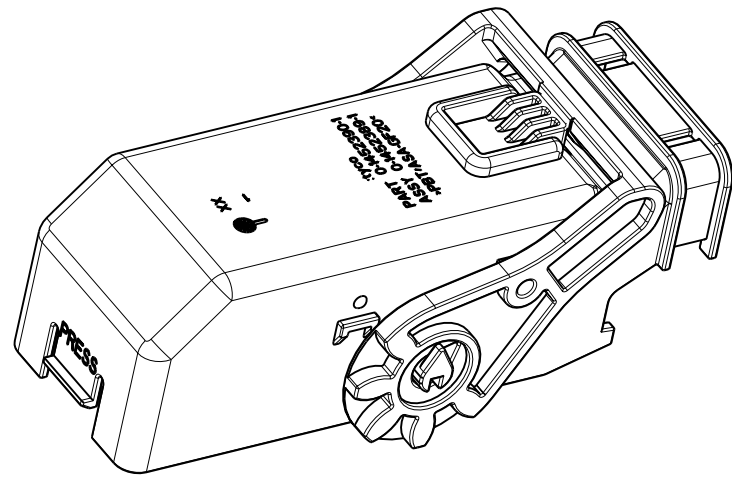
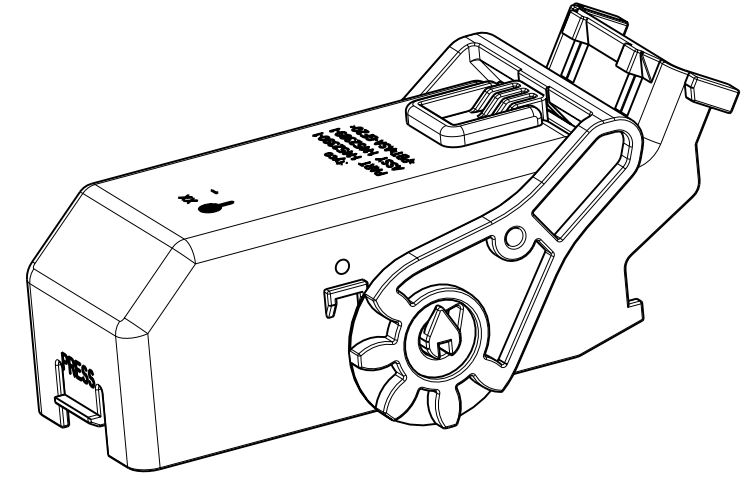
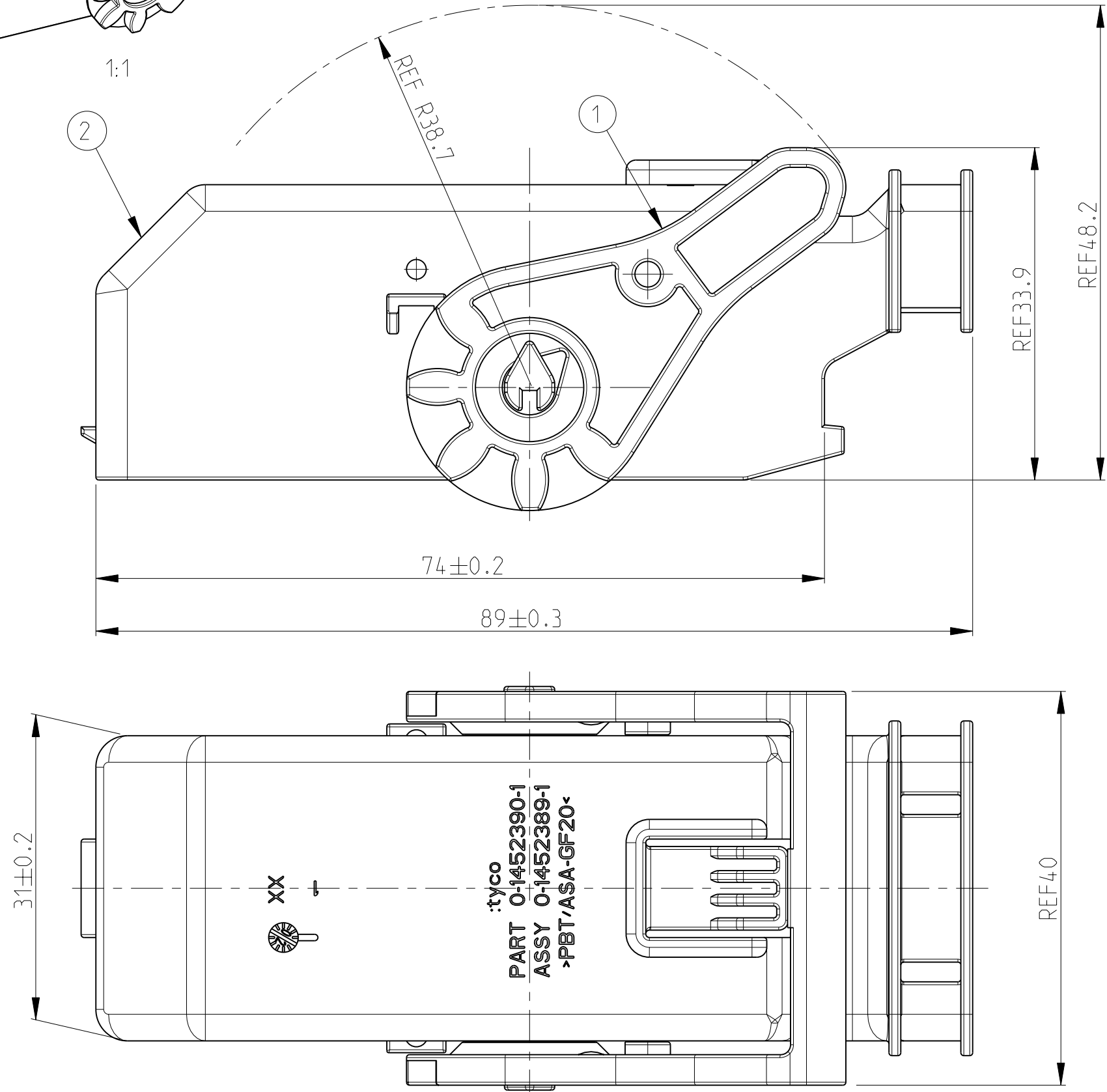


THIS DRAWING IS UNPUBLISHED.  
 VERTRAULICHE UNVERÖFFENTLICHTE ZEICHNUNG  
 RELEASED FOR PUBLICATION  
 FREI FUER VERÖFFENTLICHUNG  
 2002  
 MATED WITH:  
 PASSEND ZU:  
 © COPYRIGHT 2002 BY TYCO ELECTRONICS CORPORATION. ALL RIGHTS RESERVED.  
 ALLE RECHTE VORBEHALTEN

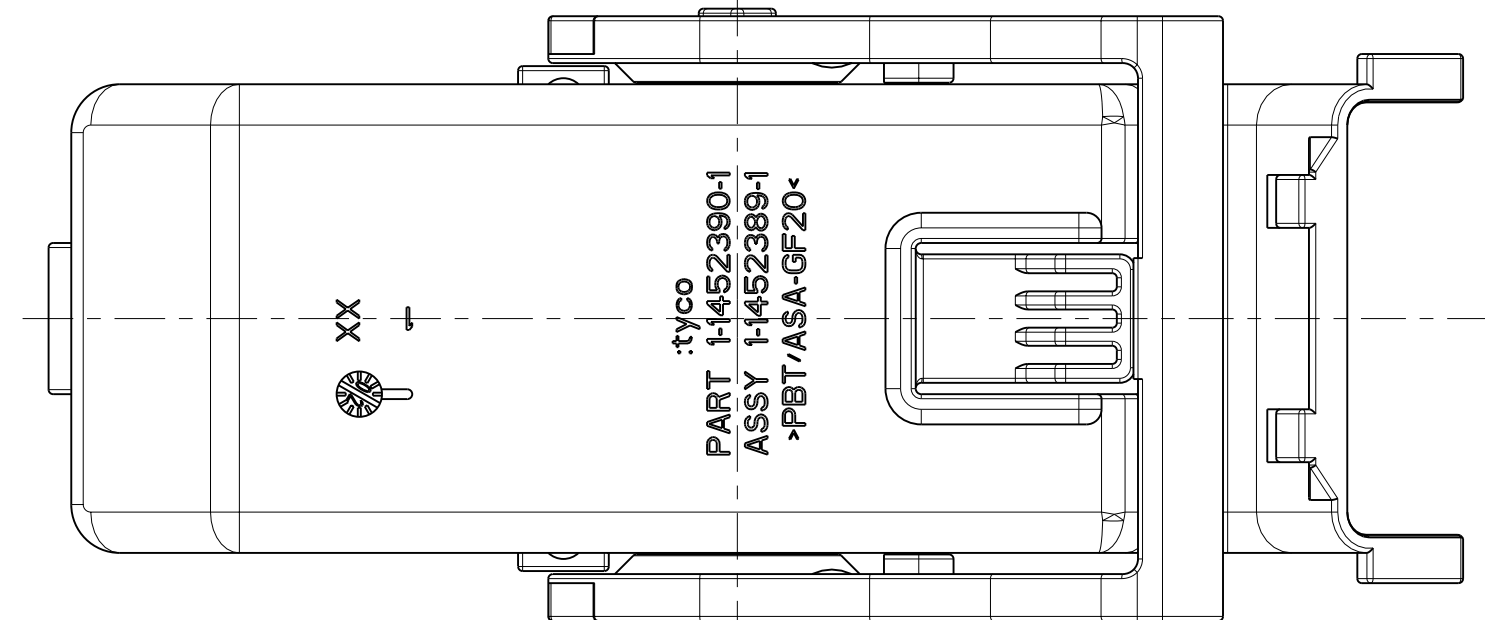
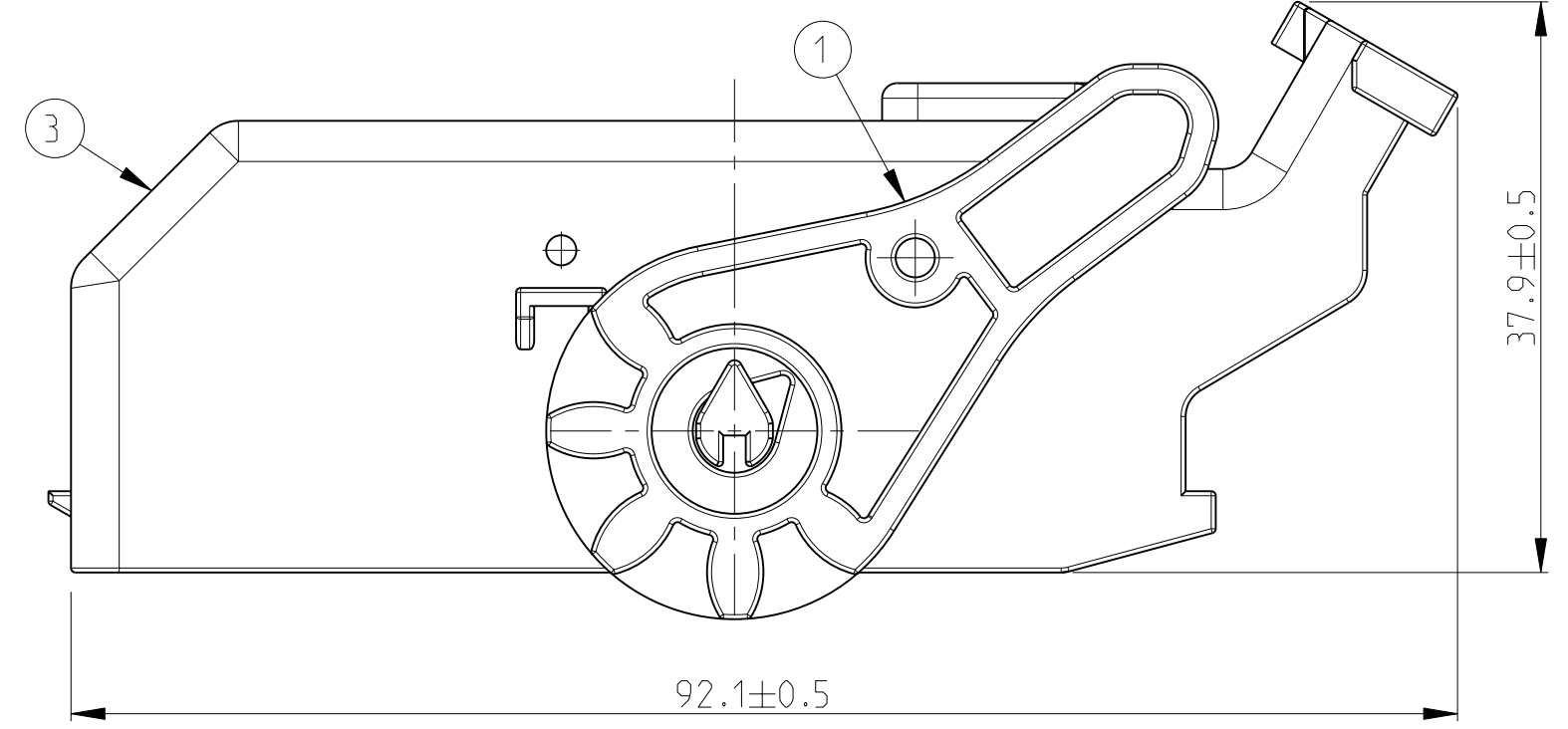
| LOC          | DIST | REVISIONS |               |             |           |     |      |
|--------------|------|-----------|---------------|-------------|-----------|-----|------|
| A1           | -    | P         | LTR           | DESCRIPTION | DATE      | DWN | APVD |
| PROJEKT NR.: |      | B         | EG00-4163-02  |             | 21JAN2003 | GP  | GM   |
|              |      | C         | EG00-0248-03  |             | 13FEB2003 | GP  | GM   |
|              |      | D         | EGA0-0850-03  |             | 05DEC2003 | GP  | GM   |
|              |      | D1        | ECR 09-008099 |             | 09APR2009 | HKE | ASC  |



**VERSION 90°**  
**0-1452389-1**



**VERSION 150°**  
**1-1452389-1**



| MATED WITH<br>verwendet mit | 1563173           | 1563173     |                             |     |                         |        |         |
|-----------------------------|-------------------|-------------|-----------------------------|-----|-------------------------|--------|---------|
|                             | 1452380           | 1452380     |                             |     |                         |        |         |
|                             | 1452419           | 1452419     |                             |     |                         |        |         |
|                             | 1x                |             | PBT/ASA-GF20                | D   | 96 POS. CON. COVER 150° | BLACK  | 3       |
|                             |                   | 1x          | PBT/ASA-GF20                | D   | 96 POS. CON. COVER 90°  | BLACK  | 2       |
|                             | 1x                | 1x          | PBT-GF20                    | B   | 96 POS. CON. LEVER      | RED    | 1       |
|                             | 1-1452389-1       | 0-1452389-1 | MATERIAL                    | REV | DESCRIPTION             | COLOUR | ITEM NO |
|                             | 20.7              | 20.7        | WEIGHT OF EACH ASSY. NO (g) |     |                         |        |         |
| QTY REQD PER ASSY           | QTY REQD PER ASSY | PARTS LIST  |                             |     |                         |        |         |

NOTE:  
 Bemerkungen:  
 1 ASSY DELIVERED WITH LEVER IN ENDOCKED POSITION  
 Anlieferungszustand: Hebel in Endraststellung

|   |  |   |  |  |
|---|--|---|--|--|
| <small>THIS DRAWING IS A CONTROLLED DOCUMENT FOR TYCO ELECTRONICS CORPORATION. IT IS SUBJECT TO CHANGE AND THE CONTROLLING ENGINEERING ORGANIZATION SHOULD BE CONTACTED FOR THE LATEST REVISION.</small><br><small>DIESSES ZEICHNUNGSDOKUMENT WIRD DURCH AMP INCORPORATED KONTROLLIERT. ANDERÄNDERUNGEN, DIE DEM TECHNISCHEN FORTSCHRITT DIENEN, SIND VORBEHALTEN. DEN JEWELIS LETZTGÜLTIGEN ÄNDERUNGSSTAND ERFAHREN SIE AUF ANFRAGE.</small> |  | DWN<br>K.ROTH<br>12MAR2002                            | Tyco Electronics AMP GmbH<br>D - 64625 Bensheim            |  |
| <small>DIMENSIONS:<br/>MASSEINHEITEN:<br/>[mm]</small>  |  | CHK<br>S.DENTER<br>12MAR2002                          | NAME<br>96 POS. CONNECTOR COVER ASSY.<br>FOR 154 POS. CON. |  |
| <small>TOLERANCES UNLESS OTHERWISE SPECIFIED:<br/>ALLGEMEINTOLERANZEN</small><br>0 PLC ±<br>1 PLC ±<br>2 PLC ±<br>3 PLC ±<br>4 PLC ±  |  | APVD<br>G.MUMPER<br>12MAR2002                         | SIZE<br>A2   |  |
| <small>ANGLES/WINKEL ±1°<br/>FINISH/OBERFLÄCHE/FARBE</small>  |  | APPLICATION SPEC<br>VERARBEITUNGSSPEZ.<br>114-18534-1 | CAGE CODE<br>00779   | DRAWING NO.<br>ZEICHNUNGS-NR.<br>1452389 |
| MATERIAL  |  | WEIGHT<br>GEWICHT                                     | SCALE<br>MASSSTAB  | SHEET<br>BLATT                           |
|   |  | CUSTOMER DRAWING                                      | /KUNDENZEICHNUNG   | REV. 01                                  |

# Mouser Electronics

Authorized Distributor

Click to View Pricing, Inventory, Delivery & Lifecycle Information:

[TE Connectivity:](#)

[1-1452389-1](#)