

1

2

3

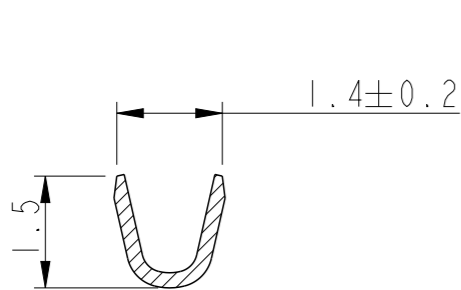
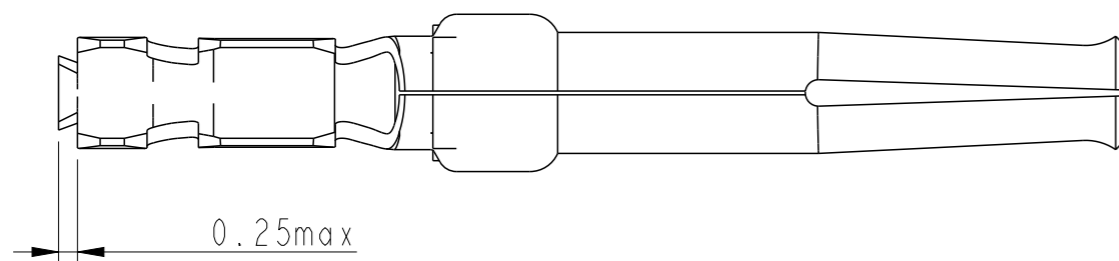
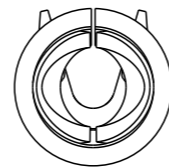
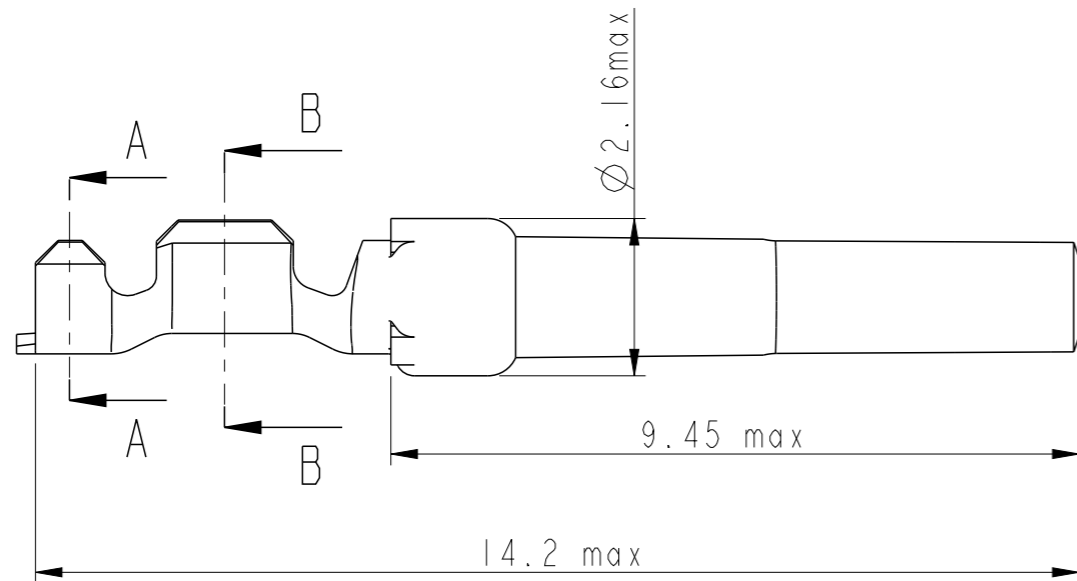
4

NOTES:

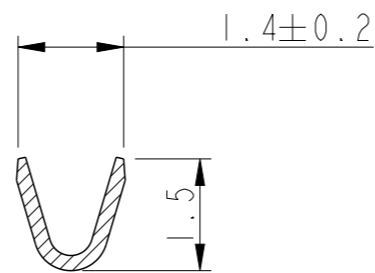
- 1-Material:phosphor bronze,thickness 0.20
- 2-Finish on contact area:see table
finish on termination:bright tin over nickel
- 3-Wire range:24 to 28 AWG
- 4-Max outer dia of wire insulator:1.02 mm
- 5-Current carrying capacity per contact:
 - 3.Amps max when crimped to #24 AWG
 - 2 Amps max when crimped to #26 AWG
 - 1 Amps max when crimped to #28 AWG
- 6-After 5 insertions into connector,
contact retention must be 5 pounds axial load min
- 7-When contact is crimped to 24 AWG,the insulation
support crimped height must be 1.78 mm max to ensure
a proper insertion into housing
- 8-Reel should be continuous without any contacts
missing in between
- 9-Packaging:Reel of 400 contacts

NOTE : ROHS INFORMATIONS

The LF products meet European union directives and other
country regulations as described in GS-22-008
Terminations plating spec : 2um Nickel min + 2um Sn min
Packaging Spec : see GS-14-920



SECTION A-A



SECTION B-B

| PART NUMBER | PLATING |
|----------------------|---------------|
| 86563004065LF | 0.76μ Au /GXT |
| 86563004065 | 0.76μ Au/ GXT |
| 86563004064LF | Flash Au |
| 86563004064 | Flash Au |

| | | | | |
|---------------------------------------|---------|-------------------------|-----------------------------------|-------------------------|
| www.fciconnect.com | | surface - ✓ ISO 1302 | tolerance std ISO 406 ISO 1101 | projection mm |
| TOLERANCES UNLESS OTHERWISE SPECIFIED | | | | |
| Dr | C JARRY | 28/01/97 | ANGULAR | 0.X ±0.3 |
| Eng | | | LINEAR | 0.XX ±0.1 |
| Chr | | | 0° ±2° | 0.XXX ±0.05 |
| Appr | | | Product family | size A3 ECN 111-0003 |
| FCi CRIMP SOCKET | | | | Spec ref |
| #Wire 24-28 Ø1.02 max | | | dwg no | C01-8656-0426 |
| catalog no | | | customer | Rev. J |
| | | | sheet 1 of 1 | |

| rev | ecn no | dr | date |
|-----|-----------|-----|------------|
| D | LS06-196 | MPE | 27/11/2006 |
| E | LS08-0127 | MPE | 13/05/2008 |
| F | LS08-0167 | MPE | 2008/08/05 |
| G | 109-0152 | AMR | 2009-07-27 |
| H | 110-0070 | AMR | 2010-03-09 |
| J | 111-0003 | AMR | 2011-01-06 |
| - | - | - | - |

1

2

3



Copyright FCI.

Mouser Electronics

Authorized Distributor

Click to View Pricing, Inventory, Delivery & Lifecycle Information:

[FCI / Amphenol:](#)

[86563004064LF](#) [86563004065LF](#)