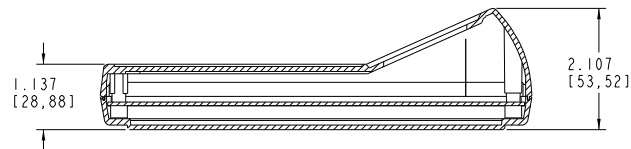
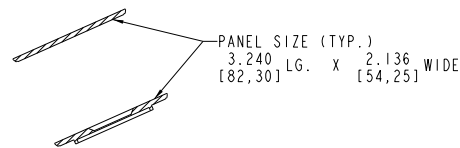
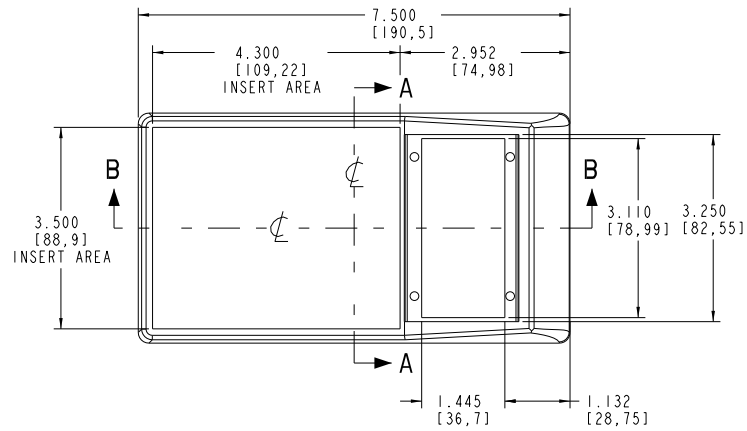
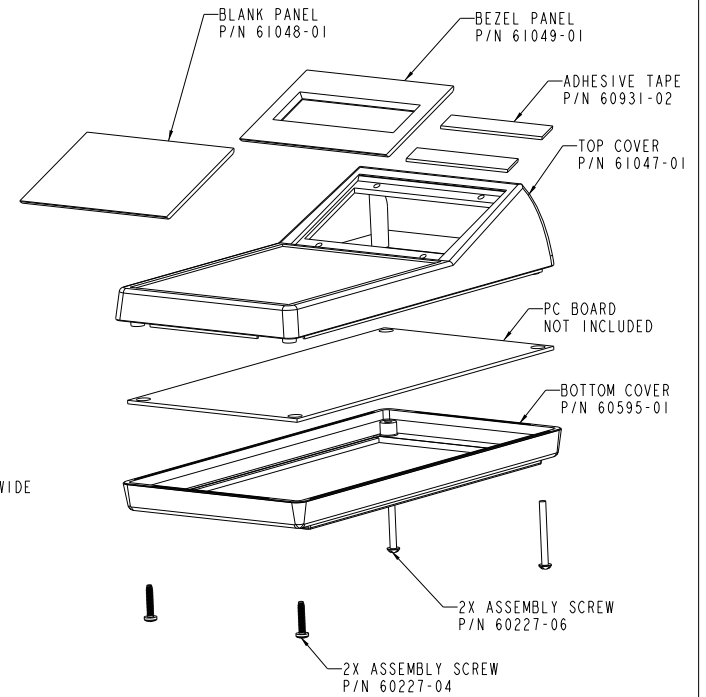
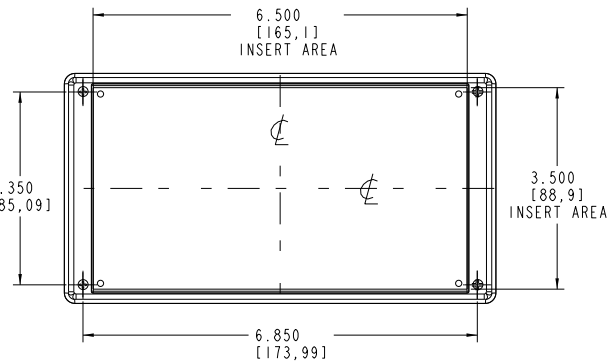
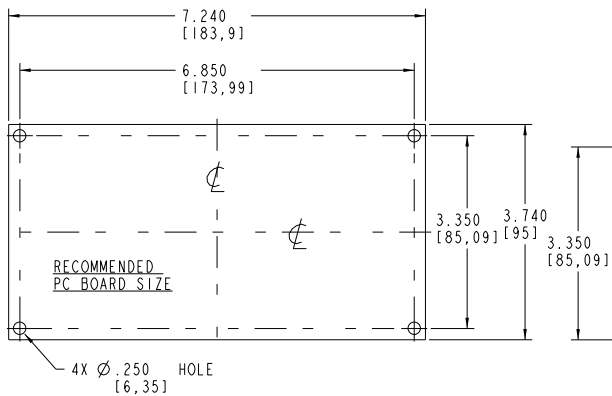


SECTION A-A



SECTION B-B



PACNTEC®
1-610-361-4200

HPLS

VISIT **PACNTEC®**
ON THE WORLD WIDE WEB
www.pactecenclosures.com

COLOR / MATERIAL CODE		
COLOR	94HB	94VO
BLACK	000	028
P.C. BONE	039	060

DRAWING NUMBER	REV
61638	B

Mouser Electronics

Authorized Distributor

Click to View Pricing, Inventory, Delivery & Lifecycle Information:

[PacTec:](#)

[61048-01-00](#) [62066-501-039 K-HPLS-BONE](#) [61048-01-000](#)