

4

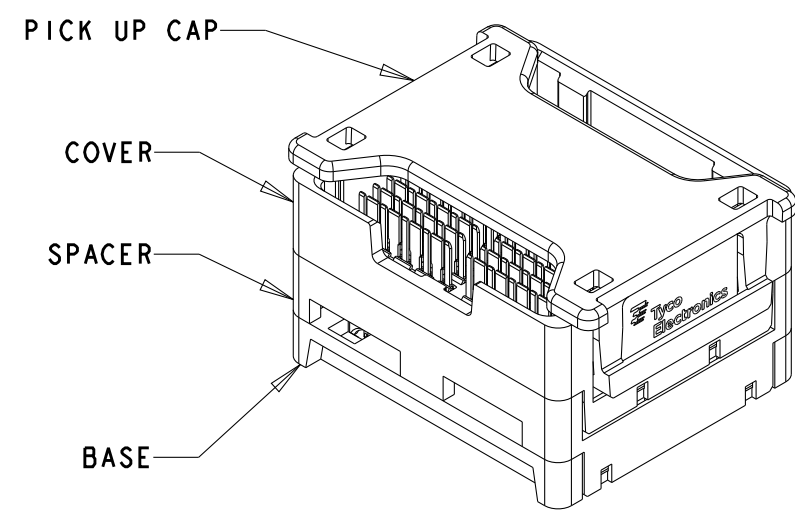
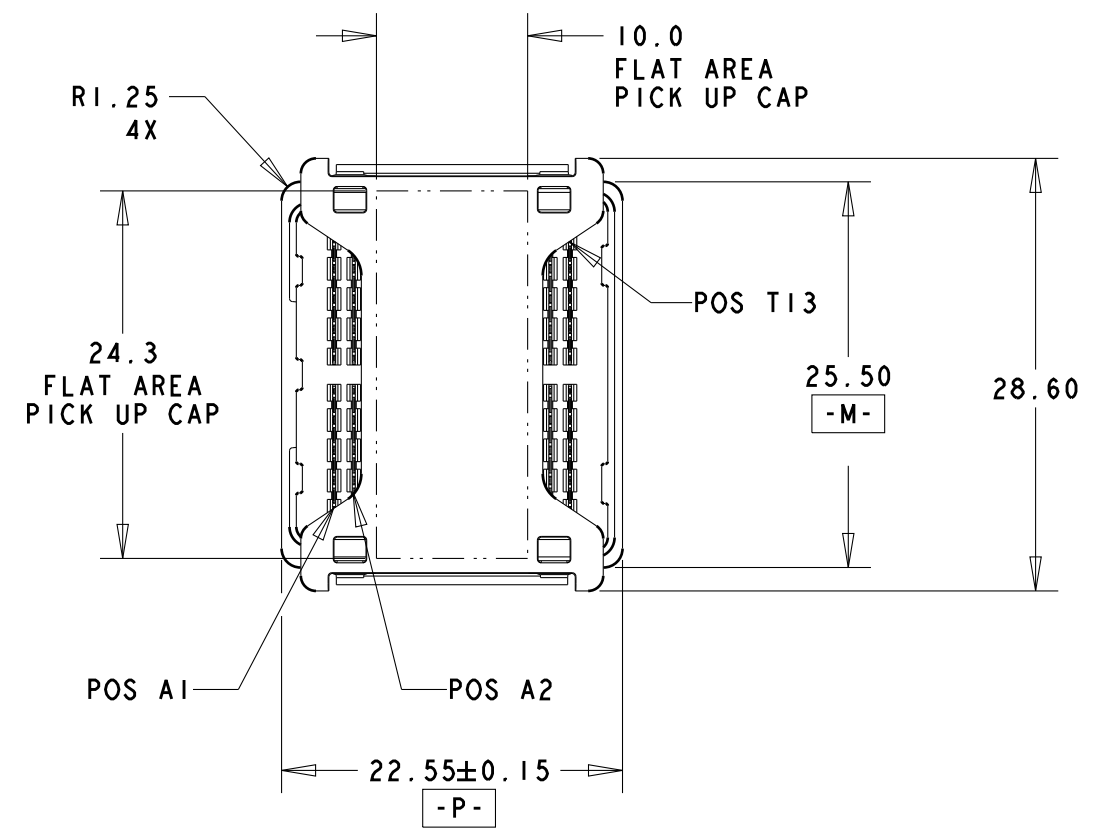
3

2

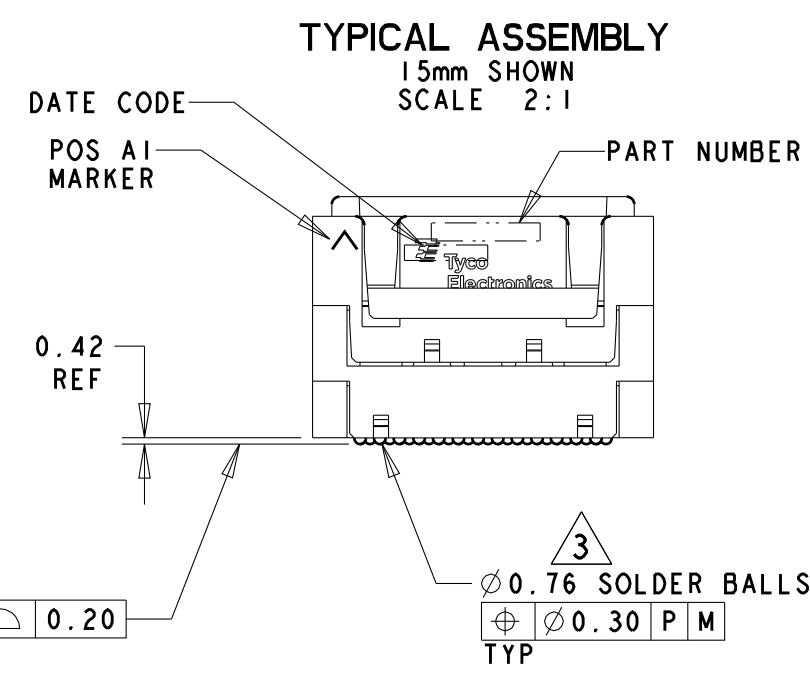
1

THIS DRAWING IS UNPUBLISHED. RELEASED FOR PUBLICATION 20
© COPYRIGHT 20 BY TYCO ELECTRONICS CORPORATION, ALL RIGHTS RESERVED.

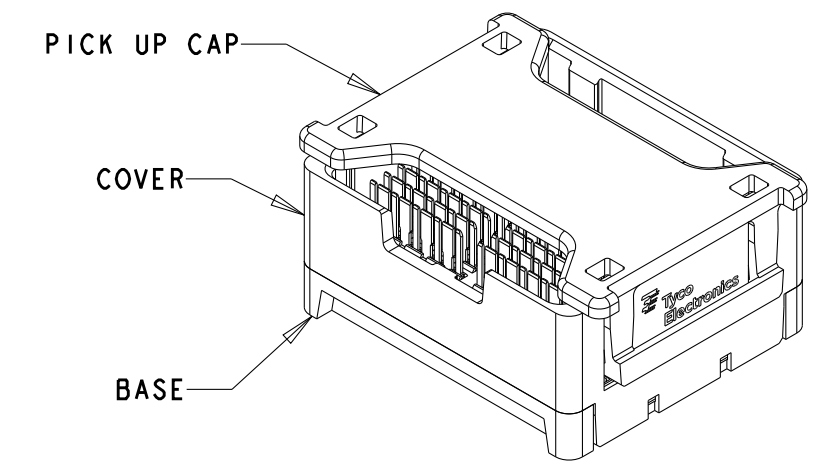
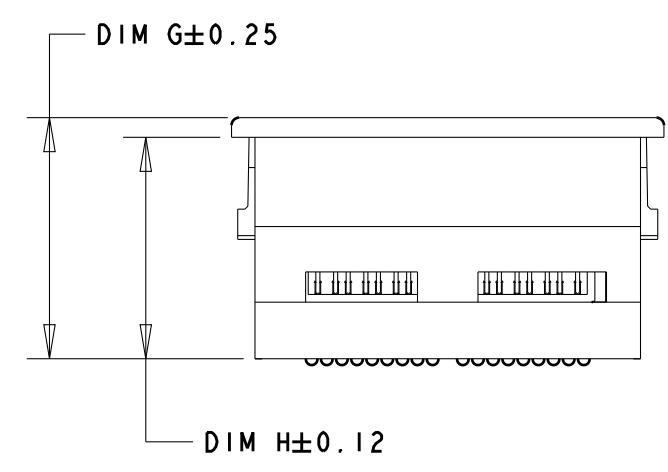
LOC	DIST	REVISIONS			
P	LTR	DESCRIPTION	DATE	DWN	APVD
DY	-	A2	REVISED PER ECR-10-013879	01JUL2010	SYJ LSF



ISOMETRIC VIEW
TYPICAL CONFIGURATION FOR
15mm & 20mm ASSEMBLY
SCALE 2:1



TYPICAL ASSEMBLY
15mm SHOWN
SCALE 2:1



ISOMETRIC VIEW
TYPICAL CONFIGURATION FOR
10mm, 12mm & 13mm ASSEMBLY
SCALE 2:1

<small>THIS DRAWING IS A CONTROLLED DOCUMENT FOR TYCO ELECTRONICS CORPORATION IT IS SUBJECT TO CHANGE AND THE CONTROLLING ENGINEERING ORGANIZATION SHOULD BE CONTACTED FOR THE LATEST REVISION.</small>		DWN P BRANDBERG 18JAN05 CHK D WERTZ 20JAN05 APVD D WERTZ 20JAN05		Tyco Electronics Singapore	
DIMENSIONS: mm 		TOLERANCES UNLESS OTHERWISE SPECIFIED: 0 PLC ±0.3 1 PLC ±0.10 2 PLC ±0.050 3 PLC ±0.050 4 PLC ANGLES ±2°		NAME STEP-Z, PLUG ASSEMBLY, 104 SIGNAL POSITION PRODUCT SPEC 108-2143 APPLICATION SPEC 114-13101 WEIGHT -	
MATERIAL 1 		FINISH 2 		SIZE A3 CAGE CODE 00779 DRAWING NO C-1761612 RESTRICTED TO -	
CUSTOMER DRAWING				SCALE - SHEET 1 OF 3 REV A2	

THIS DRAWING IS UNPUBLISHED.

RELEASED FOR PUBLICATION

20

© COPYRIGHT 20

BY TYCO ELECTRONICS CORPORATION, ALL RIGHTS RESERVED.

LOC	DIST	REVISIONS			
P	LTR	DESCRIPTION	DATE	DWN	APVD
	-	SEE SHEET 1	-	-	-

1 MATERIAL:
 BASE, SPACER, COVER: THERMOPLASTIC
 PICK UP CAP: THERMOPLASTIC
 CONTACT: COPPER ALLOY
 SOLDER BALL: Sn/Pb FOR P/N 1761612-1 THRU 5-1761612-0
 Sn/Ag FOR P/N 5-1761612-1 THRU 9-1761612-9

2 FINISH:
 CONTACT: 0.00076 MIN GOLD OVER 0.00127 MIN NICKEL.
 (30µ" MIN GOLD OVER 50µ" MIN NICKEL)

3 SOLDER BALLS WILL NOT BE PERFECT
 SPHERICAL SHAPE DUE TO REFLOW ATTACHMENT.


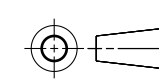
4 CONTACTS IN ROWS A,C,E,G,J,K,M,P,R, AND T
 ARE SINGLE BEAM CONTACTS,
 TYPICALLY USED AS GROUND PINS.
 (NOTE: CONTACTS IN ROW J & K ARE TIED
 TOGETHER [COMMONED]).

5 CONTACTS IN ROWS B,D,F,H,L,N,O, AND S
 ARE DUAL BEAM CONTACTS,
 TYPICALLY USED AS SIGNAL PINS.

6 SPECIFIED POSITIONAL TOLERANCE DEFINES PAD TO PAD
 LOCATION WITHIN LAND PATTERN. POSITIONAL TOLERANCE
 OF LAND PATTERN TO FUDICIAL MARKS OR PCB DATUMS
 SHALL BE DEFINED BY CUSTOMER. FOR RECOMMENDED
 PRODUCT APPLICATION AND PCB DESIGN DETAILS, SEE
 APPLICATION SPEC 114-13101.

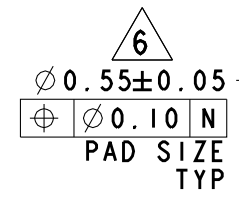
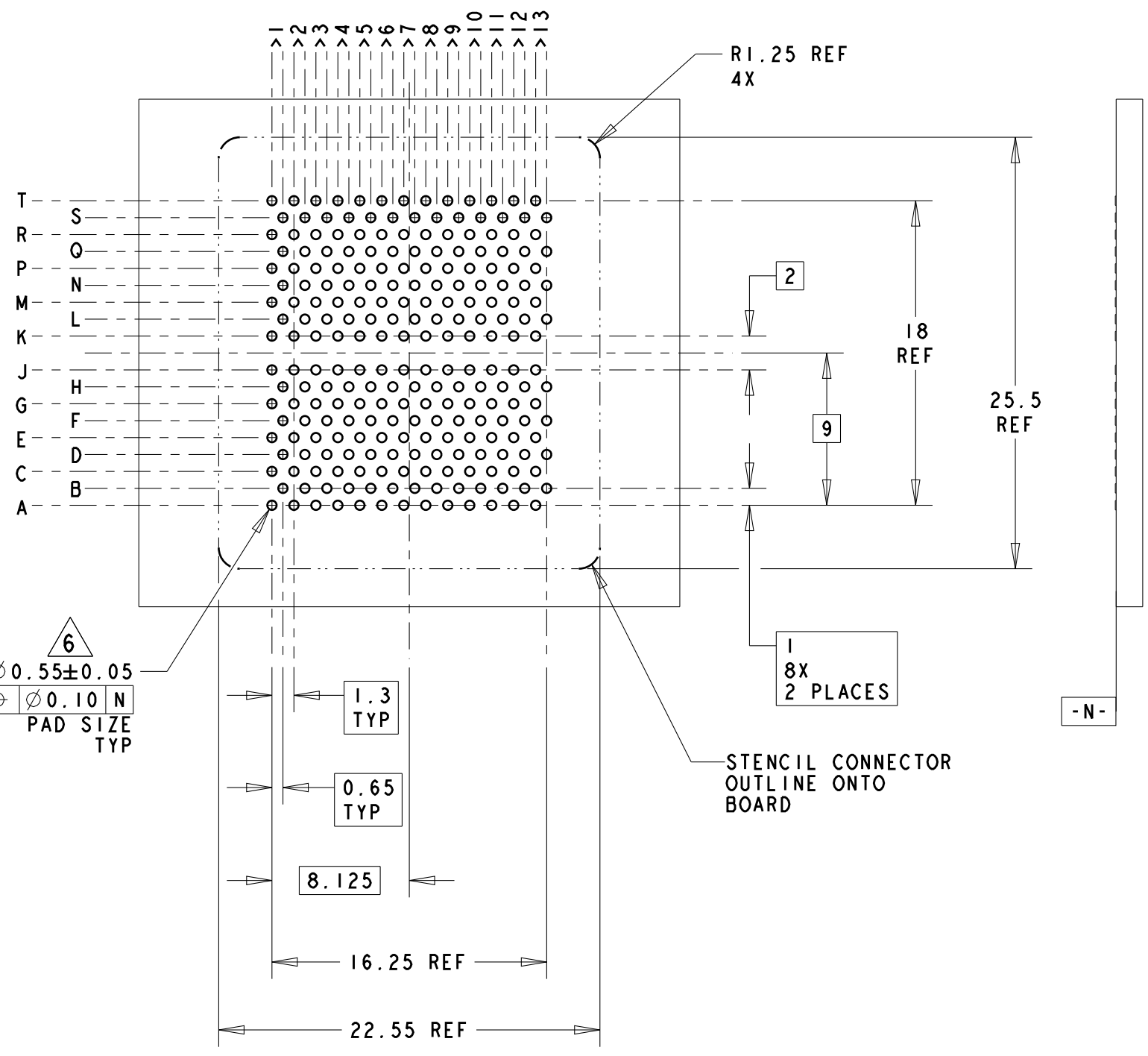
DIM H	DIM G	LOAD STYLE	DESCRIPTION	PART NUMBER
19.65	20.95	-	20mm Sn/Ag	7-1761612-0
14.65	15.95	-	15mm Sn/Ag	6-1761612-5
12.65	13.95	-	13mm Sn/Ag	6-1761612-3
11.65	12.95	-	12mm Sn/Ag	6-1761612-2
9.65	10.95	-	10mm Sn/Ag	6-1761612-0
19.65	20.95	-	20mm Sn/Pb	2-1761612-0
14.65	15.95	-	15mm Sn/Pb	1-1761612-5
12.65	13.95	-	13mm Sn/Pb	1-1761612-3
11.65	12.95	-	12mm Sn/Pb	1-1761612-2
9.65	10.95	-	10mm Sn/Pb	1-1761612-0

THIS DRAWING IS A CONTROLLED DOCUMENT FOR TYCO ELECTRONICS CORPORATION
 IT IS SUBJECT TO CHANGE AND THE CONTROLLING ENGINEERING ORGANIZATION
 SHOULD BE CONTACTED FOR THE LATEST REVISION.

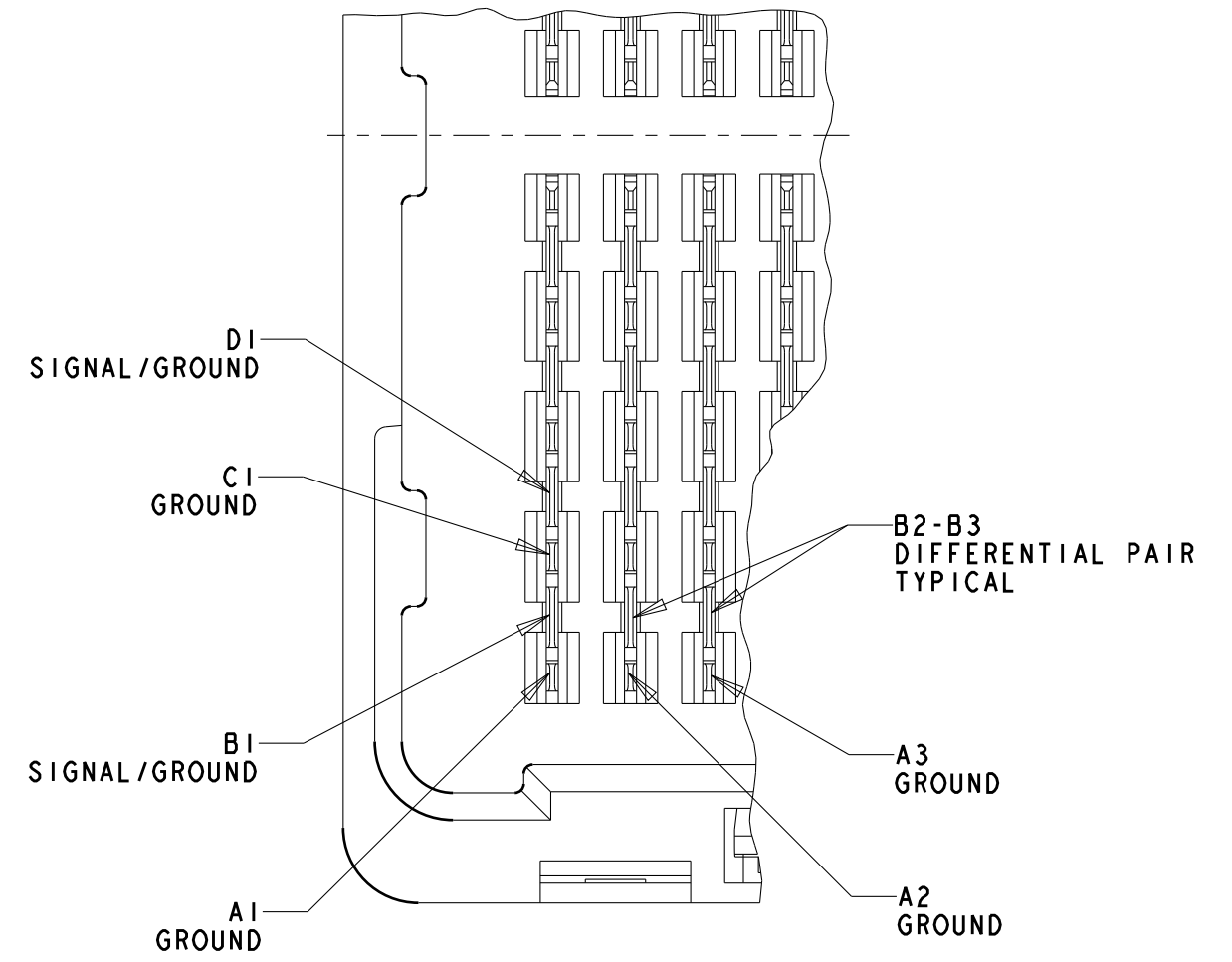
DIMENSIONS: mm	TOLERANCES UNLESS OTHERWISE SPECIFIED: 0 PLC ±. 1 PLC ±0.3 2 PLC ±0.10 3 PLC ±0.050 4 PLC ±. ANGLES ±2°	DWN P BRANDBERG 18 JAN 05	 Tyco Electronics Singapore
	MATERIAL -	CHK D WERTZ 20 JAN 05	
	FINISH -	APVD D WERTZ 20 JAN 05	
		PRODUCT SPEC -	NAME STEP-Z, PLUG ASSEMBLY, 104 SIGNAL POSITION
		APPLICATION SPEC -	SIZE A3
		WEIGHT -	CAGE CODE 00779
		CUSTOMER DRAWING	DRAWING NO C-1761612
		SCALE -	RESTRICTED TO -
		SHEET 2 OF 3	REV A2

THIS DRAWING IS UNPUBLISHED. RELEASED FOR PUBLICATION 20
 © COPYRIGHT 20 BY TYCO ELECTRONICS CORPORATION, ALL RIGHTS RESERVED.

LOC	DIST	REVISIONS			
P	LTR	DESCRIPTION	DATE	DWN	APVD
DY	-	SEE SHEET 1	-	-	-



4 5 BOARD PATTERN
SCALE 3:1



PLUG INTERFACE
SCALE 8:1

<small>THIS DRAWING IS A CONTROLLED DOCUMENT FOR TYCO ELECTRONICS CORPORATION IT IS SUBJECT TO CHANGE AND THE CONTROLLING ENGINEERING ORGANIZATION SHOULD BE CONTACTED FOR THE LATEST REVISION.</small>		DWN P BRANDBERG 18 JAN 05 CHK D WERTZ 20 JAN 05 APVD D WERTZ 20 JAN 05			
DIMENSIONS: mm 		TOLERANCES UNLESS OTHERWISE SPECIFIED: 0 PLC ±0.3 1 PLC ±0.10 2 PLC ±0.050 3 PLC ±0.050 4 PLC ANGLES ±2°		NAME STEP-Z, PLUG ASSEMBLY, 104 SIGNAL POSITION	
MATERIAL -		FINISH -		APPLICATION SPEC - WEIGHT - SIZE A3 CAGE CODE 00779 DRAWING NO C-1761612	
CUSTOMER DRAWING				SCALE -	RESTRICTED TO -
				SHEET 3 OF 3	REV A2

Mouser Electronics

Authorized Distributor

Click to View Pricing, Inventory, Delivery & Lifecycle Information:

[TE Connectivity:](#)

[6-1761612-5](#)